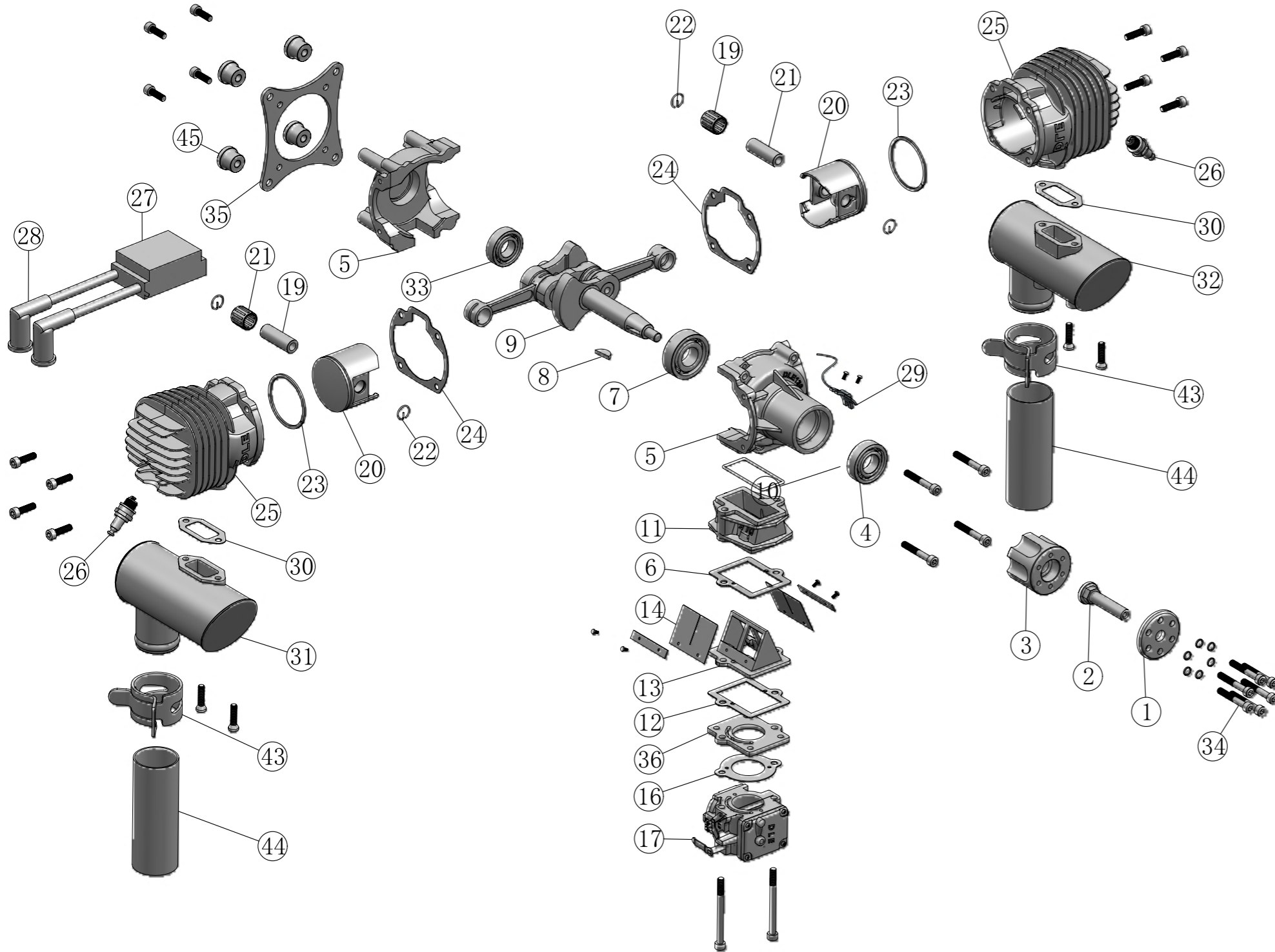


DLE130

DLE130



| 名称/Parts Name | 订货号 Order NO. | 图号 Included Parts | 数量 Unit | |
|---------------|----------------------------|----------------------|---------------|------|
| 螺旋桨压片 | Propwasher | 21500030 | 1 | 1pcs |
| 桨轴螺丝 | Prop bolts | 21510020 | 2 | 1pcs |
| 桨毂 | Propeller hub | 21500029 | 3 | 1pcs |
| 轴承6003 | Bearing 6003 | 22040016 | 4 | 1pcs |
| 曲轴箱 | Crankcase | 22010036 | 5 | 1pcs |
| 轴承6203 | Bearing 6203 | 22040019 | 7 | 1pcs |
| 半圆键 | Woodruff key | 22050002 | 8 | 1pcs |
| 曲轴组件 | Crankshaft | 21020026 | 9 | 1pcs |
| 密封圈 | Sealing ring | 23110013 | 10 | 1pcs |
| 垫片一套 | Gasket set assembly | 29020015 | 6、12、16、24、30 | 1pcs |
| 化油器隔热块 | Carburetor heat block | 21100016 | 11 | 1pcs |
| 进气阀组件 | Admission valve | 29070005 | 13、14 | 1pcs |
| 进气阀片 | Admission valve plate | 26020009 | 14 | 2pcs |
| 化油器 | Carburetor | 21080009 | 17 | 1pcs |
| 滚针轴承 | Needle bearing | 22040038 | 19 | 1pcs |
| 活塞组件 | Piston assembly | 29030009 | 20、21、22 | 1set |
| 活塞销 | Piston pin | 21510014 | 21 | 1pcs |
| G型卡簧 | G Clamp | 22080006 | 22 | 1set |
| 活塞环 | Piston ring | 21070008 | 23 | 1pcs |
| 汽缸 | Cylinder | 21040017 | 24、25 | 1pcs |
| 火花塞 | Spark plug | 24040004 | 26 | 1pcs |
| 高压帽 | Spark plug cap | 24010002 | 27 | 1set |
| 2#点火器 | 2# Ignition | 24050002 | 27、28、29 | 1pcs |
| 传感器 | Sensor | 24070005 | 29 | 1pcs |
| 单孔排气管组件 | Muffler assembly(one hole) | 29050032 | 30、31、43、44 | 1pcs |
| 双孔排气管组件 | Muffler assembly(two hole) | 29050033 | 30、32、43、44 | 1pcs |
| 轴承6002 | Bearing 6002 | 22040015 | 33 | 1pcs |
| 全套螺钉 | Screws(outfit) | 29080018 | 34 | 1pcs |
| 发动机底座 | Engine base | 21560005 | 35 | 1pcs |
| 化油器底座 | Carburetor base | 21100015 | 36 | 1pcs |
| Ø38卡箍 | Φ38 Clamp | 22070030 | 43 | 1pcs |
| Ø38四氟管 | Φ38 PTFE tube | 22050028 | 44 | 1pcs |
| 铝柱支架 | Engine mount | 21560009 | 45 | 1set |