



MINI-T

Setup Sheet

Track: _____

Driver: "Standard" Oil Shocks

Date: 1-21-04

- | | | |
|----------------------------------|--|--------------------------------------|
| <input type="checkbox"/> Indoor | <input type="checkbox"/> Asphalt | <input type="checkbox"/> Slippery |
| <input type="checkbox"/> Outdoor | <input type="checkbox"/> Carpet | <input type="checkbox"/> High-Bite |
| <input type="checkbox"/> Smooth | <input type="checkbox"/> Dirt | <input type="checkbox"/> Blue-Groove |
| <input type="checkbox"/> Rough | <input type="checkbox"/> Tight / <input type="checkbox"/> Open | |

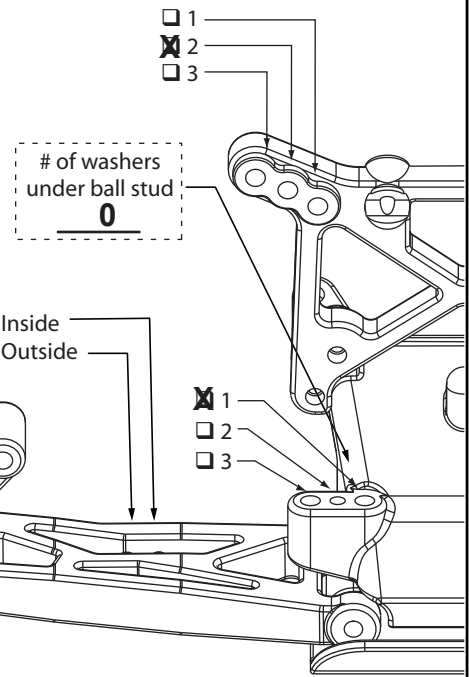
FRONT SUSPENSION (Circle or Check the Appropriate Settings)

Toe In 0 °
 Out _____ °

Ride Height Arms just above level

Camber - 1 °
 + _____ °

of washers under steering / tie-rod ball stud
Spindle ball stud: 0
Bellcrank ball stud: 0



Front Shocks Type: Friction / Oil Filled
Oil Weight: Losi 20wt
Piston: 3 hole Standard / Drilled
Spring: Pink Type: Losi / Other
Limiters: Inside- _____ Outside- _____

REAR SUSPENSION

Toe-In Inside Stock °
 Outside _____ °

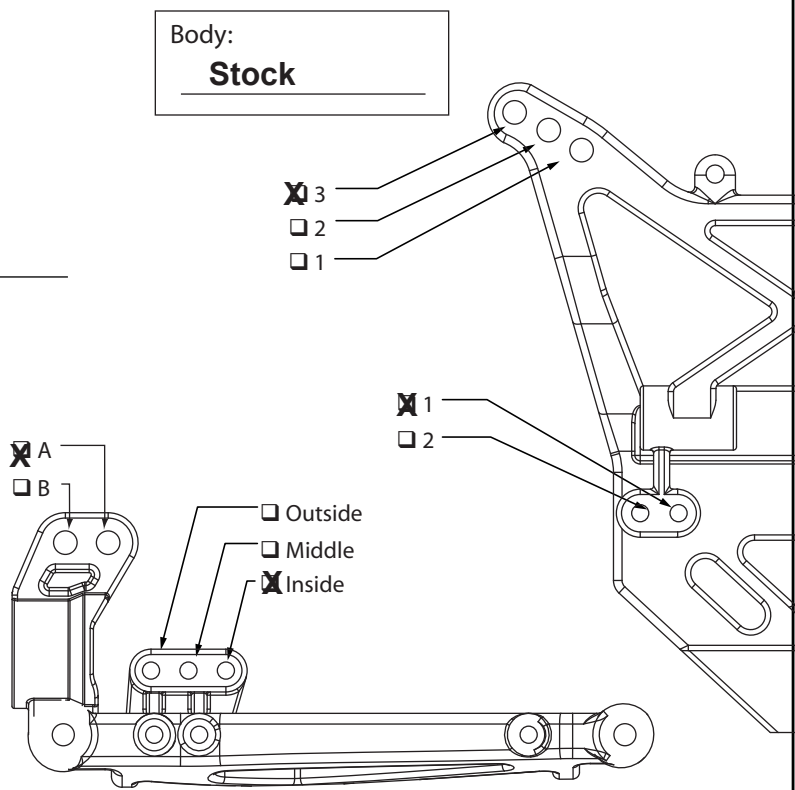
Ride Height Dogbones level

Camber - 1 °
 + _____ °

Drive Shafts Dogbones
 CVDs

Sway Bar No
 Yes size _____

Differential Type:
 Standard Gear
 Ball Differential



Rear Shocks Type: Friction / Oil Filled
Oil Weight: Losi 20wt
Piston: 2 hole Standard / Drilled
Spring: Silver Type: Losi / Other
Limiters: Inside- _____ Outside- _____

Tires
Front: Stock
Rear: Stock

Electronics Standard / Other
Servo: _____ Receiver: _____
Speed Controller: _____
Battery: _____

Motor: stock Pinion/Spur: 14/ 60
Battery Position: _____

Notes: _____