

| | | |
|--------------------------|-------------------------|---|
| Name: <u>Reno Savoya</u> | Date: <u>24/02/2018</u> | Event: <u>Dirt Nitro Challenge 2018</u> |
| City: <u>Lyon</u> | State: <u>France</u> | Track: <u>AZRC Raceway</u> |

Track Conditions: Indoor Tight Smooth Hard Packed Blue Groove Wet Low Bite High Bite
 Outdoor Open Rough Loose/Loamy Dry Dusty Med Bite Other ^{10°C}

Front Suspension

Toe: -2 degrees

Ride Height: 25 mm

Camber: -2 degrees

Caster: stock

Spindle Height: High Low

Wheel Hex: stock

Sway Bar: 2,3

Piston/Oil: 5x1,4 - 40wt

Shock Type: Bladder Emulsion

Spring: EVO purple

Limiters/Droop: 104mm

Overall Shock Length: _____

Steering Ackerman: short

Bump Steer: 0mm on spindle / up

Camber Link: 2

Shock Location: 3 / inside

Battery Location: Forward Aft

Differentials

Front: Standard Smart

Spring Wire Dia.: _____

Qty of Springs: _____

Ramp Plate: _____

Grease: _____

Diff Fluid: 10 000 wt

Center: Standard Smart

Location: 0-Degree 4.4-Degree

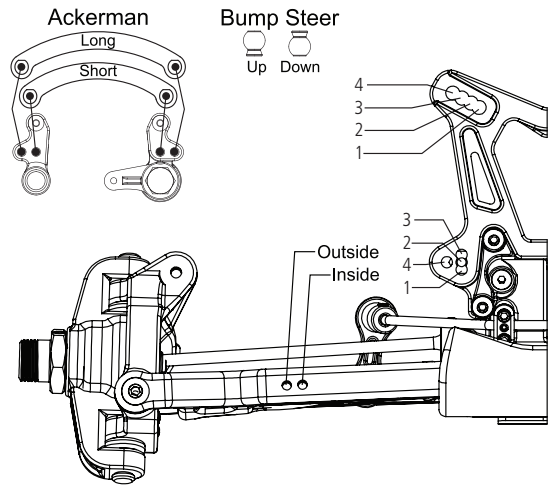
Spring Wire Dia.: _____

Qty of Springs: _____

Ramp Plate: _____

Grease: _____

Diff Fluid: 15 000 wt



Notes: 1 down inserts on both toe blocks
Caster blocks all the way back

Rear Suspension

Roll Center: HRC LRC

Toe: 3 degrees (0 bushing)

Anti-Squat: 2.5 degrees (bushing 1 down with #LOSA1759 toe block)

Ride Height: 30 mm

Camber: -3 degrees

Rear Hub Spacing: hub maximum back +2mm shims

Wheel Hex: 0

Sway Bar: 2,3 mm

Piston/Oil: 5x1,5mm - 45wt

Shock Type: Bladder Emulsion

Spring: EVO yellow

Limiters/Droop: 114mm

Overall Shock Length: _____

Camber Link: B / 1

Shock Position: 3 / inside

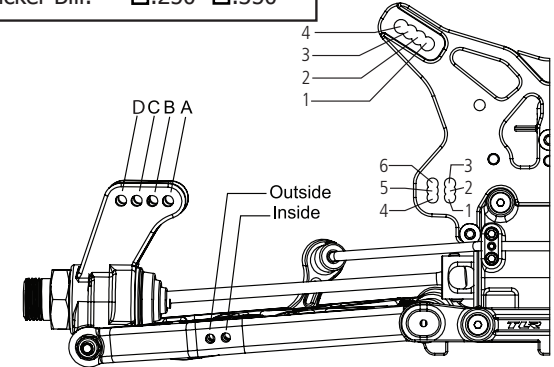
Rear Diff Fluid: 3 000 wt

Wing Setup

Wing Type: 2.0 3.0

Wing Spacer: .250 .500

Wicker Bill: .250 .350



Notes: TLR wing
TLR344008 hubs with highest position

Electronics

Radio: Spektrum DX4R Pro

Servo: Highest D1000

ESC: RC Concept prototype

Initial Brake: 30%

Drag Brake: 0

Throttle Profile: linear

Timing Advance: 0

Throttle/Brake Expo: 0

Throttle/Brake EPA: 82% EPA throttle / 60% EPA brake

Servo Expo: 0

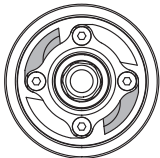
Motor: 2500kv

Pinion: 15

Spur: 45

Battery: RC Concept Omega 8000

Clutch Clutch Shoes and Springs Info

 no clutch

Tires

| Type | Compound | Insert |
|--------------------------------|--------------|------------------|
| Front: <u>JConcepts Kosmos</u> | <u>Green</u> | <u>Dirt Tech</u> |
| Rear: <u>JConcepts Kosmos</u> | <u>Green</u> | <u>Dirt Tech</u> |

Notes: _____