



SETUP SHEET



Name: _____

City: _____ State: _____

Front Suspension

Toe: _____

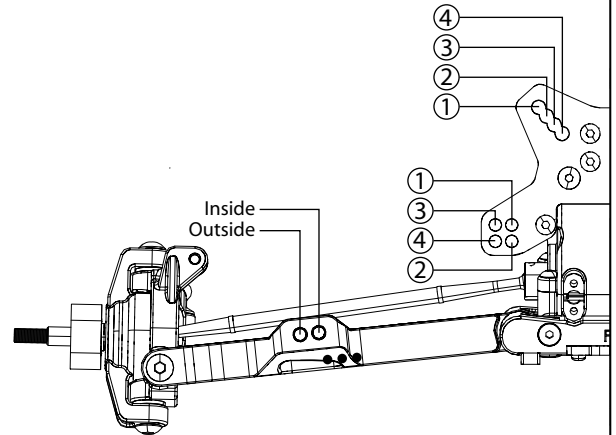
Ride Height: _____

Caster: _____

Piston/Oil: _____

Camber Link: _____

Shock Location: _____



Notes: _____

Rear Suspension

Toe: _____

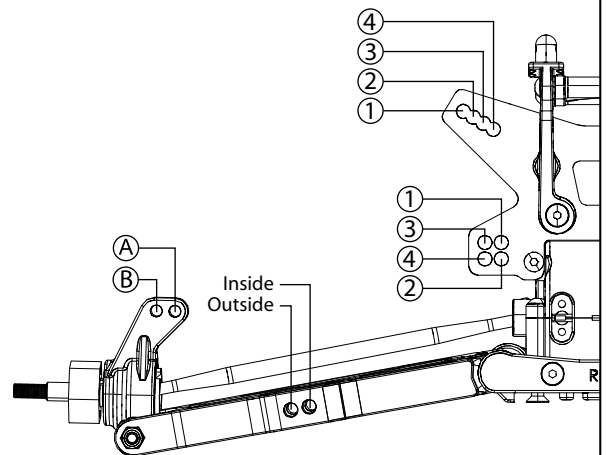
Ride Height: _____

Rear Hub Spacing: _____

Piston/Oil: _____

Camber Link: _____

Shock Location: _____



Notes: _____

Electronics

Motor: _____

ESC: _____

Battery: _____ Gearing: _____

Optimal Battery: _____

Notes
