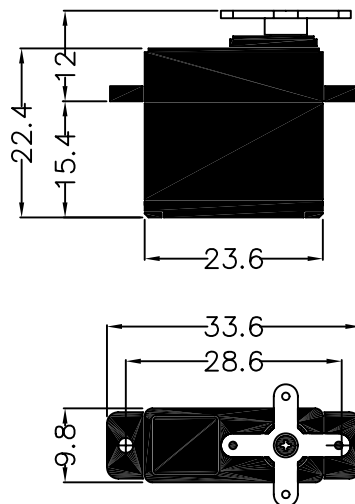


GENERAL SPECIFICATION OF HS-45HB KARBONITE GEAR FEATHER SERVO

1. TECHNICAL VALUE

CONTROL SYSTEM	: +PULSE WIDTH CONTROL 1500usec NEUTRAL
OPERATING VOLTAGE RANGE	: 4.8V
OPERATING TEMPERATURE RANGE	: -20°C TO +60°C (-4°F TO +140°F)
TEST VOLTAGE	: AT 4.8V
OPERATING SPEED	: 0.14sec/60° AT NO LOAD
STALL TORQUE	: 1.0kg.cm(13.88oz.in)
IDLE CURRENT	: 8mA AT STOPPED
RUNNING CURRENT	: 100mA/60° AT NO LOAD
STALL CURRENT	: 440mA
DEAD BAND WIDTH	: 5usec
OPERATING TRAVEL	: 40°/ONE SIDE PULSE TRAVELING 400usec
DIRECTION	: CLOCK WISE/PULSE TRAVELING 1500 TO 1900usec
ROTATIONAL LIFE	: 20,000cycle MIN/0.3kg.cm LOADED
GEAR STRENGTH	: 3.0kg.cm(41.66oz.in) MIN
MOTOR TYPE	: CORED METAL BRUSH
POTENTIOMETER TYPE	: 2 SLIDER/DIRECT DRIVE
AMPLIFIER TYPE	: ANALOG SMT
DIMENSIONS	: 23.6x9.8x22.4mm(0.92x0.38x0.88in)
WEIGHT	: 8g(0.28oz)
BALL BEARING	: SINGLE/MR74
GEAR MATERIAL	: KARBONITE RESIN
HORN GEAR SPLINE	: 15 SEGMENTS/φ4
SPLINED HORNS	: FEATHER/FS-X, FS-IS, FS-IL, FS-IXL
CONNECTOR WIRE LENGTH	: 250mm(9.84in)
CONNECTOR WIRE STRAND COUNTER	: 20 EA
CONNECTOR WIRE GAUGE	: 28AWG



2. FEATURES

HIGH IMPACT GEARS WITH ONE BALL BEARING
SLIM SIZE CASE WITH 2mm THICK MOUNT SUPPORT

3. APPLICATIONS

FAST PARK FLYING MODELS. ELECTRIC MICRO PLANE, MAV