

Name: Kit Setup - 22 5.0 DC Elite	Date: 2019	Event: Kit Setup
City:	State:	Track:

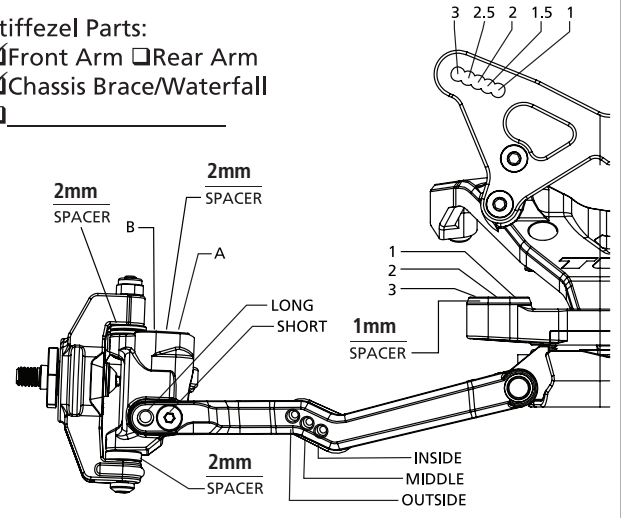


Track Dirt Carpet Tight Smooth Hard Packed Dry Grip Level: Low Medium High
 Conditions: Clay Astro Turf Open Rough Loamy Wet Tread Level: Pin Ghost Pin Slicks

Front Suspension

Toe: +/- 0 Deg _____ Camber: -1 Deg _____
 Ride Height: 22mm (Body On) _____ Caster Block: 0° 5°
 Kick Shim(s): 2mm 1mm Wedge(20°) Other: _____
 VLA Setting: Short Arm Long Arm _____
 Front Pivot: Alum Composite Brass _____
 Pivot Height: SLRC LRC MRC HRC _____
 Piston: 2 x 1.6mm TLR233036 _____ Oil: 32.5 Wt _____
 Limiters: Internal: 1mm _____ External: _____ Stroke: 22.0mm _____
 Shock Eyelet: Std. +2 Shock Location: 2 - Outside _____
 Spring: LF Green TLR233047 _____ Sway Bar: N/A _____
 Spindle Steering Arm: 4 5 6 _____
 Spindle Ball Stud: Standard Low Spacers: 1mm _____
 Draglink Ball Stud: Standard Low Spacers: _____
 Axle Spacing: 0 +.5mm +1mm _____
 Trail: 2mm 3mm 4mm _____
 Camber Link, Inner: 1 2 3 Outer: A B _____
 Tower: Stiffezel Carbon Carbon +2mm _____
 Mud Guard: Soft Standard Stiffezel _____
 Front Wheels: Standard Stiffezel _____
 Front Wing: Low High Narrow High Wide _____

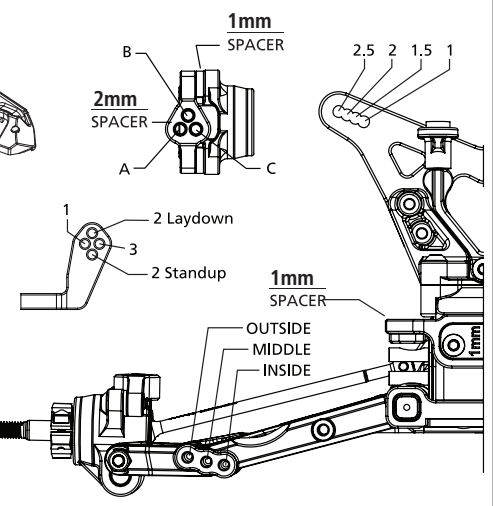
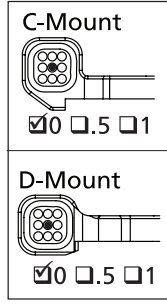
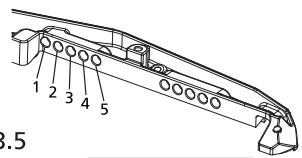
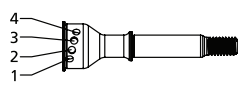
Stiffezel Parts:
 Front Arm Rear Arm
 Chassis Brace/Waterfall



Notes: _____

Rear Suspension

Configuration: Laydown Standup _____
 Diff. Height: 0 +1 +1.75 +2.5 +3.5 _____
 Axle Height: 0 +1 +2 +3 +4 _____
 Ride Height: 21mm (Body On) _____ Camber: -1 Deg _____
 Hub Spacing: 1.5mm Fr 1.5mm Rr Hex Width: Std. _____
 Piston: 1.6/1.7 Split TLR233037 _____ Oil: 27.5 Wt _____
 Spring: LF White TLR233056 _____ Sway Bar: _____
 Limiters: Internal: 0mm _____ External: 0mm _____ Stroke: 28.5mm _____
 Shock Eyelet: Std. +2 Shock Location: 2 - Middle _____
 Shock Mounting: Front Rear Shaft Dia.: 3.0 3.5 _____
 Tower: Stiffezel Carbon Carbon +2mm _____
 Camber Block Spacer: 1mm 0mm 1mm _____
 Camber Link, Inner: 1 2 3 _____
 Camber Link, Outer: A B C _____
 Battery Position: 1 2 3 4 5 _____
 Wing/Wickerbill: TLR 6.5" 2nd Line _____
 Wing Angle: 0° 2° 4° Wing Height: Std _____
 Diff Type: Ball Gear Setting: 3/4 Revolution _____
 Gear Diff Gears: Composite Steel Planet Gears: 2 4 _____
 Driveshaft Length: CVA Universal Length: 67mm _____
 CV Pin Position: 1 2 3 4 _____
 Direct Drive Slipper Pads: Torque (yel) Drive (org)



Electronics

Timing Advance: _____
 Radio: _____ Steering Expo: _____
 Servo: _____ Throttle/Brake EPA: _____
 ESC: _____ Motor: _____
 Initial Brake: _____ Pinion: _____ Spur: _____
 Drag Brake: _____ Battery: _____
 Throttle Profile: _____ Battery Weight: _____

Tires

	Front	Rear
Thread:	_____	_____
Compound:	_____	_____
Insert:	_____	_____
Sauce:	_____	_____
Notes:	_____	

Chassis

Electronics Plate _____
 Brass, 36g
 Carbon

 Battery Plate 19g 26g 37g _____
 Rear Ballast 16g 25g
 C-Pivot Block Brass, 20g Aluminum
 Total Weight: _____
 FR: _____% RR: _____%