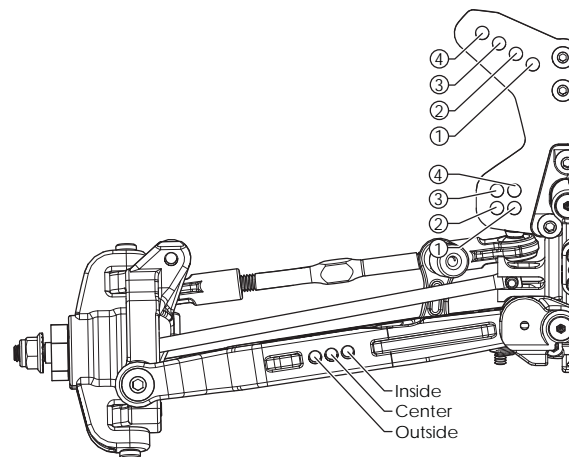


Name: _____		Date: _____	Event: _____
City: _____		State: _____	
Track: _____			
Track Conditions: <input type="checkbox"/> Indoor <input type="checkbox"/> Tight <input type="checkbox"/> Smooth <input type="checkbox"/> Hard Packed <input type="checkbox"/> Blue Groove <input type="checkbox"/> Wet <input type="checkbox"/> Grass <input type="checkbox"/> Low Bite <input type="checkbox"/> High Bite <input type="checkbox"/> Outdoor <input type="checkbox"/> Open <input type="checkbox"/> Rough <input type="checkbox"/> Loose/Loamy <input type="checkbox"/> Dry <input type="checkbox"/> Dusty <input type="checkbox"/> Astro Turf <input type="checkbox"/> Med Bite <input type="checkbox"/> Other _____			

Front Suspension

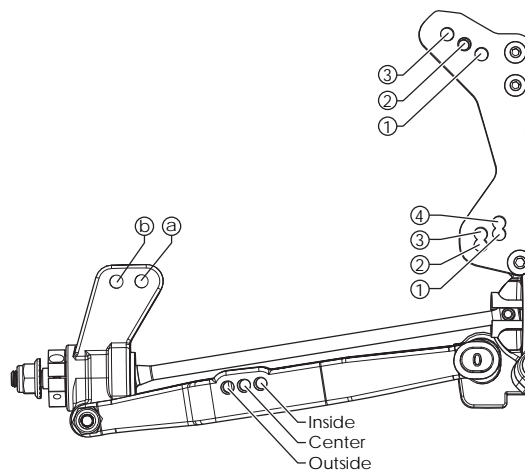
Toe: _____
 Ride Height: _____
 Camber: _____
 Steering Ackerman: _____
 Sway Bar: _____
 Shock Type: Bladder Emulsion Oil: _____
 Piston: _____
 Spring: _____
 Limiter/Droop: _____
 Overall Shock Length: _____
 Shock Location: _____
 Bump Steer: _____
 Camber Link: _____
 Front Diff Fluid: _____
 Center Diff Fluid: _____



Notes: _____

Rear Suspension

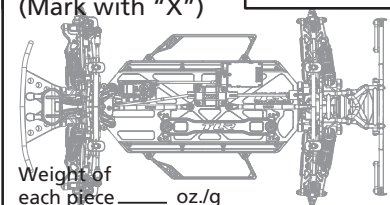
Toe: _____
 Anti-Squat: _____
 Ride Height: _____
 Camber: _____
 Rear Hub Spacing: _____
 Sway Bar: _____
 Shock Type: Bladder Emulsion Oil: _____
 Piston: _____
 Spring: _____
 Limiter/Droop: _____
 Camber Link: _____
 Shock Locations: _____
 Overall Shock Length: _____
 Rear Diff Fluid: _____
 Battery Position: _____



Electronics

Radio: _____ Timing Advance: _____
 Servo: _____ Throttle/Brake Expo: _____
 ESC: _____ Servo Expo: _____
 Initial Brake: _____ Throttle/Brake EPA: _____
 Drag Brake: _____ Motor: _____
 Throttle Profile: _____ Pinion: _____ Spur: _____
 Battery: _____

Weight Placement (Mark with "X")



Weight of each piece _____ oz./g

	Compound	Insert	Additive
Tires Front: _____	_____	_____	_____
Tires Rear: _____	_____	_____	_____
Notes: _____	_____		