



SETUP SHEET



Name: Mini 8IGHT-T

City:

State:

Front Suspension

Toe: 0 degree

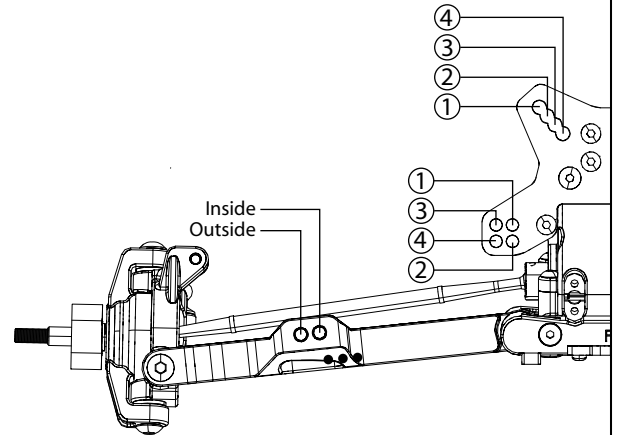
Ride Height: 29.5mm

Caster: Stock

Piston/Oil: 3-hole piston/30 wt

Camber Link: Position 2

Shock Location: Position 2/Inside



Notes: _____

Rear Suspension

Toe: 3 degrees

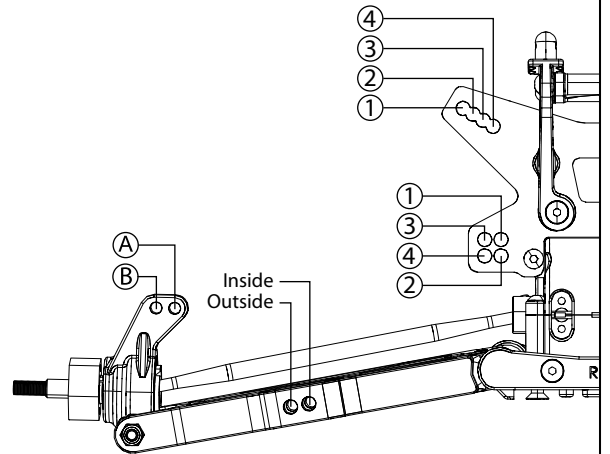
Ride Height: 24.5mm

Rear Hub Spacing: Stock

Piston/Oil: 3-hole piston/25 wt

Camber Link: Position 2-B

Shock Location: Position 3/Inside



Notes: _____

Electronics

Motor: Fuze 4500Kv

ESC: Fuze Mini Brushless Waterproof ESC

Battery: 1200mAh 7.2V Ni-MH Gearing: 62T/12T

Optimal Battery: 2000mAh 7.4V 2S Li-Po

Notes
