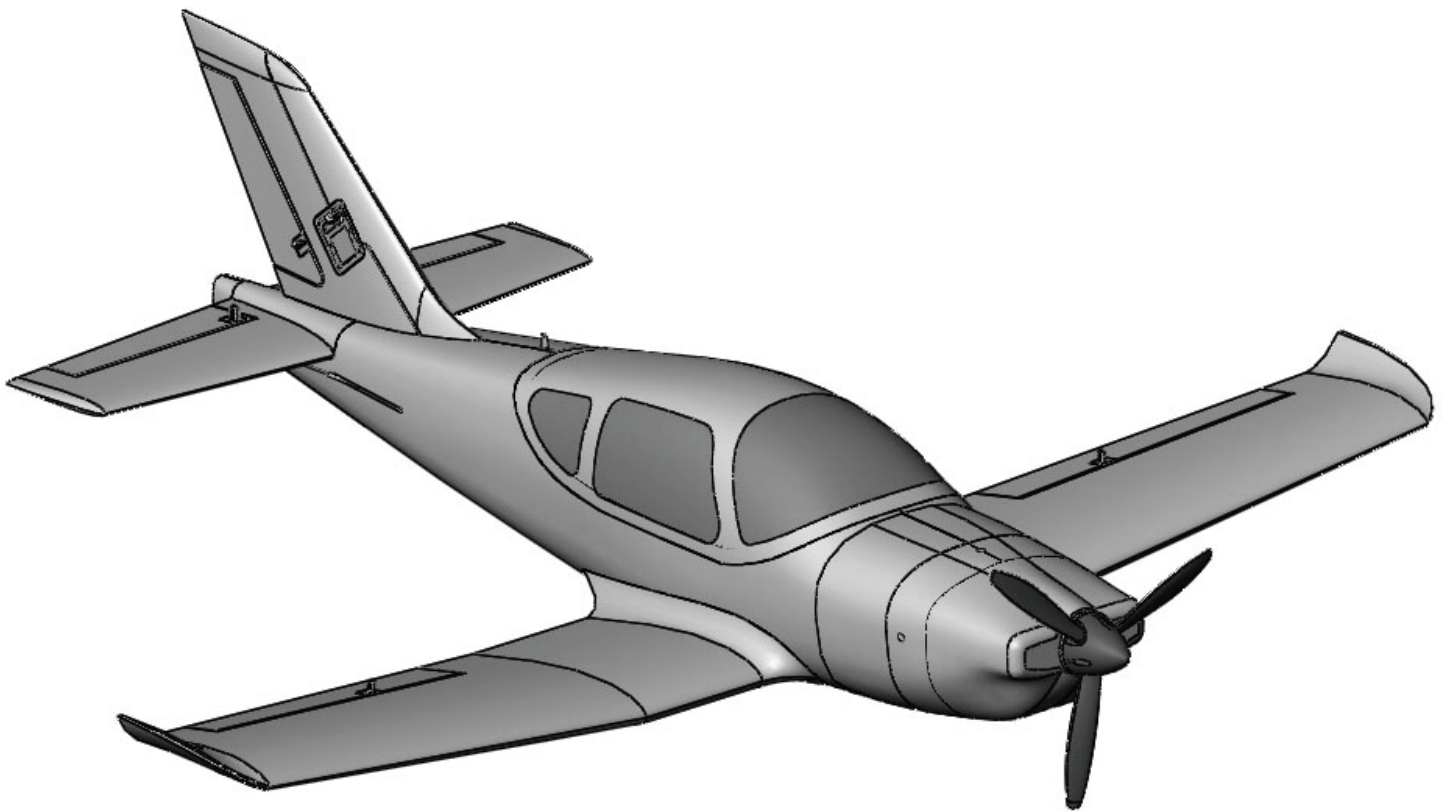


1220MM Falcon

Assembly Manual



1. Specifications

Material: EPO

Wing Span: 1220mm

Length :1080mm

Motor: 3536/KV1250 BL Outrunner Motor

Propeller: 10x6 3-blade

R/C:4-5CH

Servos:9gX6 PCS

Box Contents			
Fudelage	1pcs	Propeller	1pcs
Main wing/L	1pcs	Spinner	1pcs
Main wing/R	1pcs	Wing spar	1pcs
Horizontal tail	1pcs	Assembly manual	1pcs
Rudder	1pcs		

2. Safety Precautions

Safety Precautions and Warnings

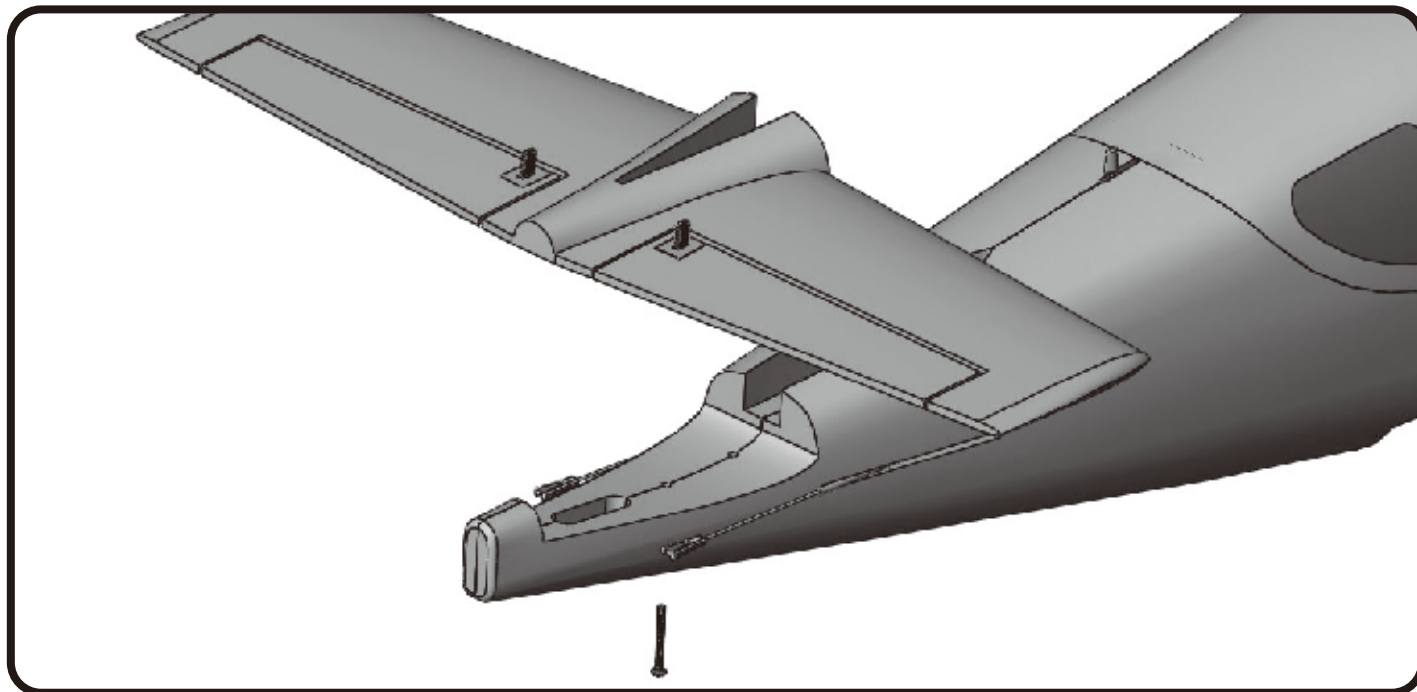
As the user of this product, you are solely responsible for operating in a manner that does not endanger yourself and others or result in damage to the product or the property of others. This model is controlled by a radio signal subject to interference from many sources outside your control. This interference can cause momentary loss of control so it is advisable to always keep a safe distance in all directions around your model, as this margin will help avoid collisions or injury.

Age Recommendation: Not for children under 14 years. This is not a toy.

- Never operate your model with low transmitter batteries.
- Always operate your model in an open area away from cars, traffic or people.
- Avoid operating your model in the street where injury or damage can occur.
- Never operate the model in the street or in populated areas for any reason.
- Carefully follow the directions and warnings for this and any optional support equipment you use (chargers, rechargeable battery packs, etc.)
- Keep all chemicals, small parts and anything electrical out of the reach of children.
- Moisture causes damage to electronics. Avoid water exposure to all equipment not specifically designed and protected for this purpose.
- Never lick or place any part of your model in your mouth as it could cause serious injury or even death.

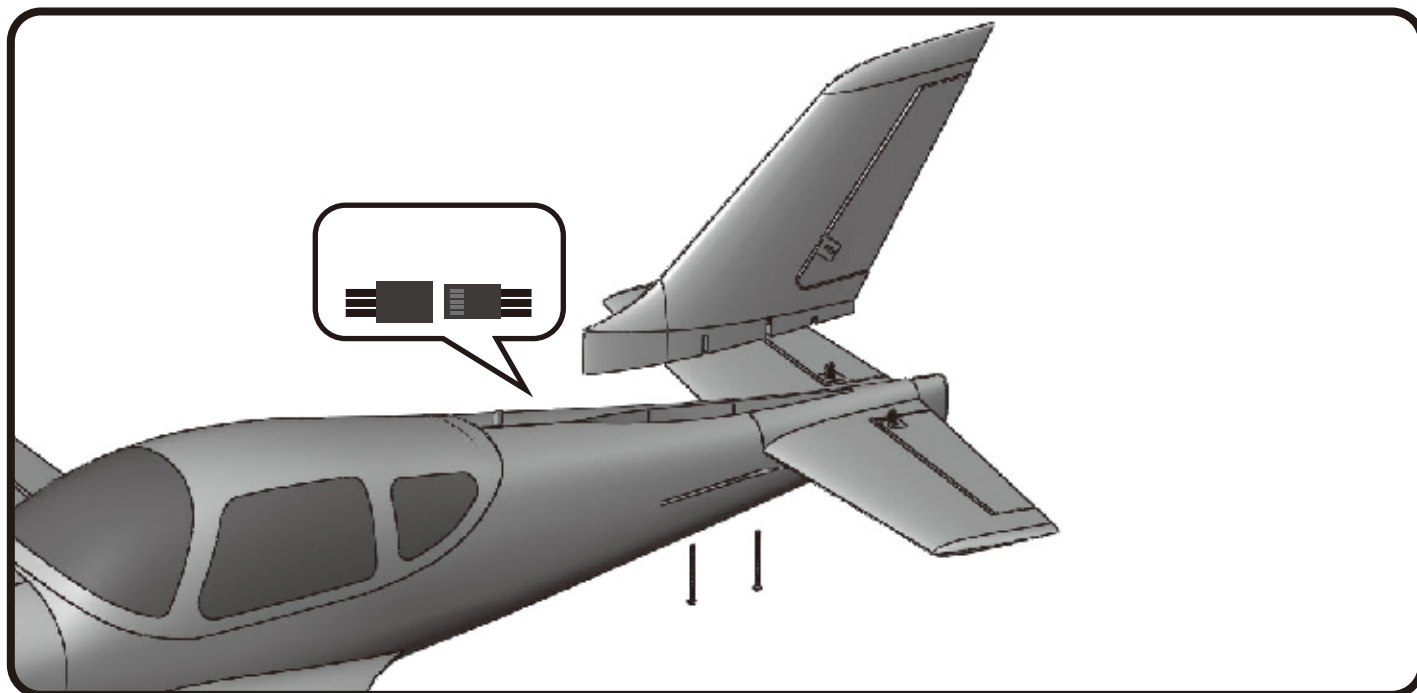
2. Assembly

1) Install the horizontal tail as Fig.1



X 1pcs

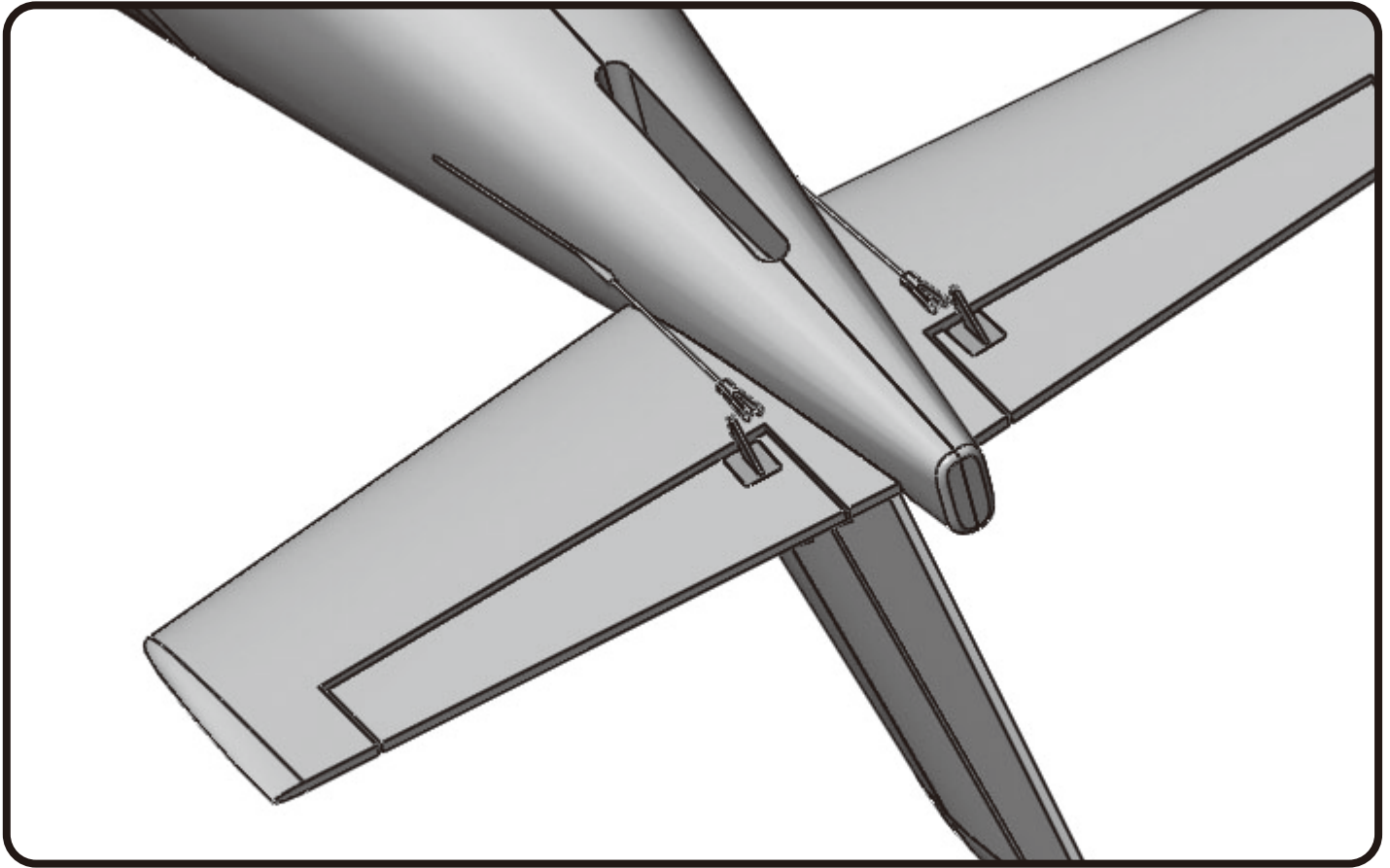
2) Install the vertical fin rudder as Fig.2



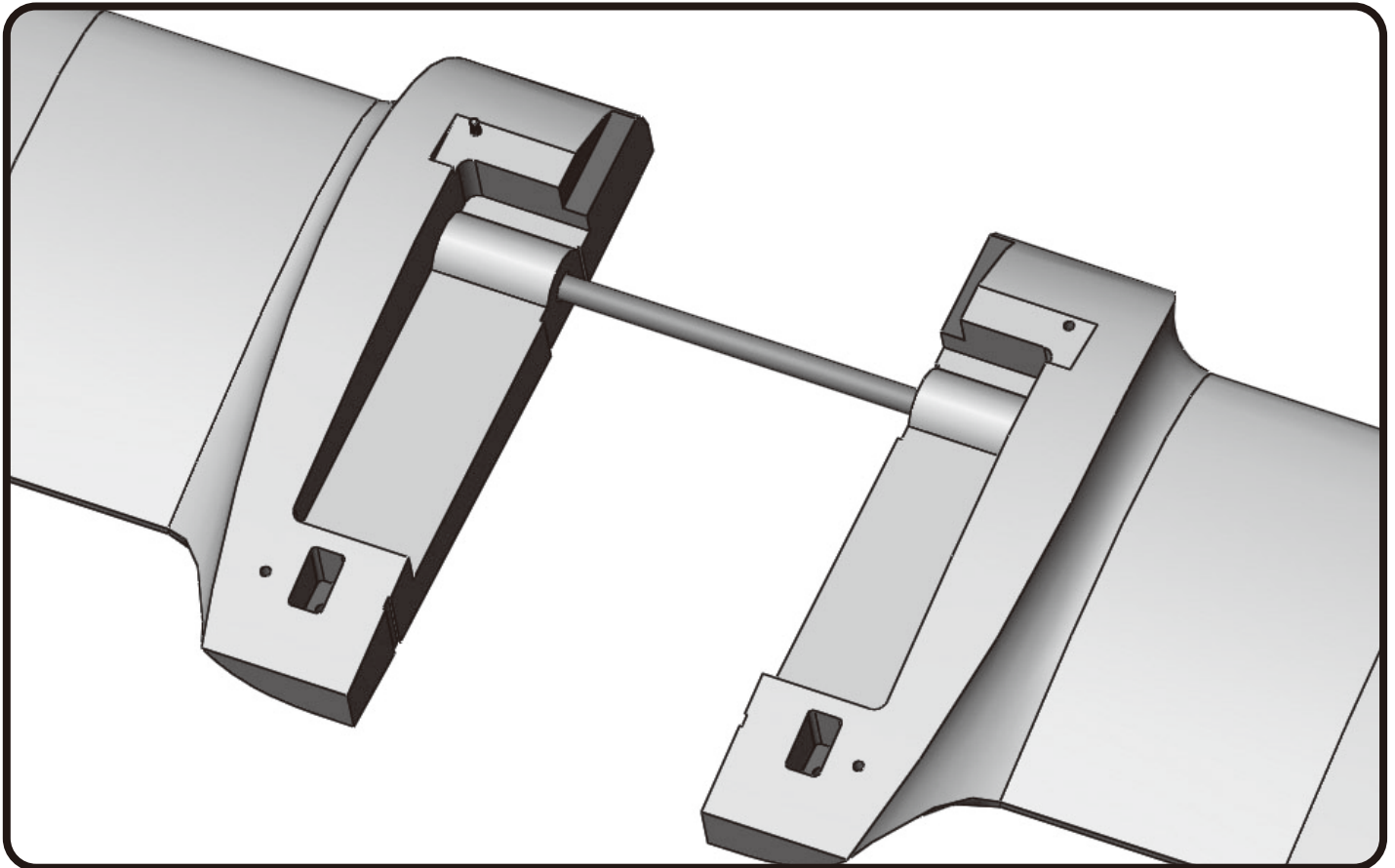
X 2pcs

2. Assembly

3) Install the elevator push-rod as Fig.3

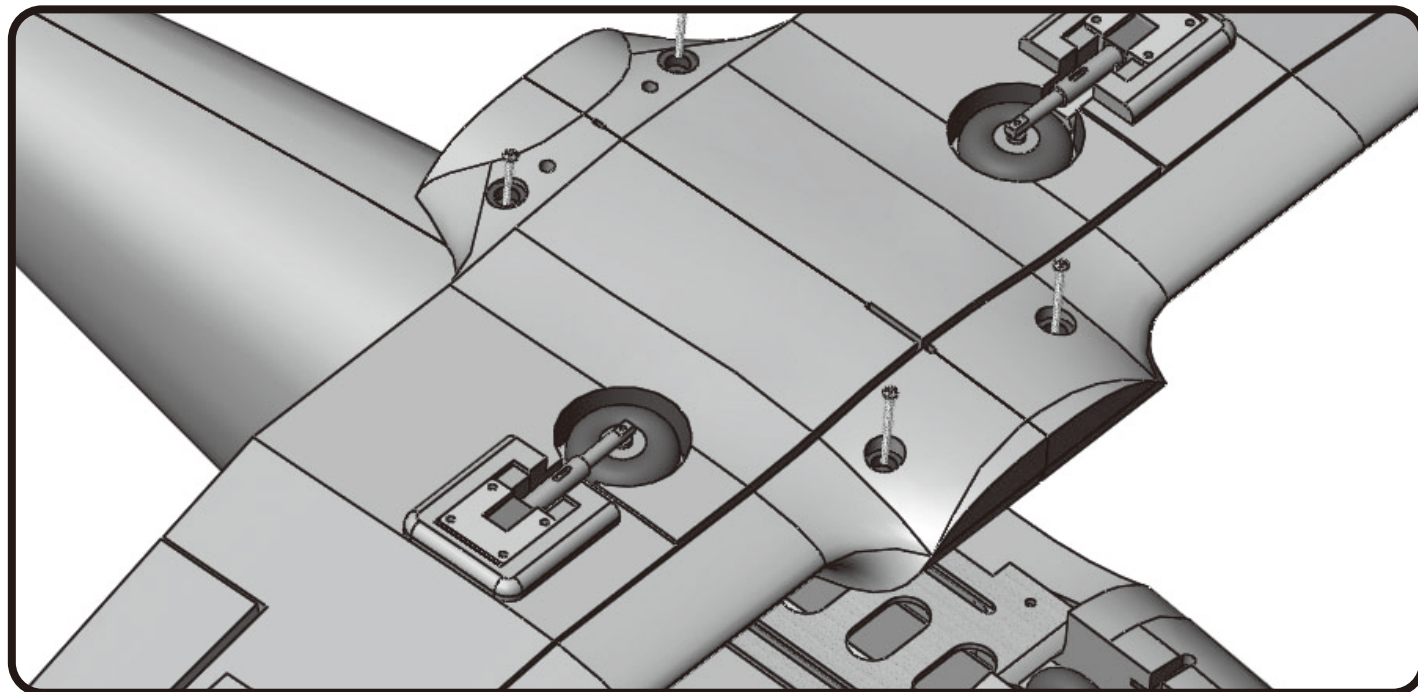


4) Slide the wing tube into the wing holes. Connect the wing together as Fig.4



2. Assembly

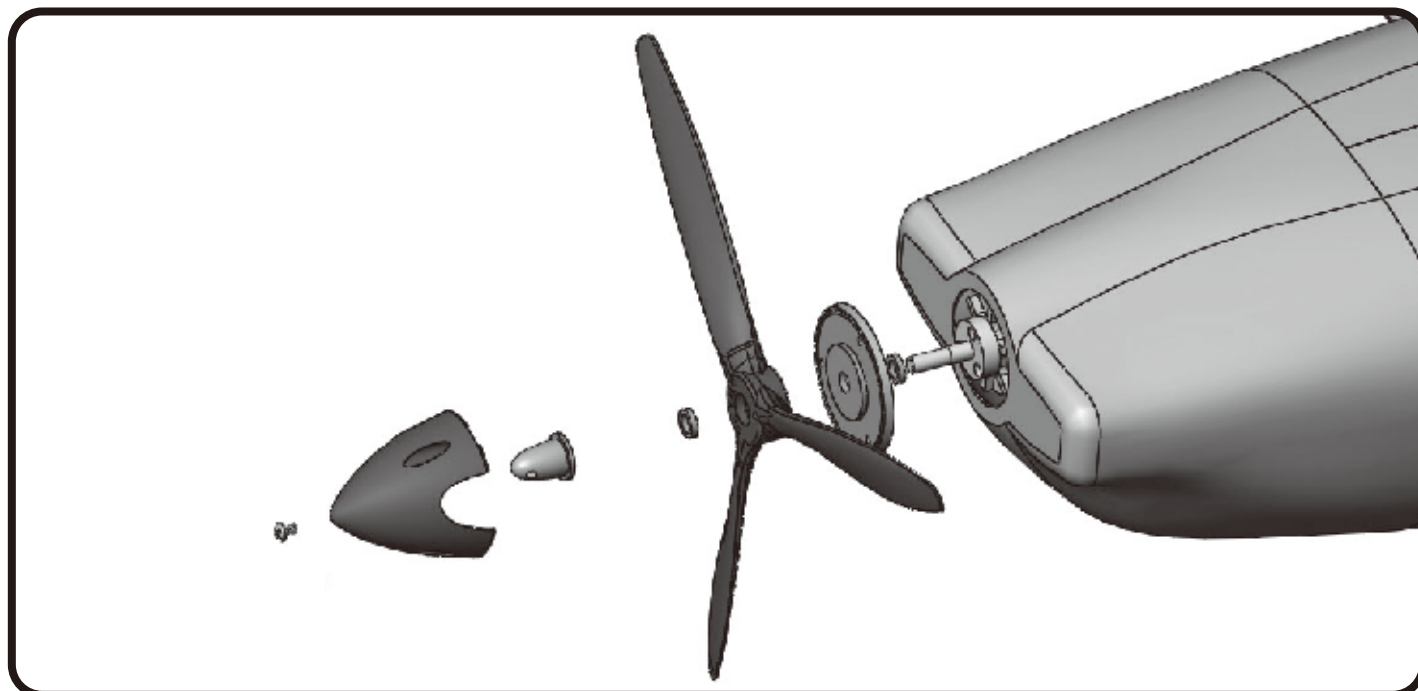
5) Install the wing on fuselage Fig.5



PM3.0*40

X 4pcs

6) Install the proeller Fig.6

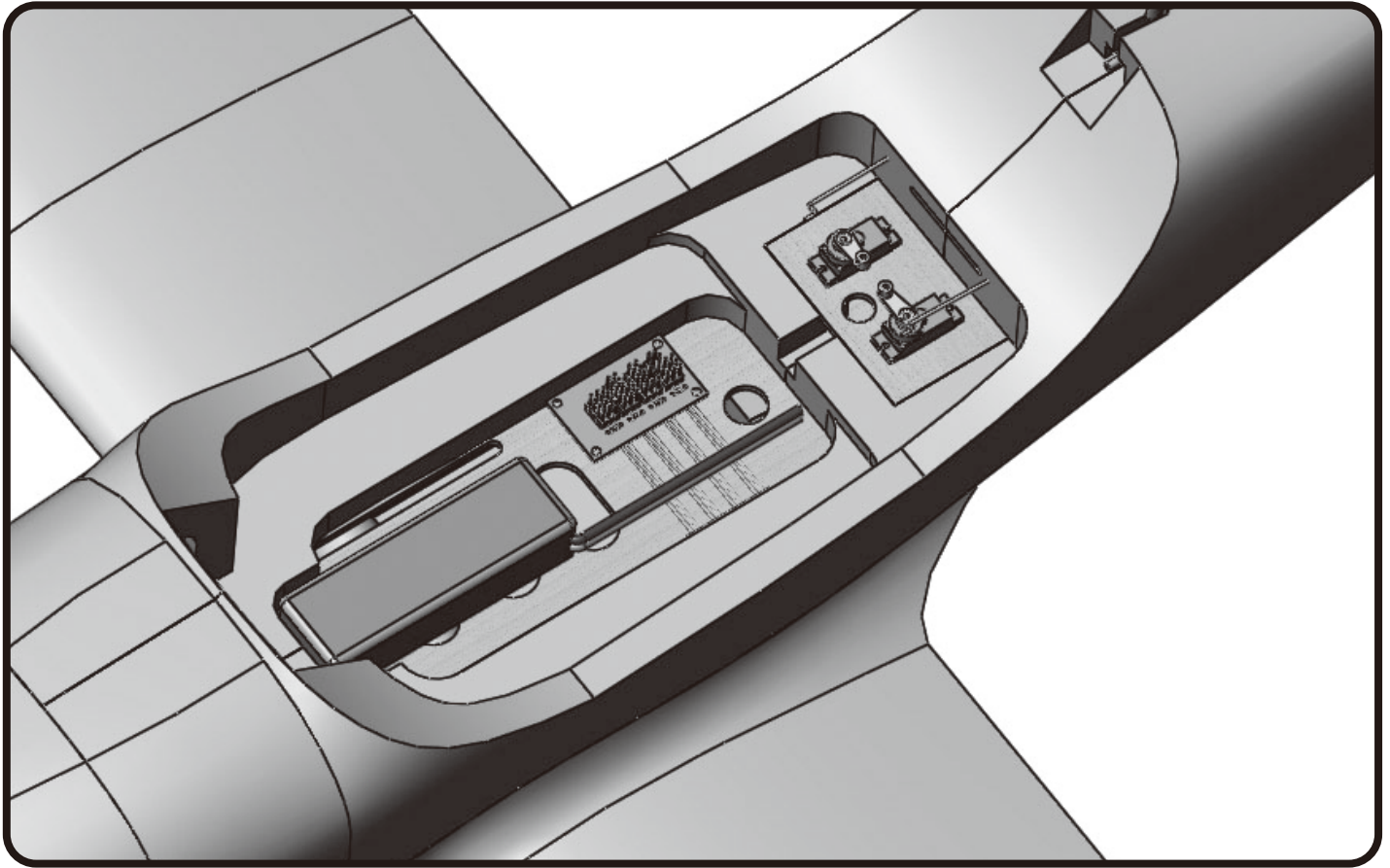


HKM3.0*10

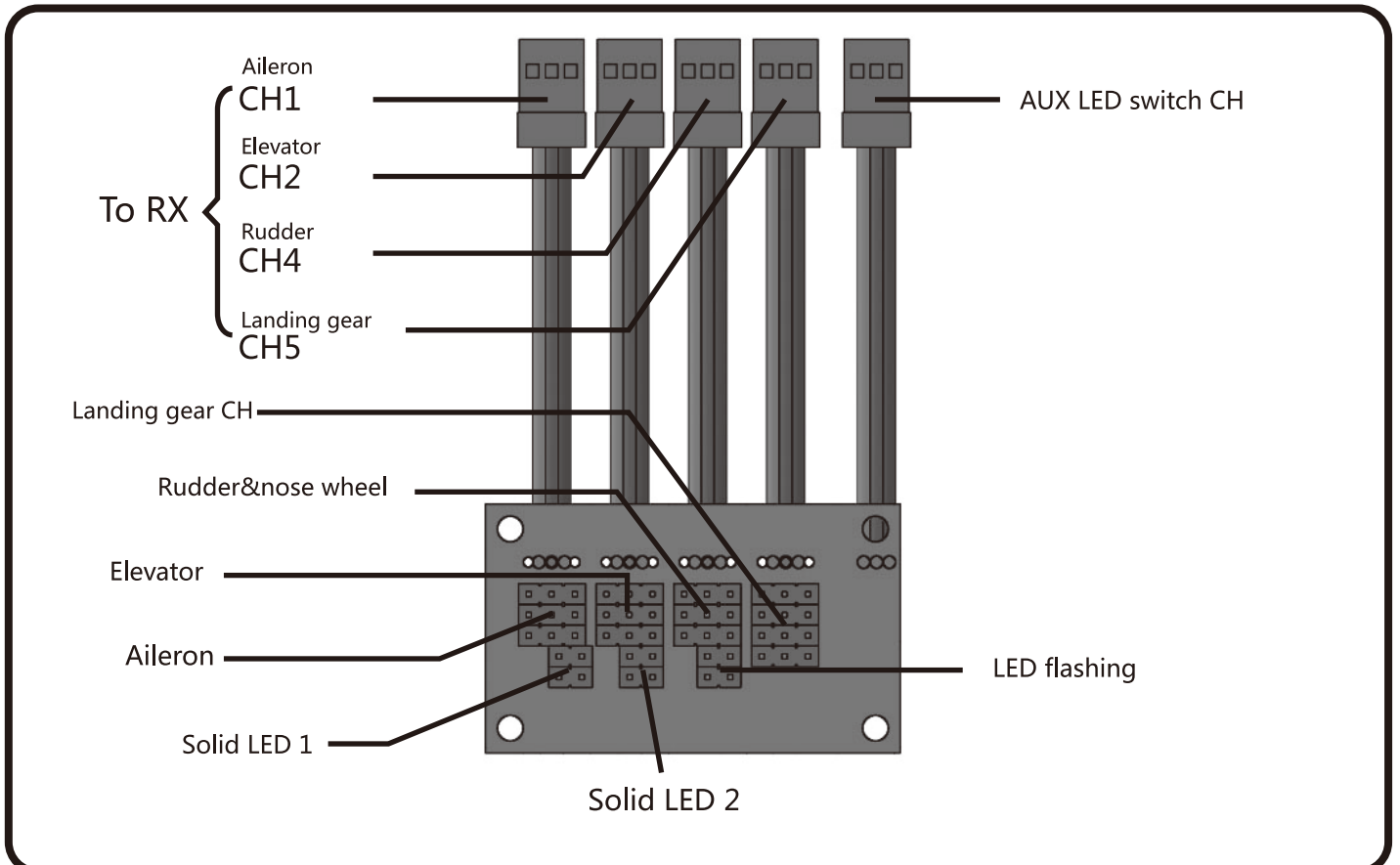
X 1pcs

2. Assembly

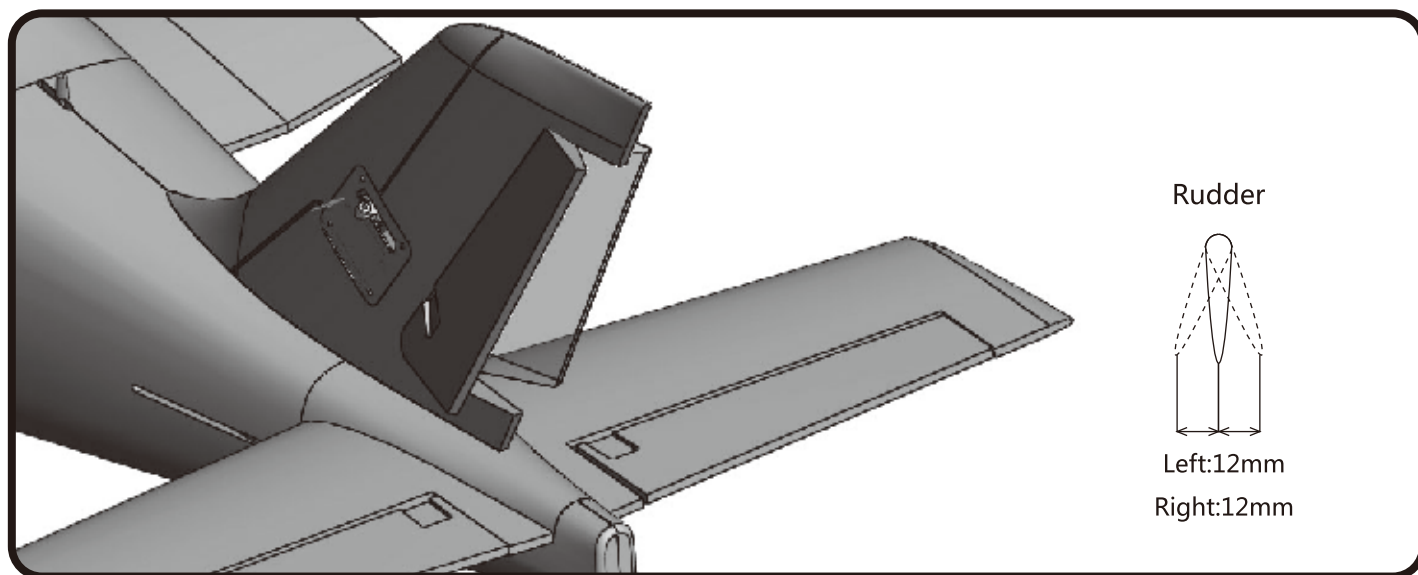
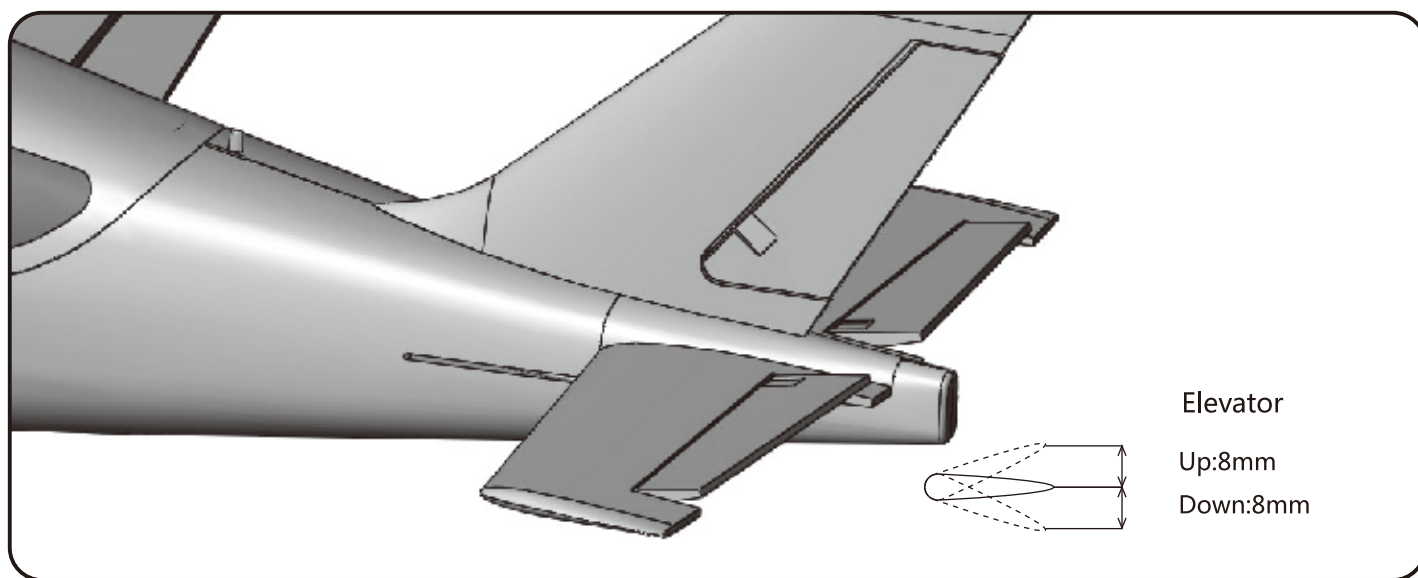
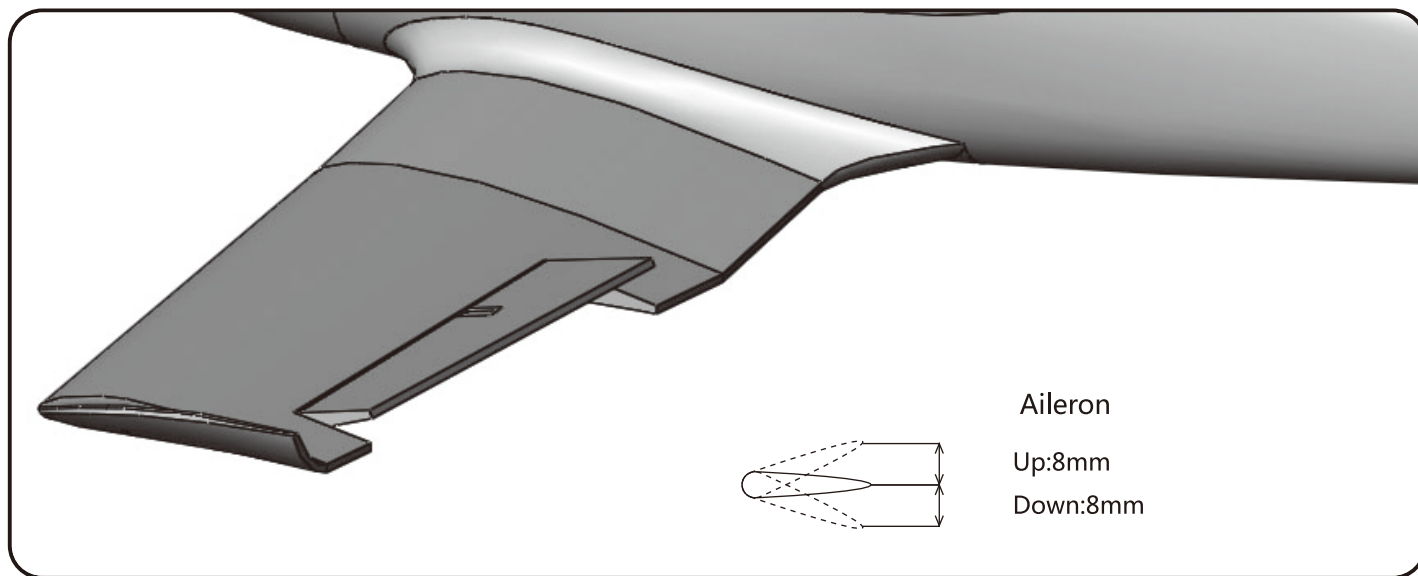
7) Servo connections Fig .7



8) Check the connection diagram below for the more information Fig.8



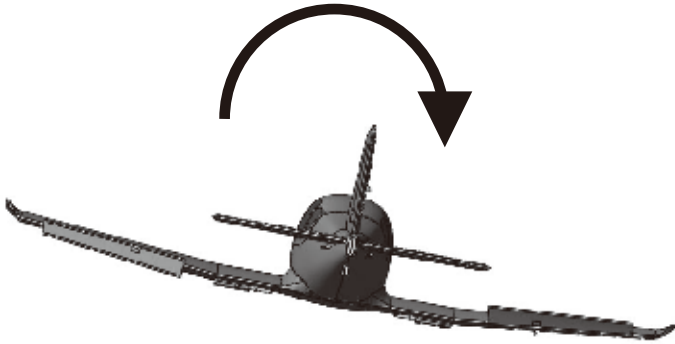
3. Adjust control surface set control throw



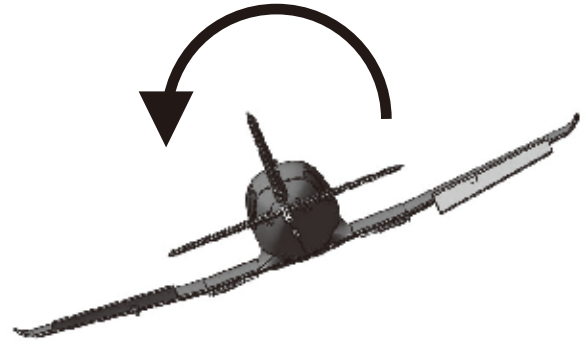
4. Testing controls

Aileron

Right ail. Up Rolling to right

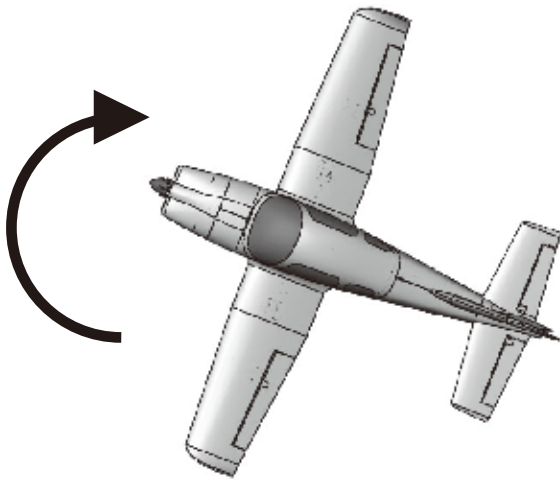


Right ail.down Rolling to left

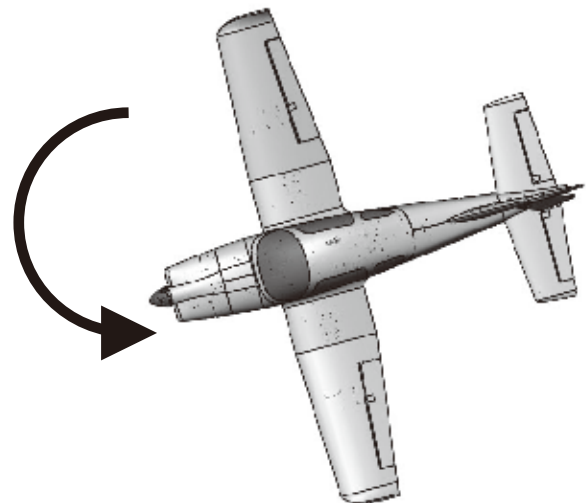


Rudder

Rudder to right Yawing to right

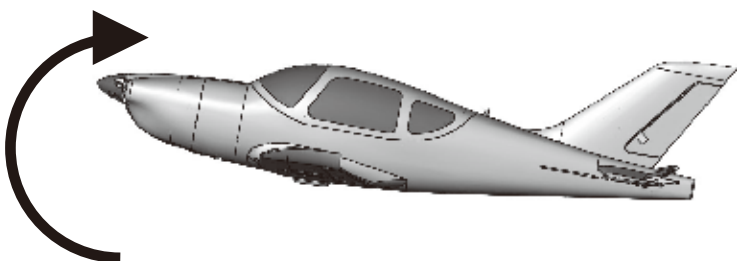


Rudder to left Yawing to left

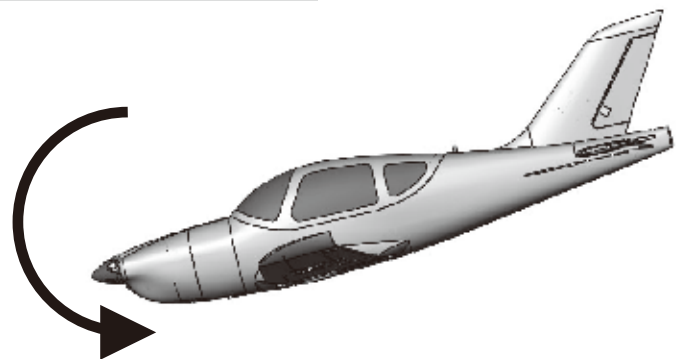


Elevator

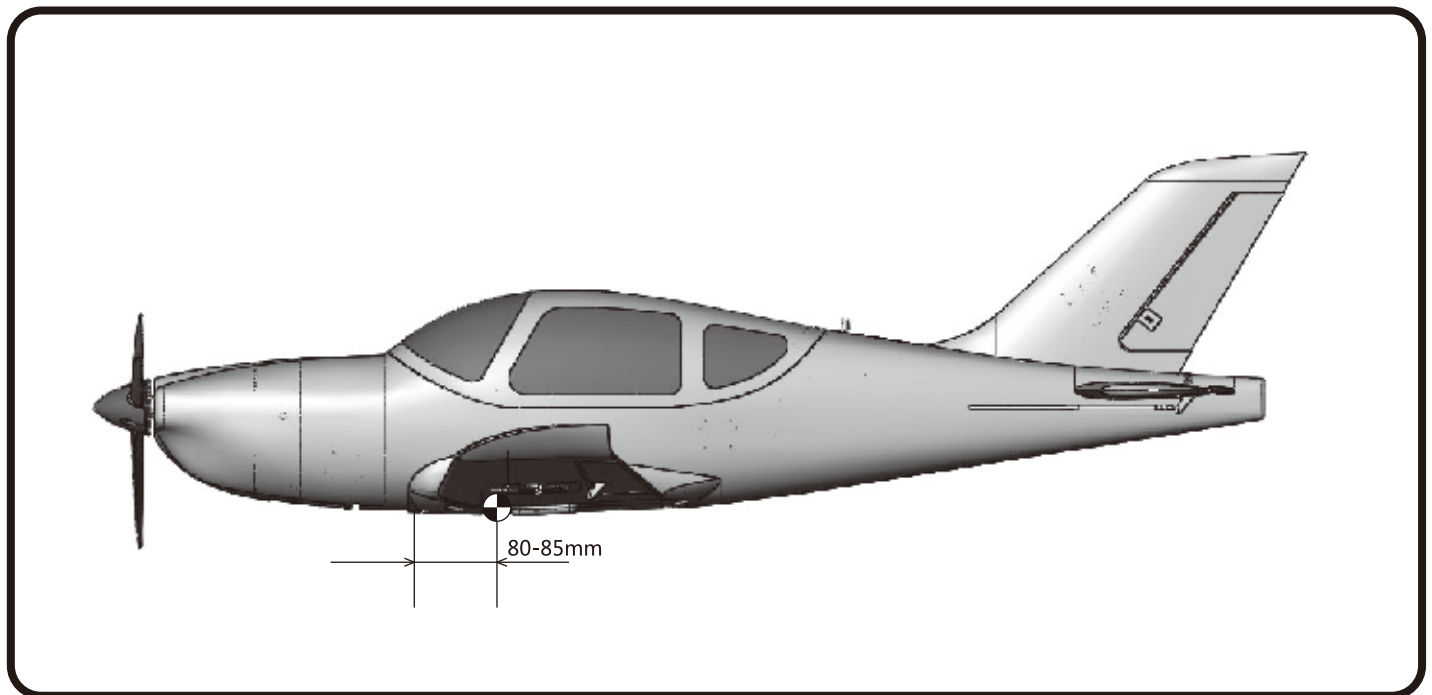
Elevator up Nose up



Elevator down Nose down



5. Center of Gravity



Parts list

ROCKM101	Fuselage
ROCKM102	Main Wing Set
ROCKM103	Horizontal Stabilizer
ROCKM104	Cowl
ROCKM105	Spinner
ROCKM106	Canopy Hatch
ROCKM107	Landing Gear Set
ROCKM108	Steel Set
ROCKM109	Screws Set
ROCKM110	Decal Sheet
ROCKM111	Vertical Stabilizer
FMSDJ009	Motor Mount
FMSPROP040	Propeller
FMSDZ023	Motor Shaft
FMSRE026	Retract
FMSKV1250L	Brushless Motor
FMSFLT001	Float
PRESC001	40A ESC
FMSSER9GP	Servo

一、规格参数

材料: EPO

翼展: 1220mm

机长: 1080mm

重量: 1500g

电机: 3536 1250kv 外转子无刷马达

10X6三叶桨

遥控器: 4CH-5CH

伺服机: 9g*6pcs

装箱单

机身	1pcs	10X6三叶螺旋桨	1pcs
左机翼	1pcs	三叶螺旋桨罩	1pcs
右机翼	1pcs	机翼插销管	1pcs
水平尾翼	1pcs	说明书	1pcs
垂直尾翼	1pcs		

二、飞行安全及注意事项

安全提示！

注意！模型飞机不是玩具，本产品只适合年龄在14岁的成年人使用！

禁止使用自主飞控装置改装本产品，因私自改装本产品所造成的一切后果本公司概不负责！

1. 本产品只适合已初步掌握模型飞机飞行技能的操作者使用，如无经验的初学者请在专业人士指导下逐步学习使用

2. 在组装之前，请认真阅读产品说明书，严格按照说明书组装指示操作

3. 本产品使用泡沫材料制成，不可随意使用化学制剂擦拭，不可接触高温物体

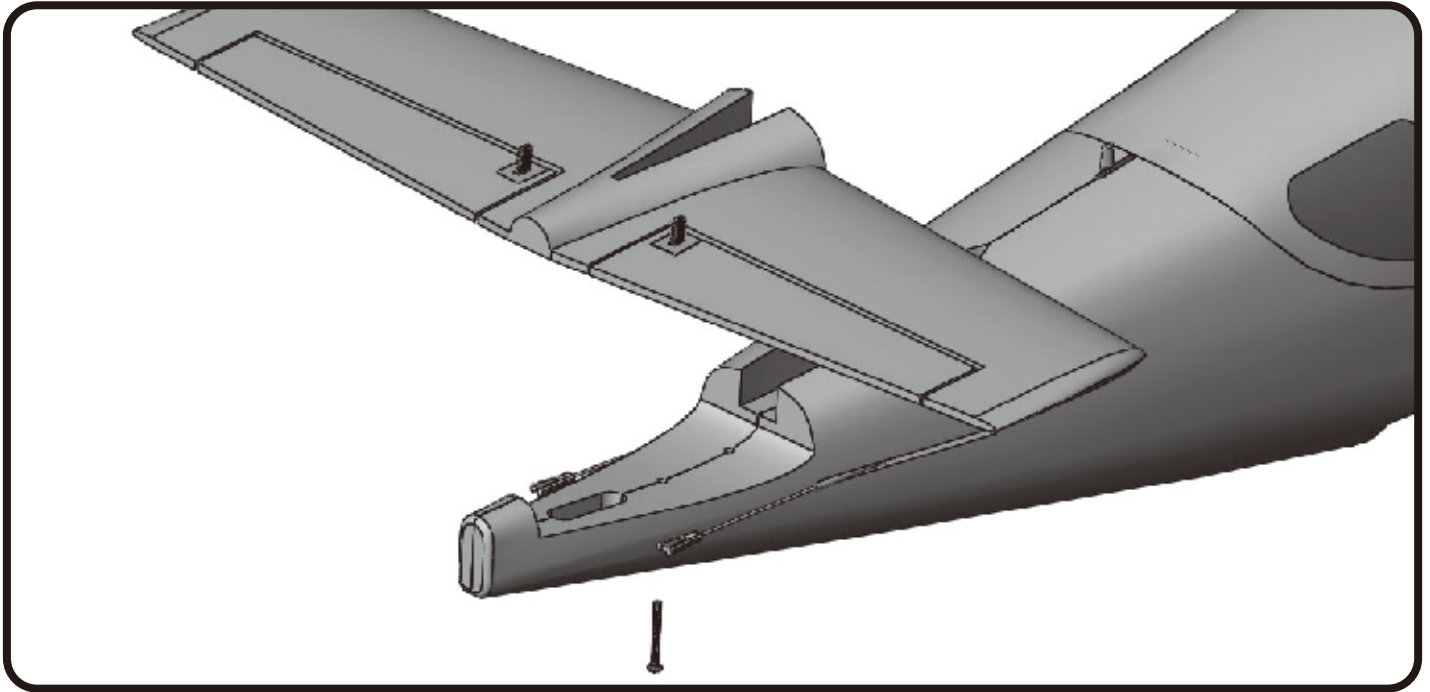
4. 不可在机场，铁路，公路，军事禁区，人流密集区，高压线密集区附近及其它法律禁止飞行的区域飞行，在政府发布的禁飞时间内禁止飞行

5. 雷雨，台风，等恶劣气象条件下禁止飞行

6. 模型飞机所使用的遥控装置需符合国家有关无线电管理规定

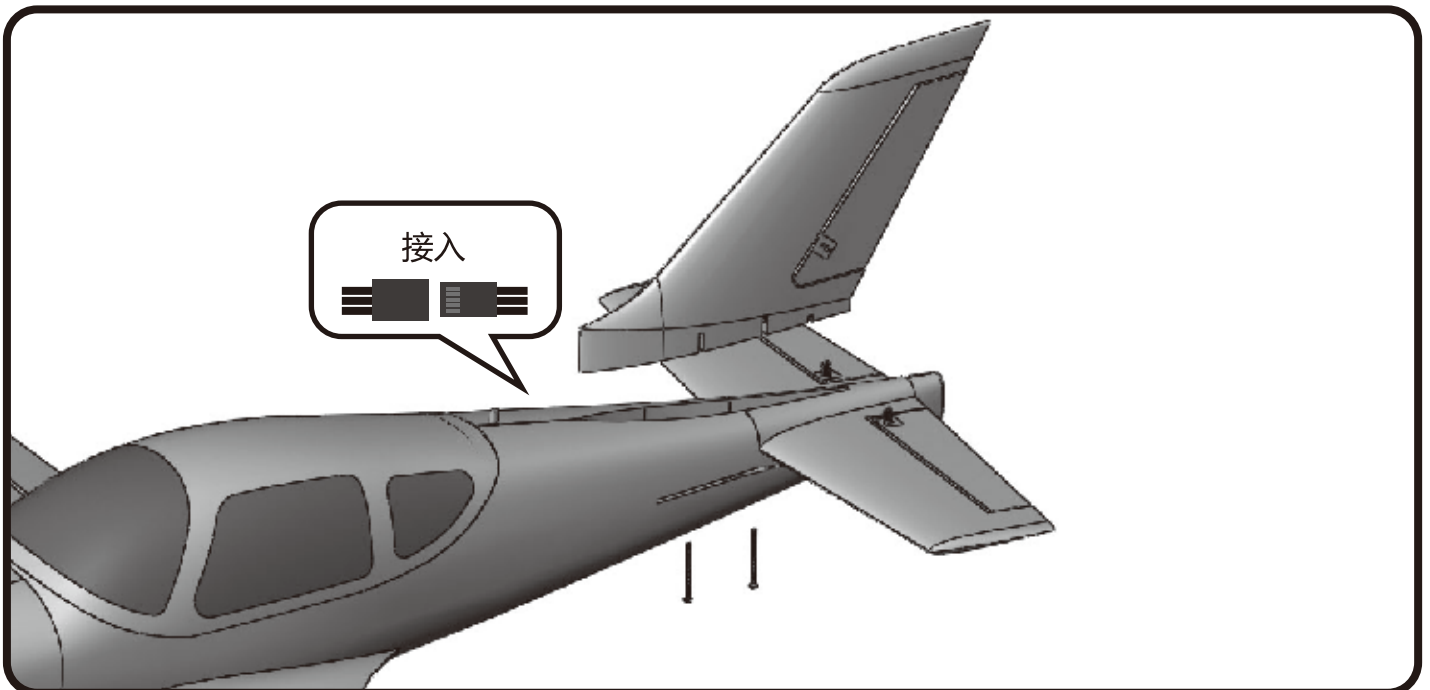
二、组装说明

1) 安装水平尾翼 (图1)



 X 1pcs
PM3.0*30

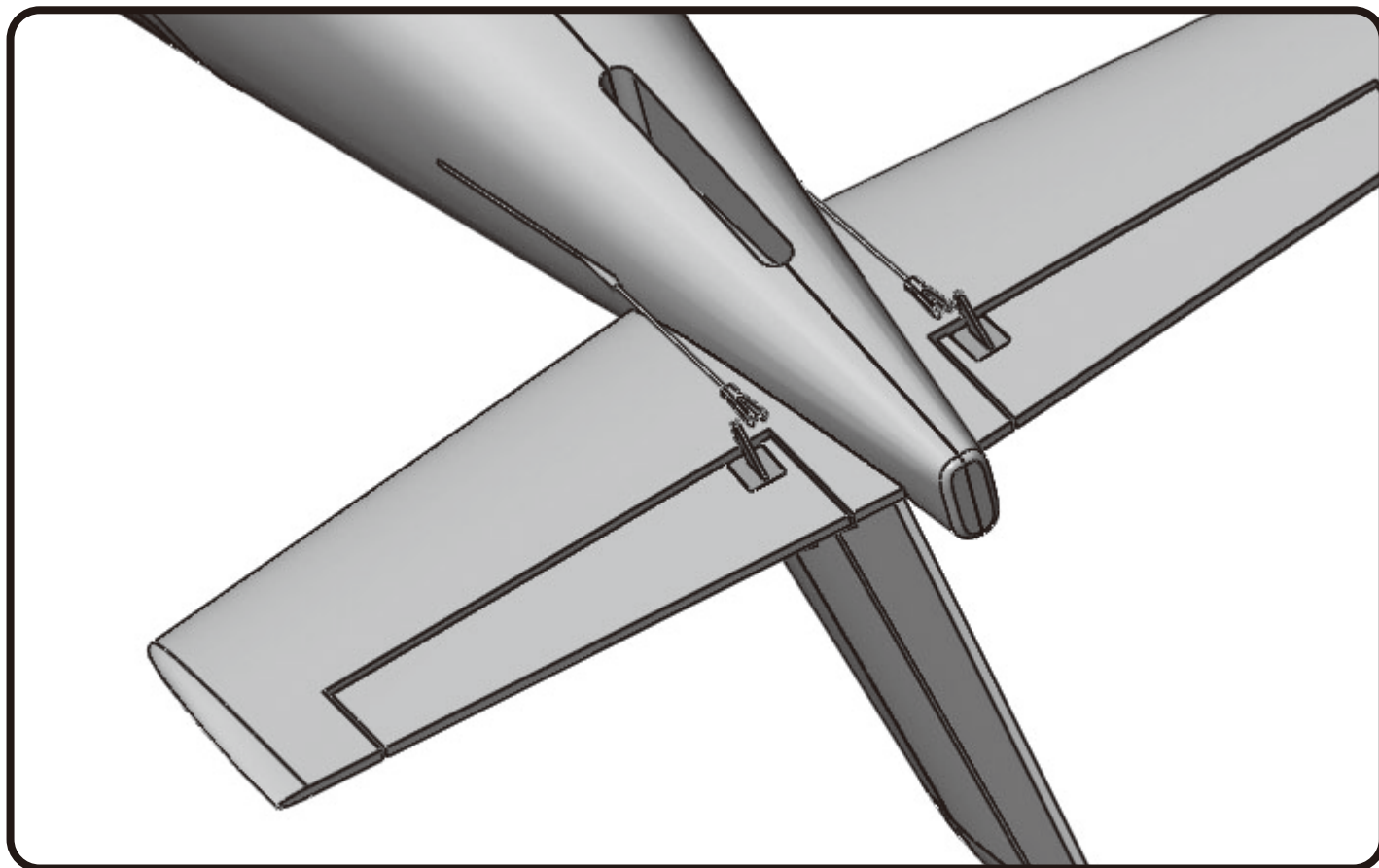
2) 安装垂直尾翼 (图2)



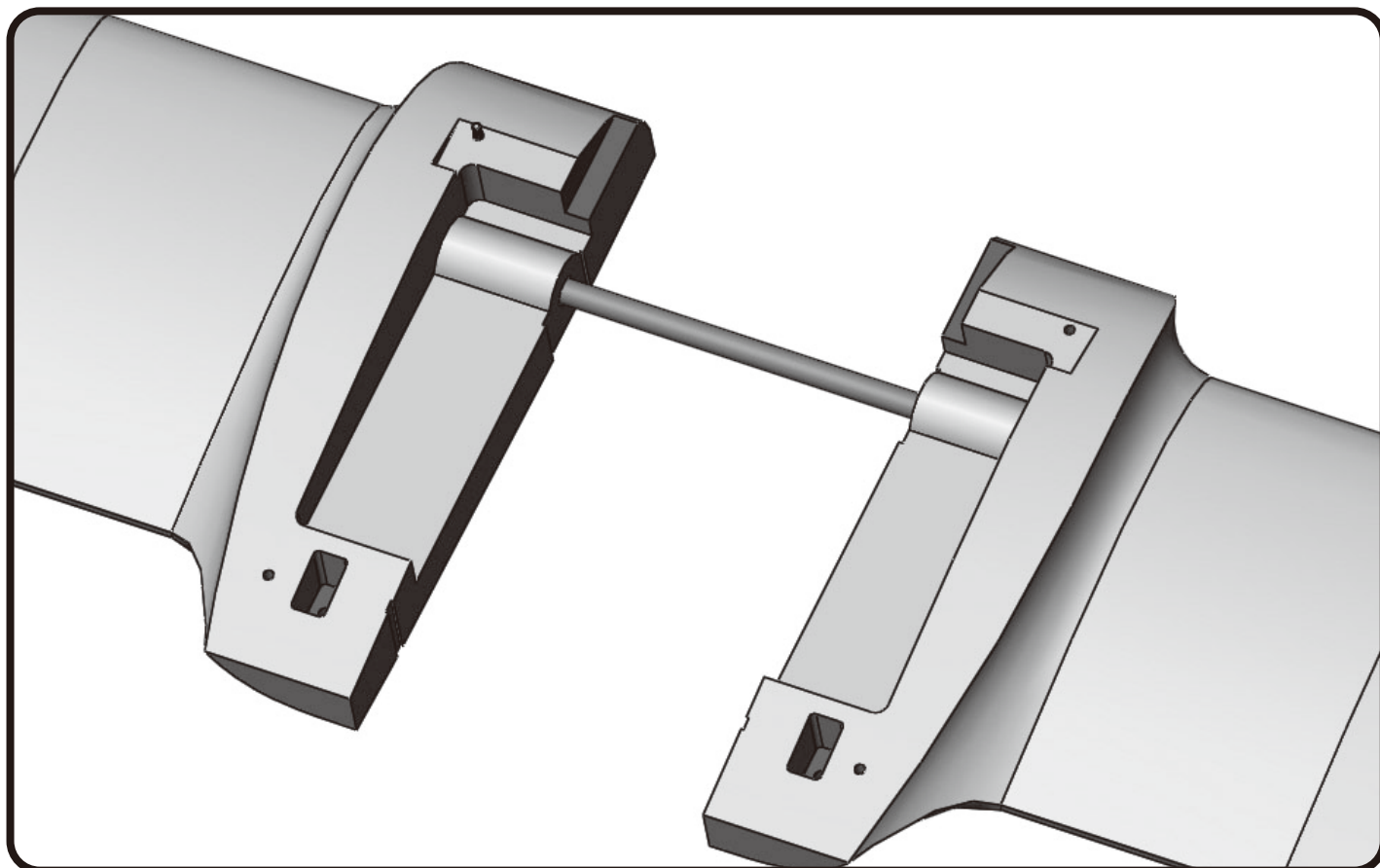
 X 2pcs
PM3.0*45

二、 组装说明

3) 安装升降舵操纵钢丝 (图3)

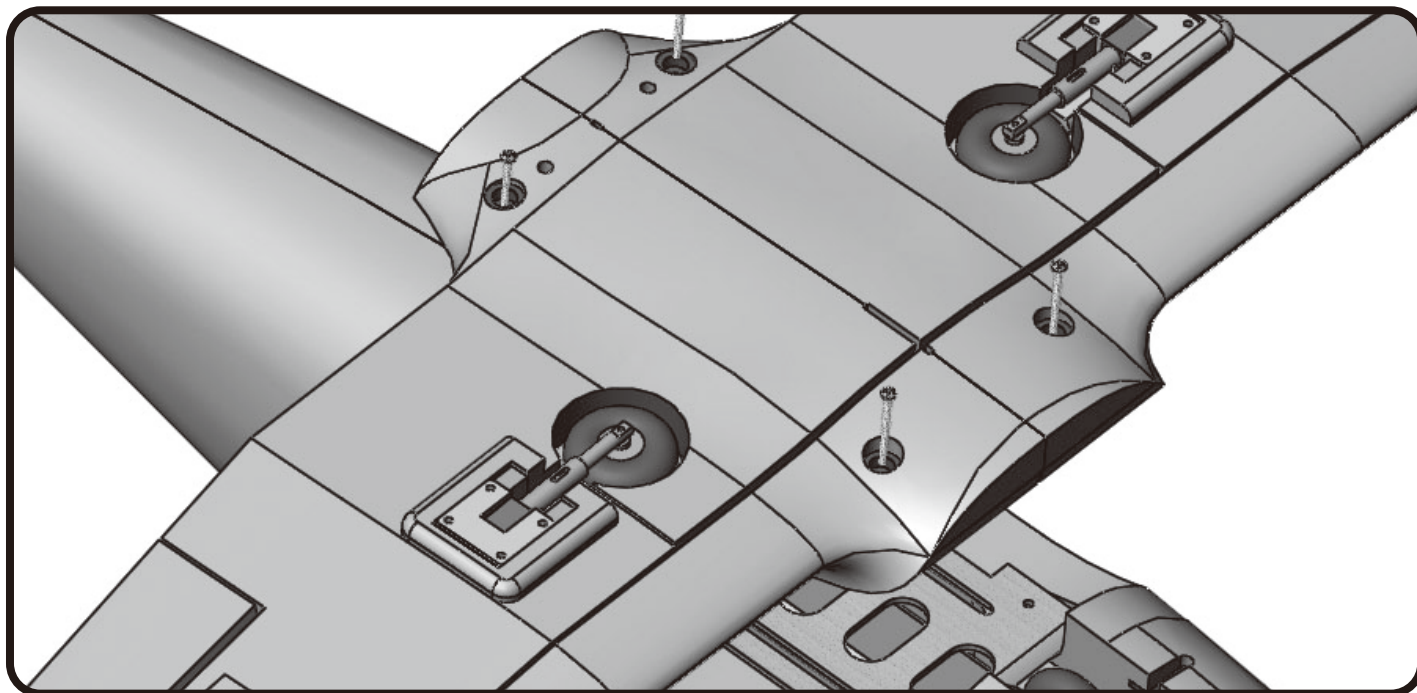


4) 左右机翼对接 (图4)



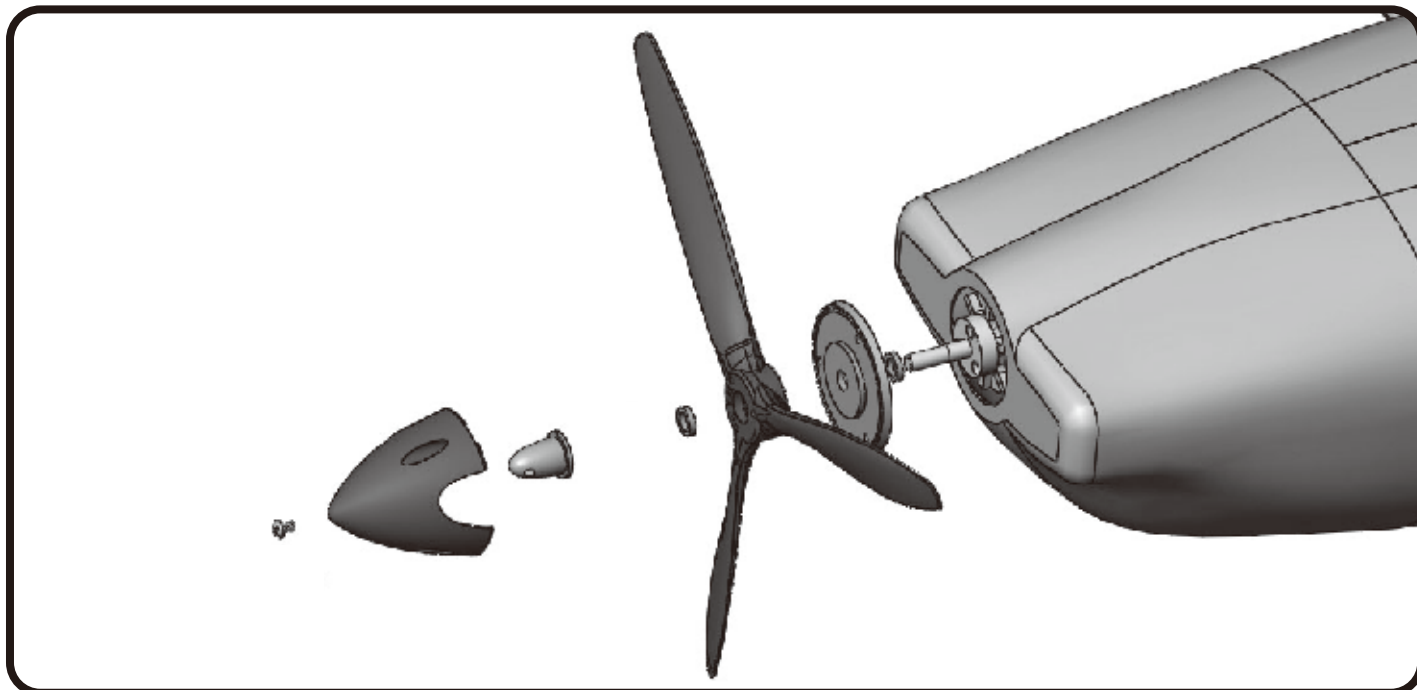
Assembly
二、 组装说明

5) 机身机翼对接 (图5)



X 4pcs

6) 安装螺旋桨 (图6)

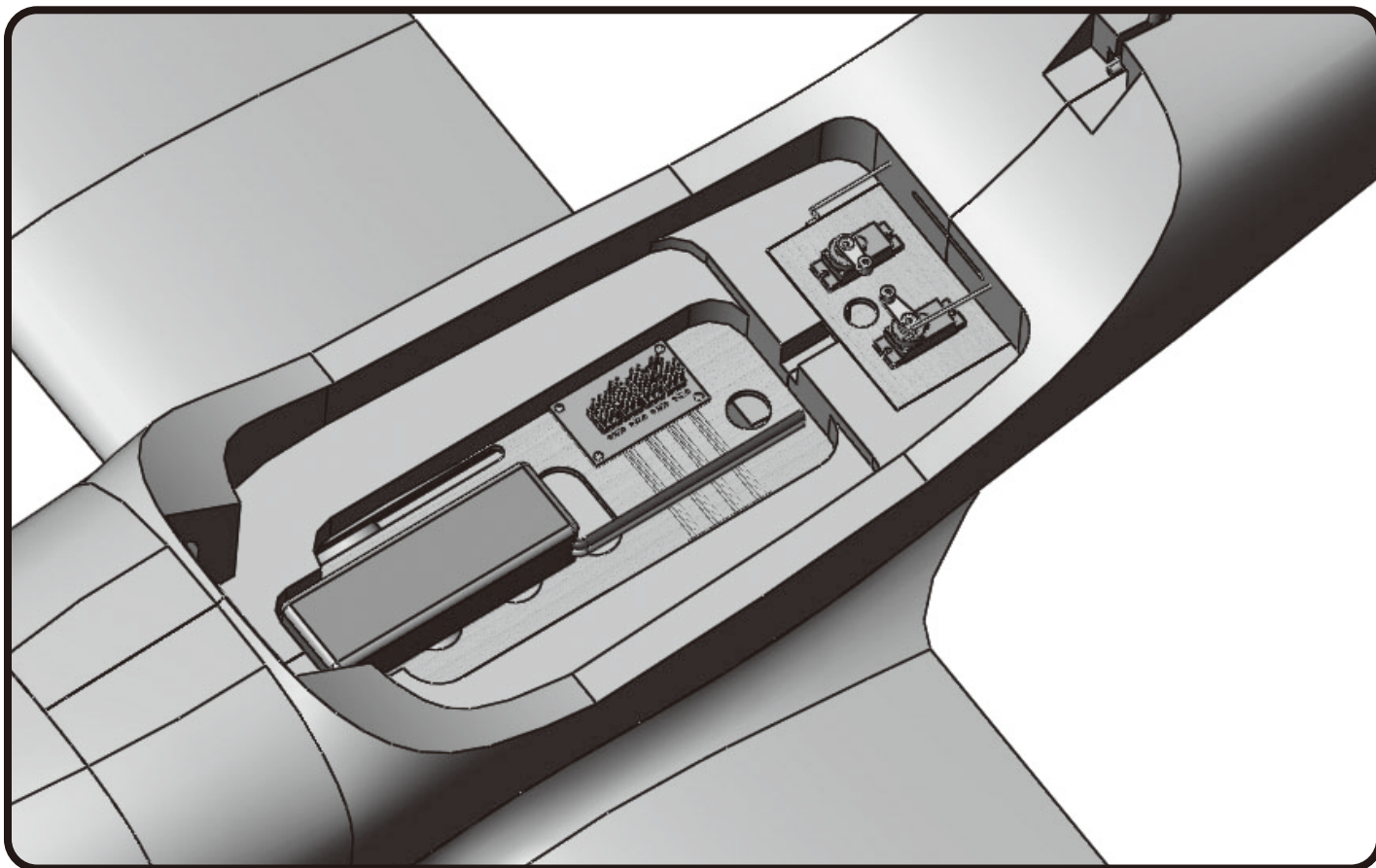


HKM3.0*10

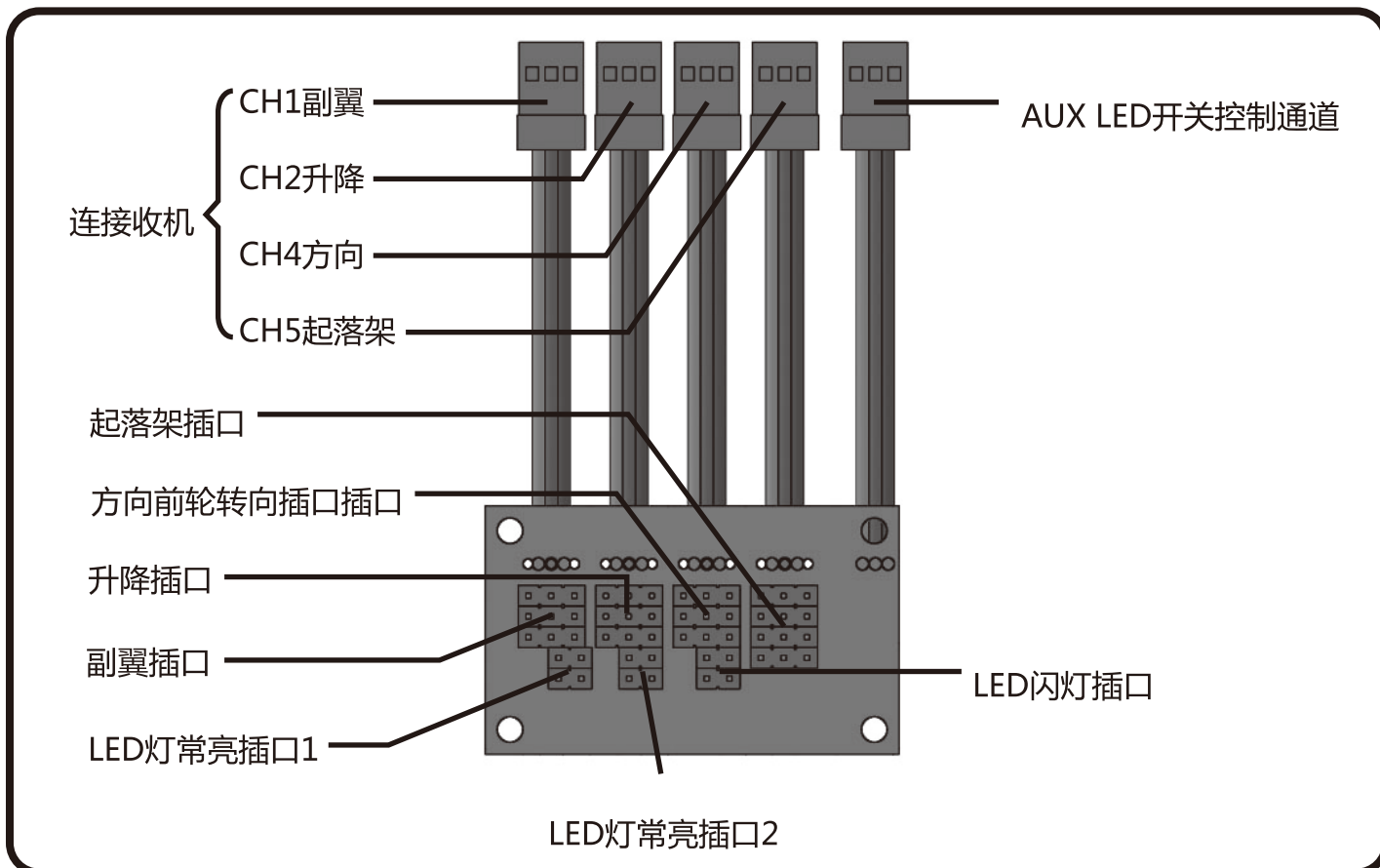
X 1pcs

二、组装说明

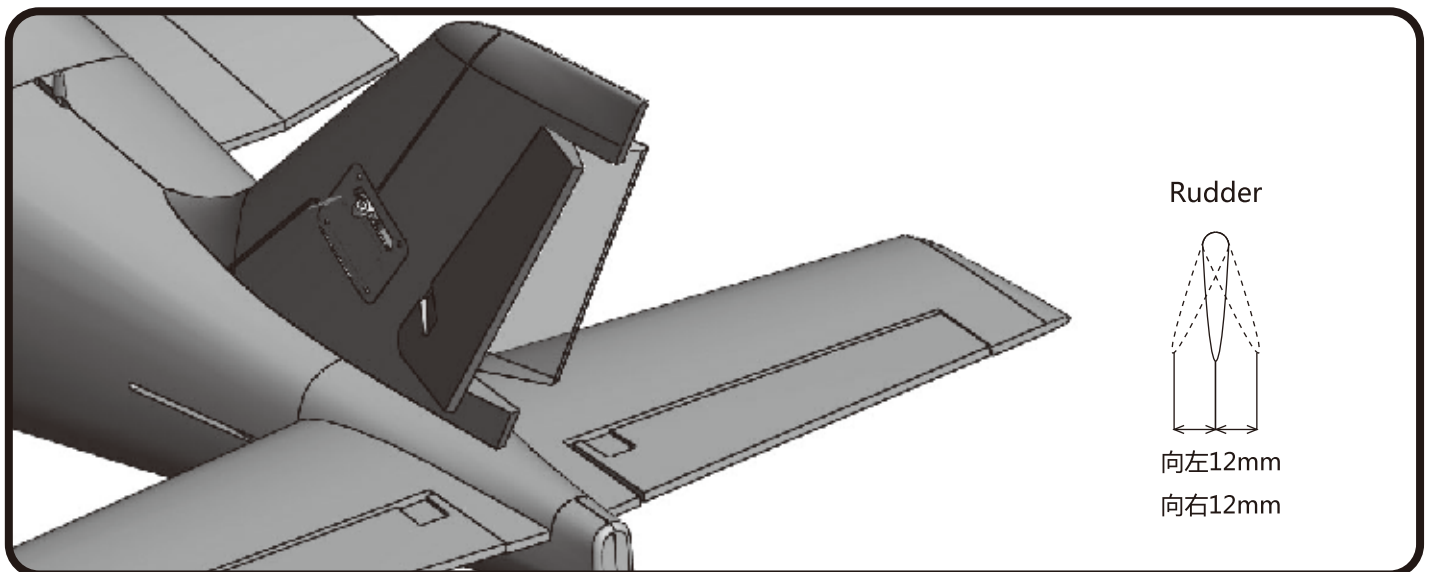
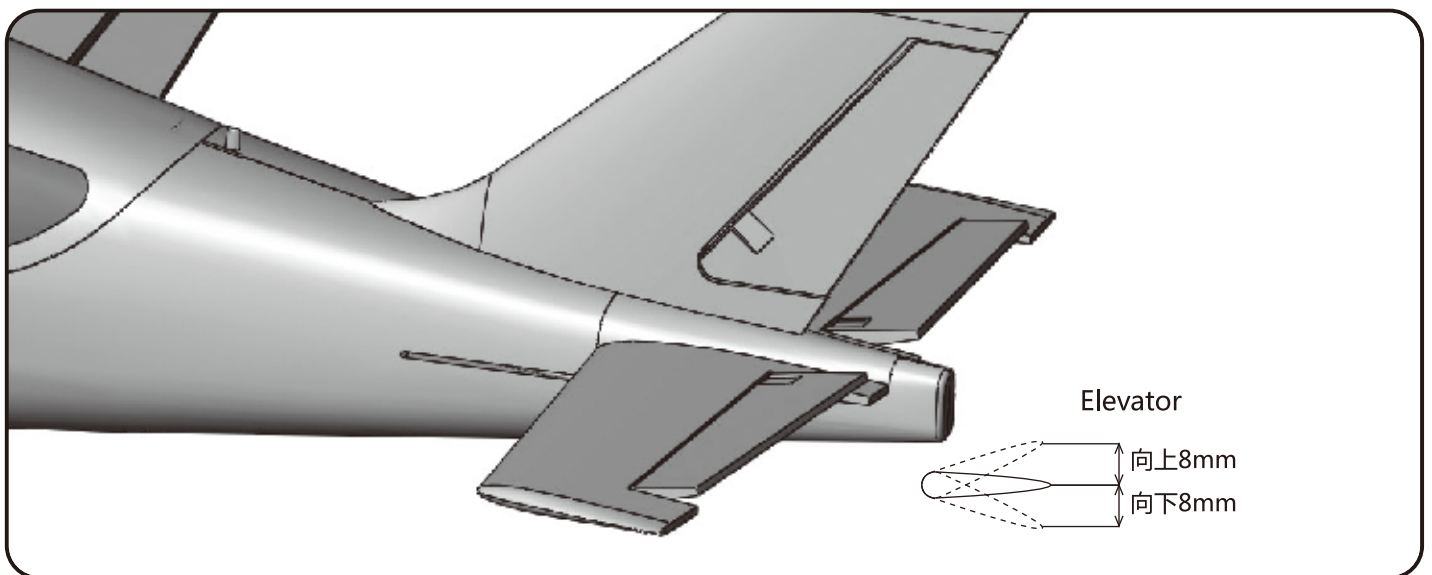
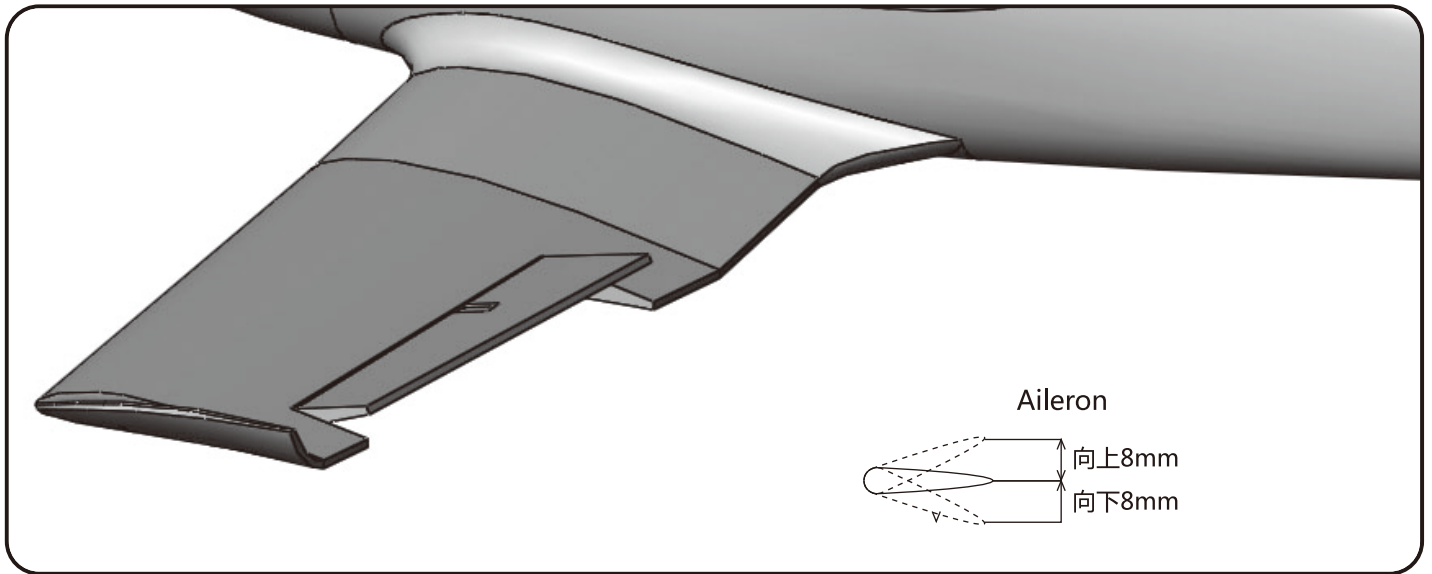
7) 舵机接线 (图7)



8) 舵机线集线电路板介绍 (图8)



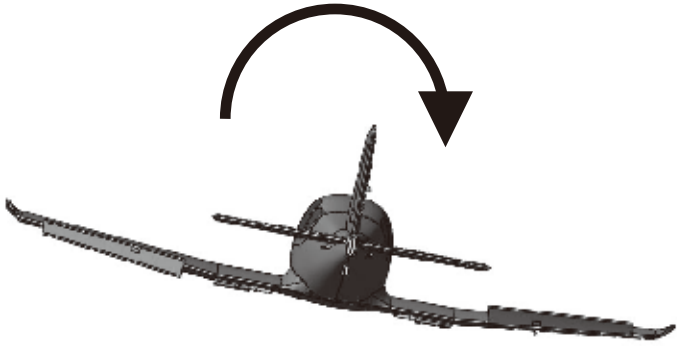
三、调整各舵面中立,设定舵面行程



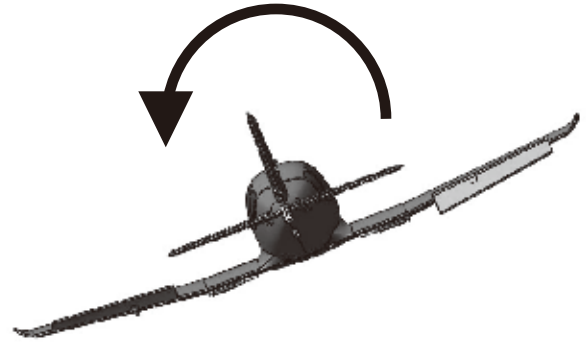
四、舵面测试

副翼

右副翼向上向右倾斜

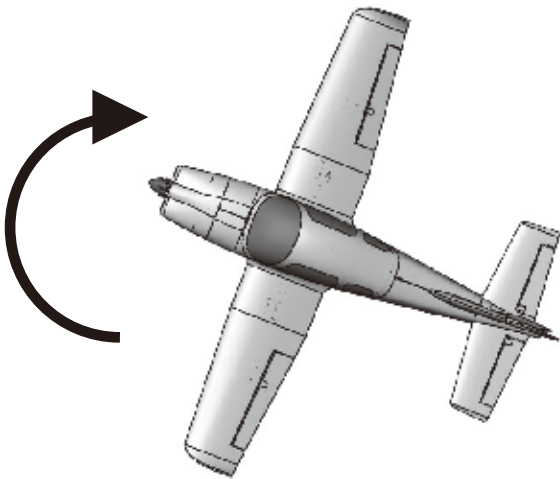


右副翼向下向左倾斜

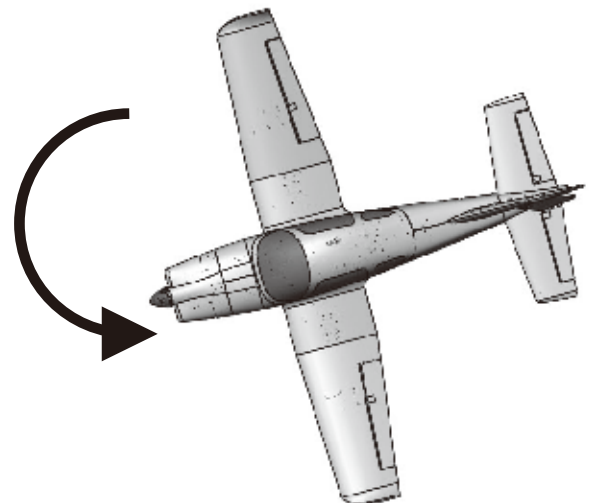


方向舵

方向舵向右机头转右

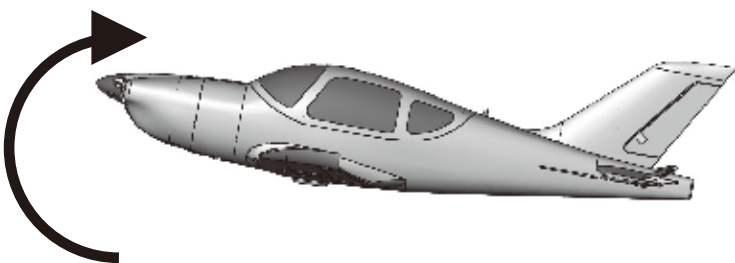


方向舵向左机头转左

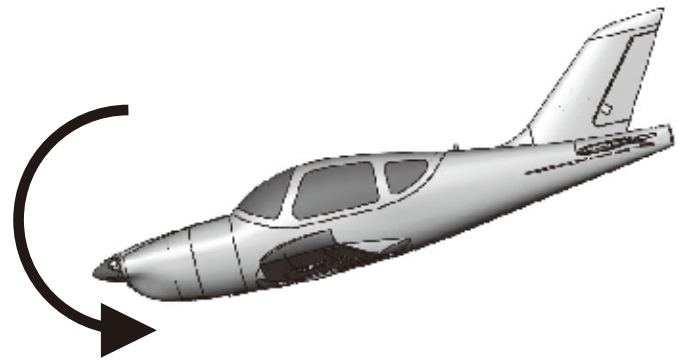


升降舵

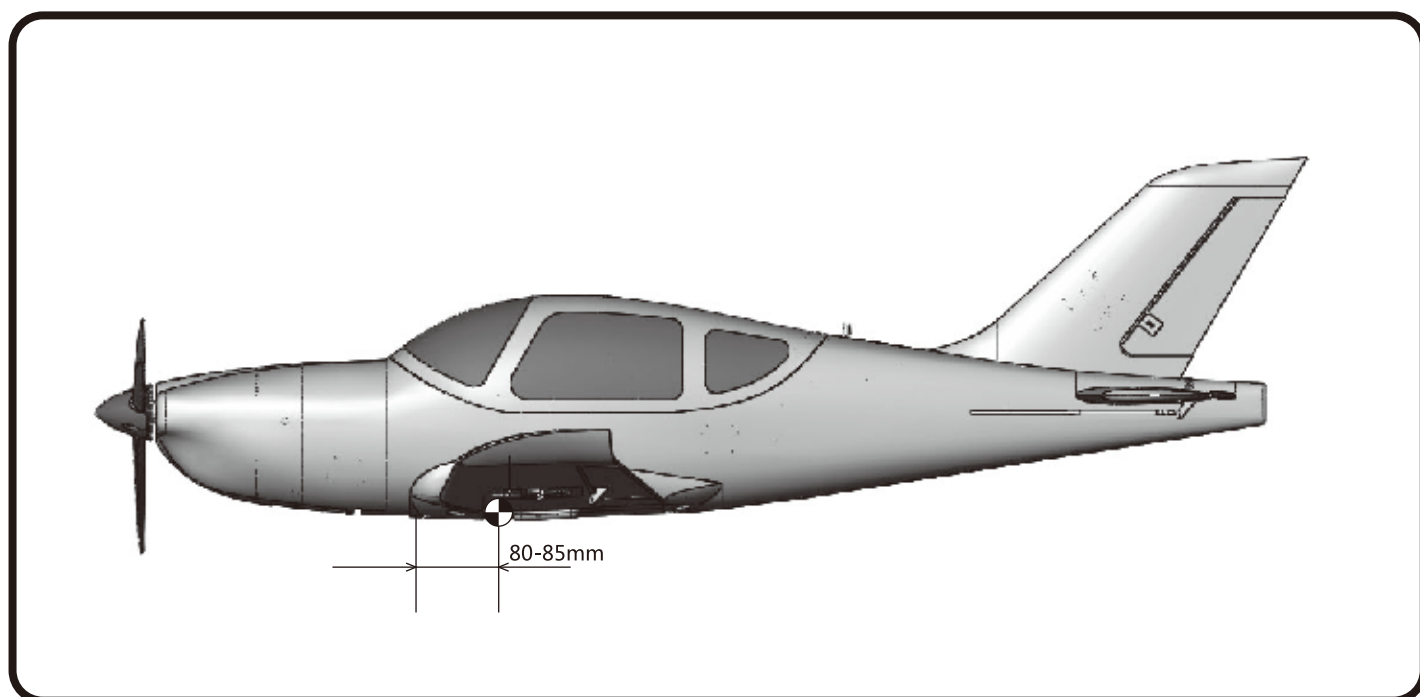
升降舵向上飞机上偏



升降舵向下飞机下偏



五、重心位置



配件包清单

ROCKM101	机身
ROCKM102	主翼
ROCKM103	平尾
ROCKM104	机头罩
ROCKM105	桨罩
ROCKM106	座舱组
ROCKM107	起落架组
ROCKM108	钢丝组
ROCKM109	螺丝组
ROCKM110	贴纸
ROCKM111	垂尾
FMSDJ009	电机架
FMSPROP040	桨
FMSDZ023	电机轴
FMSRE026	电子收放026
FMSKV1250L	KV1250电机
FMSFLT001	水鞋
PRESC001	40A捕食者电调
FMSSER9GP	9克正向塑胶舵机

