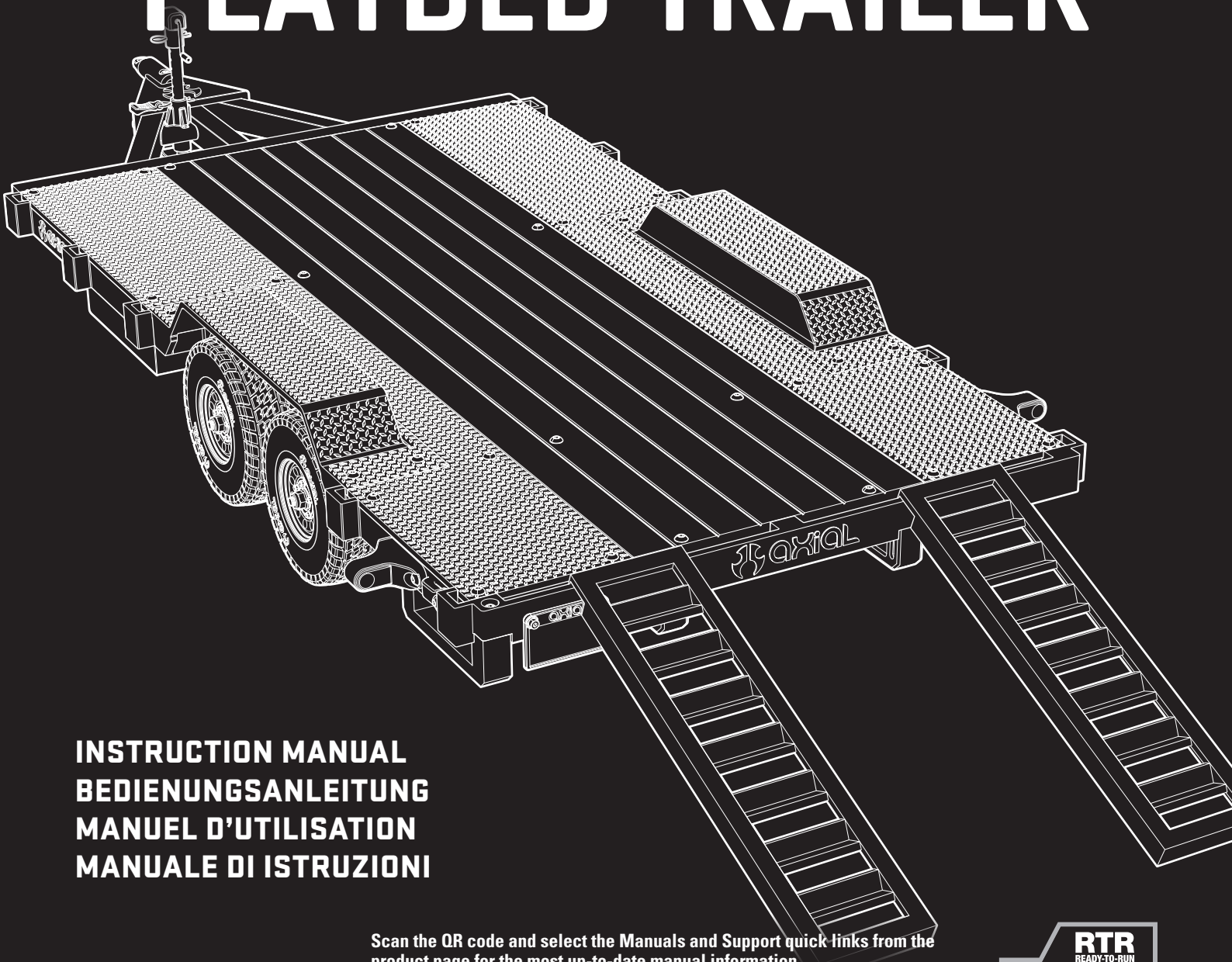


1/10 SCALE

FLATBED TRAILER



**INSTRUCTION MANUAL
BEDIENUNGSANLEITUNG
MANUEL D'UTILISATION
MANUALE DI ISTRUZIONI**

Scan the QR code and select the Manuals and Support quick links from the product page for the most up-to-date manual information.

Scannen Sie den QR-Code und wählen Sie auf der Produktseite die Quicklinks Handbücher und Unterstützung, um die aktuellsten Informationen zu Handbücher.

Scannez le code QR et sélectionnez les liens rapides Manuals and Support sur la page du produit pour obtenir les informations les plus récentes sur le manuel.

Scannerizzare il codice QR e selezionare i Link veloci Manuali e Supporto dalla pagina del prodotto per le informazioni manuali più aggiornate.



AXI-3409

NOTICE

All instructions, warranties and other collateral documents are subject to change at the sole discretion of Horizon Hobby, LLC. For up-to-date product literature, visit horizonhobby.com or towerhobbies.com and click on the support or resources tab for this product.


MEANING OF SPECIAL LANGUAGE

The following terms are used throughout the product literature to indicate various levels of potential harm when operating this product:

WARNING: Procedures, which if not properly followed, create the probability of property damage, collateral damage, and serious injury OR create a high probability of superficial injury.

CAUTION: Procedures, which if not properly followed, create the probability of physical property damage AND a possibility of serious injury.

NOTICE: Procedures, which if not properly followed, create a possibility of physical property damage AND a little or no possibility of injury.

 **WARNING:** Read the ENTIRE instruction manual to become familiar with the features of the product before operating. Failure to operate the product correctly can result in damage to the product, personal property and cause serious injury.

This is a sophisticated hobby product. It must be operated with caution and common sense and requires some basic mechanical ability. Failure to operate this Product in a safe and responsible manner could result in injury or damage to the product or other property. This product is not intended for use by children without direct adult supervision. Do not use with incompatible components or alter this product in any way outside of the instructions provided by Horizon Hobby, LLC. This manual contains instructions for safety, operation and maintenance. It is essential to read and follow all the instructions and warnings in the manual, prior to assembly, setup or use, in order to operate correctly and avoid damage or serious injury.

Age Recommendation: Not for children under 14 years. This is not a toy.

SAFETY PRECAUTIONS AND WARNINGS

As the user of this product, you are solely responsible for operating in a manner that does not endanger yourself and others or result in damage to the product or property of others.

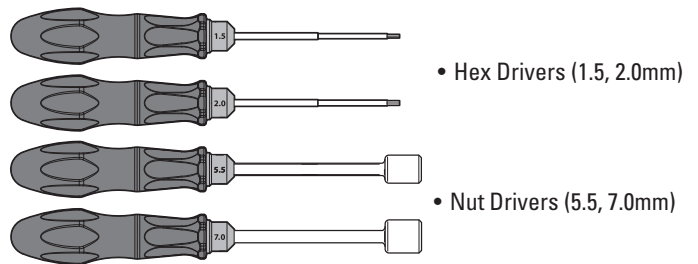
This model is controlled by a radio signal subject to interference from many sources outside your control. This interference can cause momentary loss of control, so it is advisable to always keep a safe distance in all directions around your model as this margin will help avoid collisions or injury.

- Never operate your model with low transmitter batteries.
- Always operate your model in open spaces away from full-size vehicles, traffic and people.
- Never operate the model in the street or in populated areas for any reason.
- Carefully follow the directions and warnings for this and any optional support equipment (chargers, rechargeable battery packs, etc.) you use.
- Keep all chemicals, small parts and anything electrical out of the reach of children.
- Never lick or place any portion of the model in your mouth as it could cause serious injury or even death.
- Exercise caution when using tools and sharp instruments.
- Take care during maintenance as some parts may have sharp edges.
- Immediately after using your model, do NOT touch equipment such as the motor, electronic speed control and battery, because they generate high temperatures. You may burn yourself seriously touching them.
- Do not put fingers or any objects inside rotating and moving parts, as this may cause damage or serious injury.
- Always turn on your transmitter before you turn on the receiver in the car. Always turn off the receiver before turning your transmitter off.
- Keep the wheels of the model off the ground when checking the operation of the radio equipment.

TABLE OF CONTENTS

Recommended tools.....	2
Trailer Assembly.....	3
Hitch Installation.....	3
Tongue Jack Adjustment.....	5
Ramp Installation.....	5
Limited Warranty.....	6
Warranty and Service Contact Information.....	7
Exploded Views.....	26
Parts Lists.....	27
Optional Parts.....	28

RECOMMENDED TOOLS



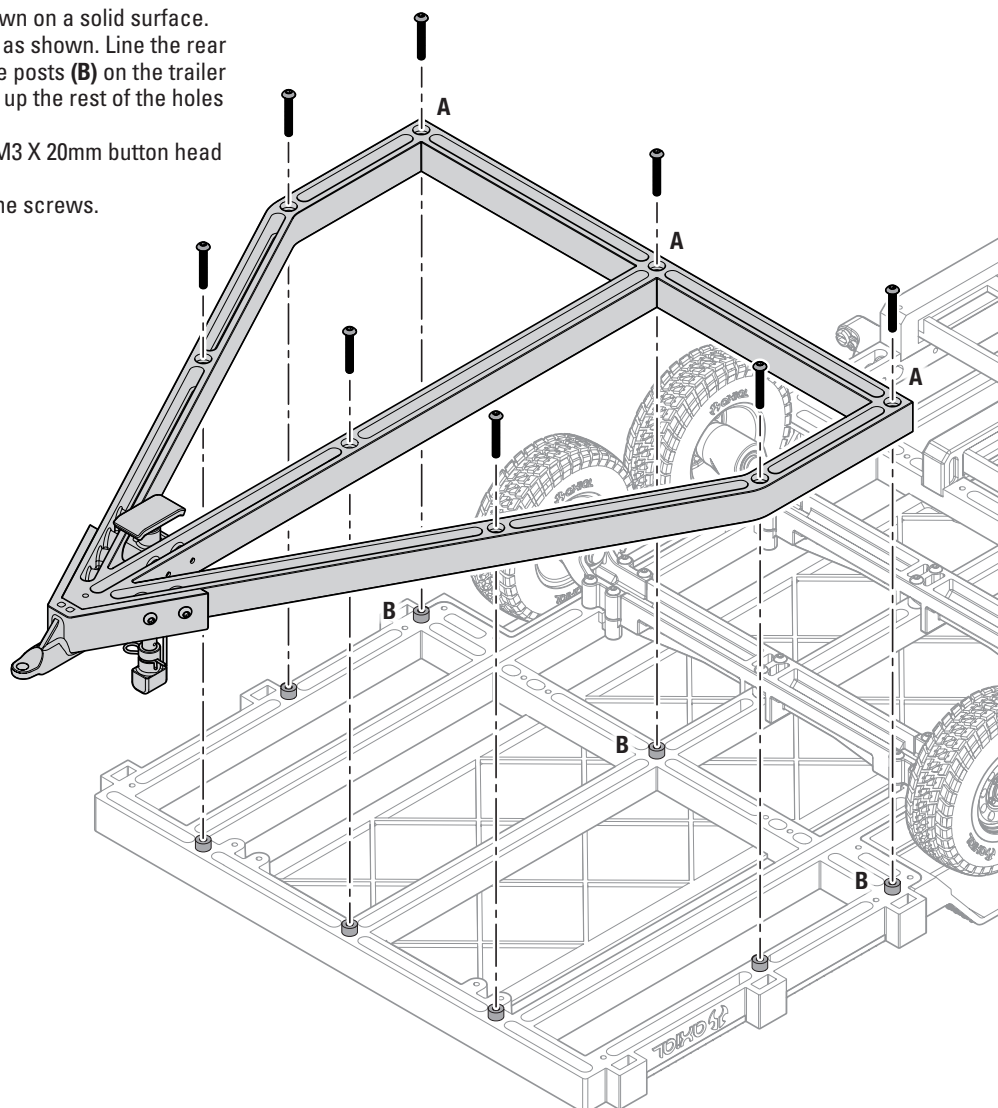
TRAILER ASSEMBLY

1. Lay the main trailer frame upside down on a solid surface.
2. Install the front section of the frame as shown. Line the rear holes (A) in the front section with the posts (B) on the trailer frame first, then work forward lining up the rest of the holes with the frame posts.
3. Secure the front section with eight M3 X 20mm button head screws.

IMPORTANT: Do not overtighten the screws.



M3 X 20mm Button Head (8)



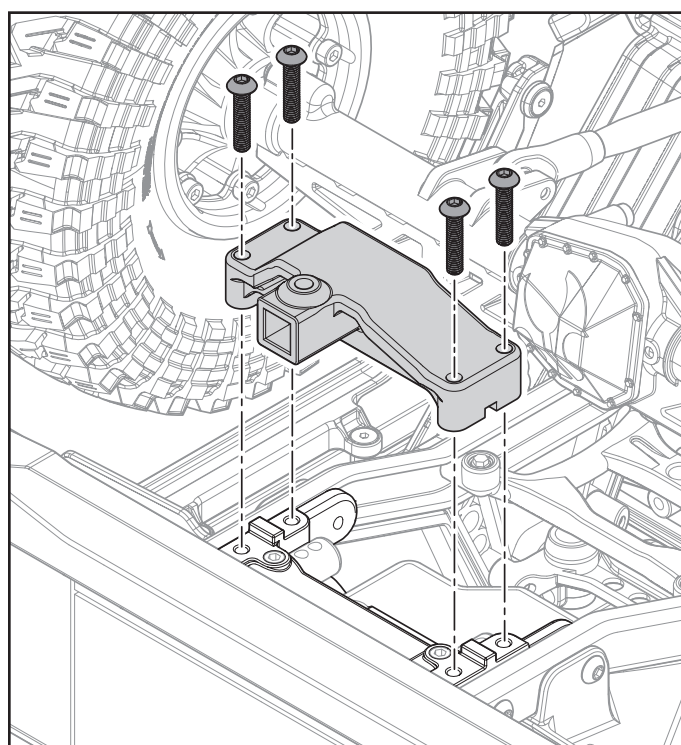
HITCH INSTALLATION

The hitch is designed to fit on an SCX10III vehicle and may be used with the included hitch receiver or with a hitch receiver already installed on your vehicle.

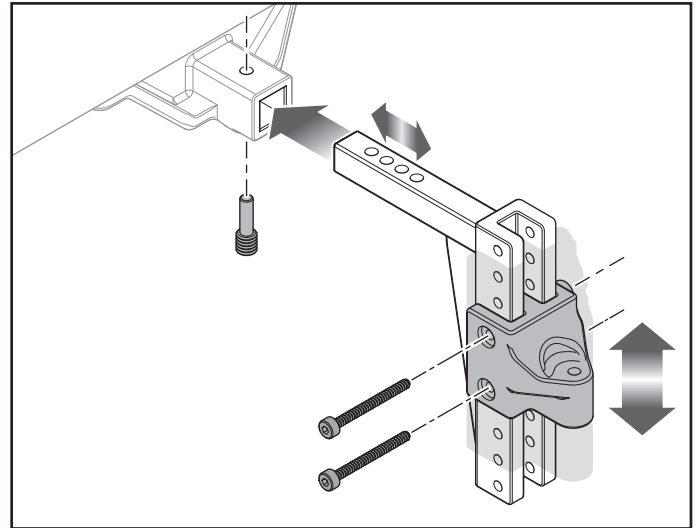
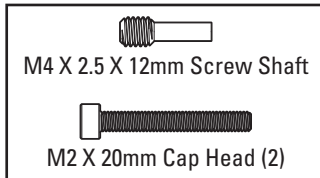
1. Attach the receiver to the bottom of the rear bumper/body mount cross member using four M3 X 20mm button head screws.



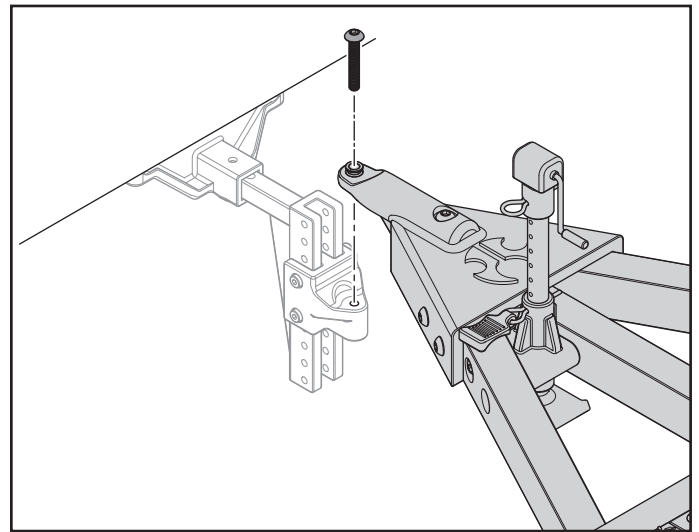
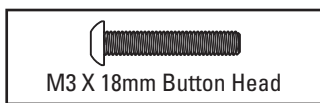
M3 X 20mm Button Head (4)



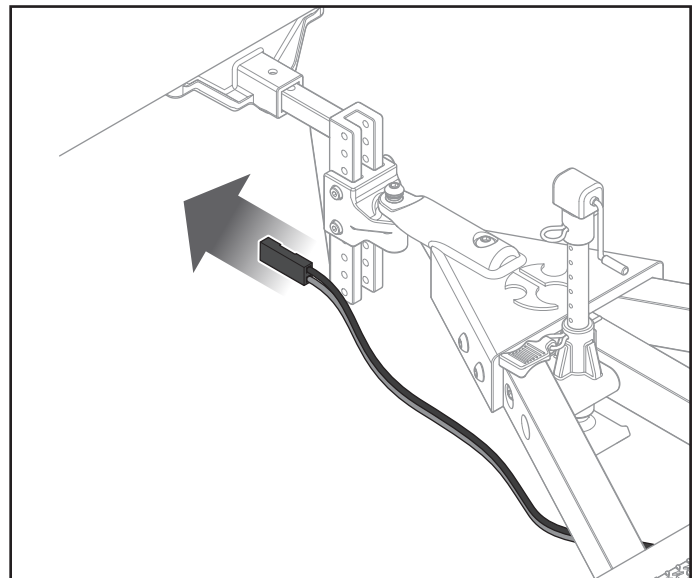
2. Slide the hitch mount into the receiver. The hitch mount has four possible depth options.
3. Install the M4 X 2.5 X 12mm screw shaft through the bottom of the receiver and into the desired hole in the hitch mount.
IMPORTANT: Do not overtighten the screw shaft. Damage to the hitch mount or receiver may result.
4. Determine the desired height of the hitch. The hitch mount has eight available height options. Ideally, the trailer should be level or slightly higher in the front when connected to the tow vehicle.
5. Attach the hitch to the hitch mount using two M2 X 20mm cap head screws.
IMPORTANT: The hitch must be attached securely with both cap head screws through holes in the hitch mount.



6. Attach the trailer to the hitch using an M3 X 18mm button head screw.



7. Connect the LED power lead to the tow vehicle's light system or an open port on the vehicle receiver.

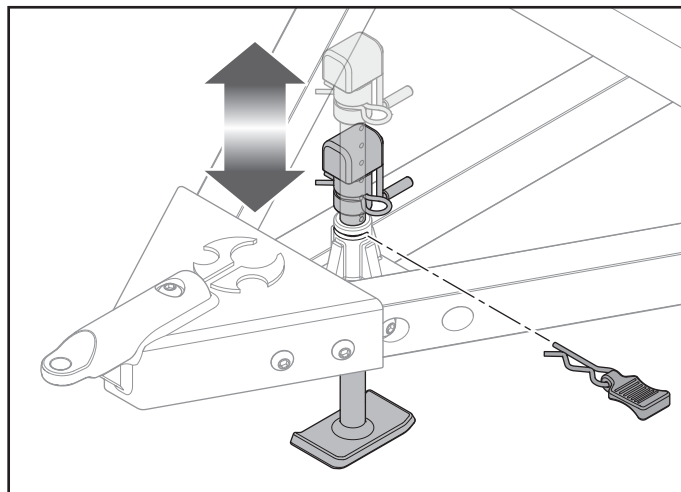


TONGUE JACK ADJUSTMENT

Adjust the tongue jack up or down by pulling the lower body pin and moving the jack to the desired position. Align the nearest hole in the jack mount to the slot in the jack post. Re-install the pin.

TIP: Raise the jack to the highest position when pulling the trailer.

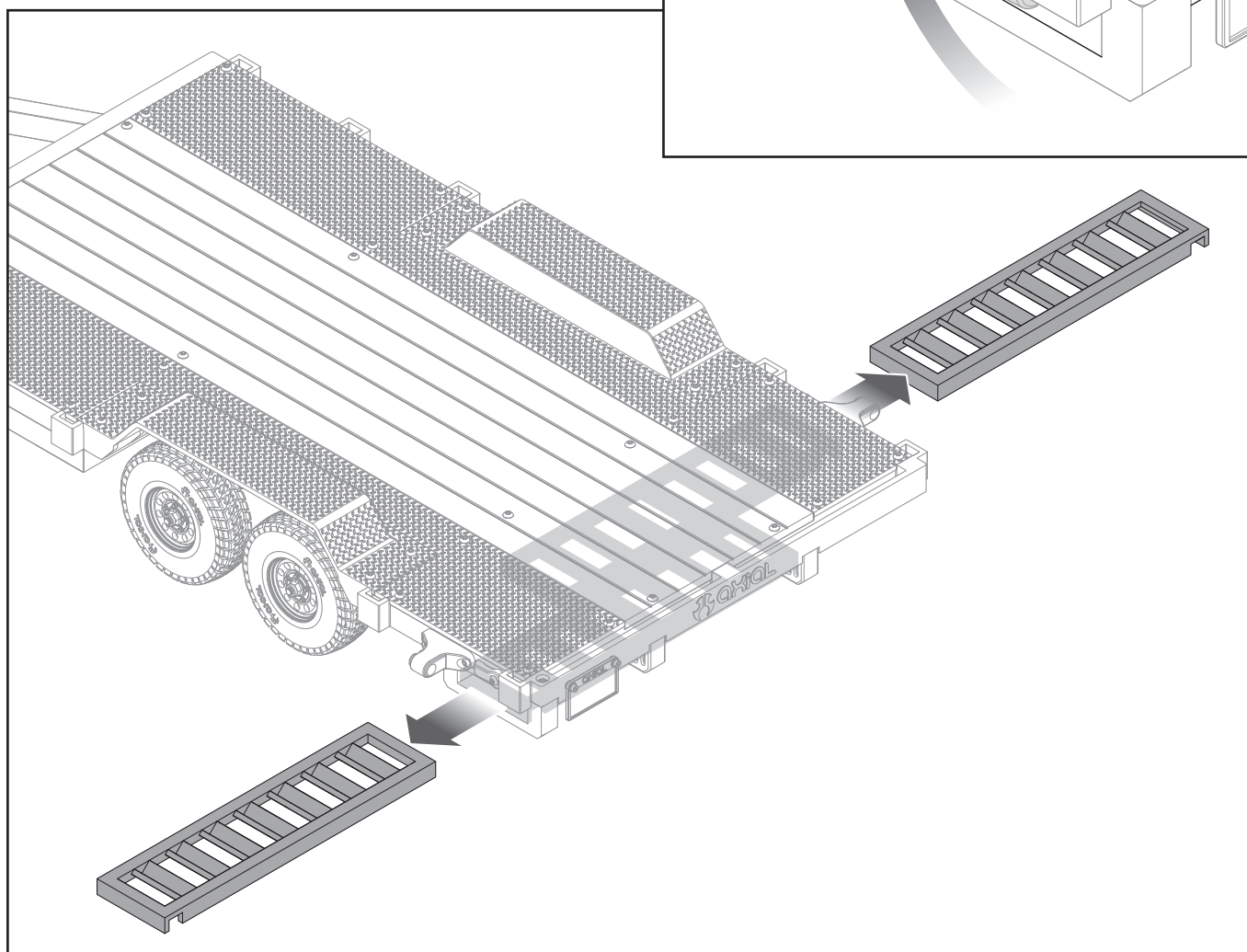
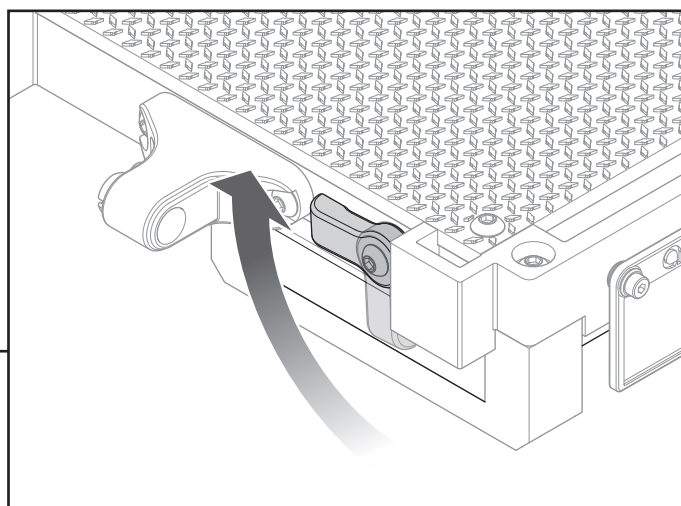
To remove the tongue jack, remove the top body pin to pull the top of the jack off the post. Pull the lower body pin, and remove the jack from the bottom of the mount.



RAMP INSTALLATION

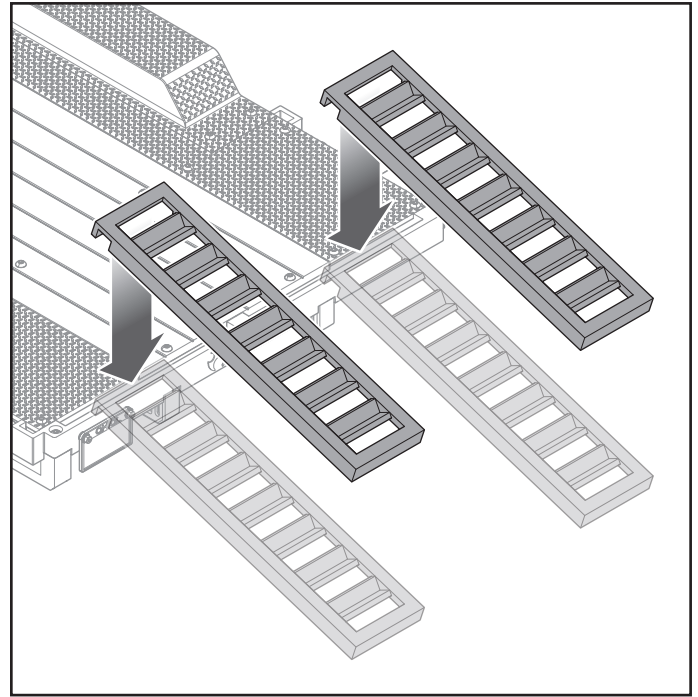
The vehicle ramps are stored at the rear of the trailer, on either side, under the frame.

To remove the ramps, rotate the retention clip on one side of the trailer a quarter turn. Slide the ramp out the side of the trailer. Repeat on the other side.



Install the notched end of the ramps over the slot on the rear of the trailer. The ramps may be installed anywhere along the slot to match the width of the vehicle being driven onto the trailer.

When finished with the ramps, insert them back into the storage slots and turn the retention clips to secure them.



LIMITED WARRANTY

What this Warranty Covers

Horizon Hobby, LLC, (Horizon) warrants to the original purchaser that the product purchased (the "Product") will be free from defects in materials and workmanship for a period of 2 years from the date of purchase.

What is Not Covered

This warranty is not transferable and does not cover (i) cosmetic damage, (ii) damage due to acts of God, accident, misuse, abuse, negligence, commercial use, or due to improper use, installation, operation or maintenance, (iii) modification of or to any part of the Product, (iv) attempted service by anyone other than a Horizon Hobby authorized service center, (v) Product not purchased from an authorized Horizon dealer, or (vi) Product not compliant with applicable technical regulations or (vii) use that violates any applicable laws, rules, or regulations.

OTHER THAN THE EXPRESS WARRANTY ABOVE, HORIZON MAKES NO OTHER WARRANTY OR REPRESENTATION, AND HEREBY DISCLAIMS ANY AND ALL IMPLIED WARRANTIES, INCLUDING, WITHOUT LIMITATION, THE IMPLIED WARRANTIES OF NON-INFRINGEMENT, MERCHANTABILITY AND FITNESS FOR A PARTICULAR PURPOSE. THE PURCHASER ACKNOWLEDGES THAT THEY ALONE HAVE DETERMINED THAT THE PRODUCT WILL SUITABLY MEET THE REQUIREMENTS OF THE PURCHASER'S INTENDED USE.

Purchaser's Remedy

Horizon's sole obligation and purchaser's sole and exclusive remedy shall be that Horizon will, at its option, either (i) service, or (ii) replace, any Product determined by Horizon to be defective. Horizon reserves the right to inspect any and all Product(s) involved in a warranty claim. Service or replacement decisions are at the sole discretion of Horizon. Proof of purchase is required for all warranty claims. SERVICE OR REPLACEMENT AS PROVIDED UNDER THIS WARRANTY IS THE PURCHASER'S SOLE AND EXCLUSIVE REMEDY.

Limitation of Liability

HORIZON SHALL NOT BE LIABLE FOR SPECIAL, INDIRECT, INCIDENTAL OR CONSEQUENTIAL DAMAGES, LOSS OF PROFITS OR PRODUCTION OR COMMERCIAL LOSS IN ANY WAY, REGARDLESS OF WHETHER SUCH CLAIM IS BASED IN CONTRACT, WARRANTY, TORT, NEGLIGENCE, STRICT LIABILITY OR ANY OTHER THEORY OF LIABILITY, EVEN IF HORIZON HAS BEEN ADVISED OF THE POSSIBILITY OF SUCH DAMAGES. Further, in no event shall the liability of Horizon exceed the individual price of the Product on which liability is asserted. As Horizon has no control over use, setup, final assembly, modification or misuse, no liability shall be assumed nor accepted for any resulting damage or injury. By the act of use, setup or assembly, the user accepts all resulting liability. If you as the purchaser or user are not prepared to accept the liability associated with the use of the Product, purchaser is advised to return the Product immediately in new and unused condition to the place of purchase.

Law

These terms are governed by Illinois law (without regard to conflict of law principals). This warranty gives you specific legal rights, and you may also have other rights which vary from state to state. Horizon reserves the right to change or modify this warranty at any time without notice.

WARRANTY SERVICES

Questions, Assistance, and Services

Your local hobby store and/or place of purchase cannot provide warranty support or service. Once assembly, setup or use of the Product has been started, you must contact your local distributor or Horizon directly. This will enable Horizon to better answer your questions and service you in the event that you may need any assistance. For questions or assistance, please visit our website at www.horizonhobby.com, submit a Product Support Inquiry, or call the toll free telephone number referenced in the Warranty and Service Contact Information section to speak with a Product Support representative.

Inspection or Services

If this Product needs to be inspected or serviced and is compliant in the country you live and use the Product in, please use the Horizon Online Service Request submission process found on our website or call Horizon to obtain a Return Merchandise Authorization (RMA) number. Pack the Product securely using a shipping carton. Please note that original boxes may be included, but are not designed to withstand the rigors of shipping without additional protection. Ship via a carrier that provides tracking and insurance for lost or damaged parcels, as Horizon is not responsible for merchandise until it arrives and is accepted at our facility. An Online Service Request is available at http://www.horizonhobby.com/content/service-center_render-service-center. If you do not have internet access, please contact Horizon Product Support to obtain a RMA number along with instructions for submitting your product for service. When calling Horizon, you will be asked to provide your complete name, street address, email address and phone number where you can be reached during business hours. When sending product into Horizon, please include your RMA number, a list of the included items, and a brief summary of the problem. A copy of your original sales receipt must be included for warranty consideration. Be sure your name, address, and RMA number are clearly written on the outside of the shipping carton.

NOTICE: Do not ship Li-Po batteries to Horizon. If you have any issue with a Li-Po battery, please contact the appropriate Horizon Product Support office.

Warranty Requirements

For Warranty consideration, you must include your original sales receipt verifying the proof-of-purchase date. Provided warranty

conditions have been met, your Product will be serviced or replaced free of charge. Service or replacement decisions are at the sole discretion of Horizon.

Non-Warranty Service

Should your service not be covered by warranty, service will be completed and payment will be required without notification or estimate of the expense unless the expense exceeds 50% of the retail purchase cost. By submitting the item for service you are agreeing to payment of the service without notification. Service estimates are available upon request. You must include this request with your item submitted for service. Non-warranty service estimates will be billed a minimum of 1/2 hour of labor. In addition you will be billed for return freight. Horizon accepts money orders and cashier's checks,

as well as Visa, MasterCard, American Express, and Discover cards. By submitting any item to Horizon for service, you are agreeing to Horizon's Terms and Conditions found on our website http://www.horizonhobby.com/content/service-center_render-service-center.

ATTENTION: Horizon service is limited to Product compliant in the country of use and ownership. If received, a non-compliant Product will not be serviced. Further, the sender will be responsible for arranging return shipment of the un-serviced Product, through a carrier of the sender's choice and at the sender's expense. Horizon will hold non-compliant Product for a period of 60 days from notification, after which it will be discarded.

10/15

WARRANTY AND SERVICE CONTACT INFORMATION

COUNTRY OF PURCHASE	HORIZON HOBBY	CONTACT INFORMATION	ADDRESS
United States of America	Horizon Service Center (Repairs and Repair Requests)	servicecenter.horizonhobby.com/RequestForm/	2904 Research Rd Champaign, IL 61822
	Horizon Product Support (Product Technical Assistance)	productsupport@horizonhobby.com 877-504-0233	
	Sales	websales@horizonhobby.com 800-338-4639	
European Union	Horizon Technischer Service	service@horizonhobby.eu	Hanskampring 9 D 22885 Barsbüttel, Germany
	Sales: Horizon Hobby GmbH	+49 (0) 4121 2655 100	



PARTS LISTS // TEILELISTEN // LISTE DES PIÈCES // ELENCO COMPONENTI

Part #	Description	Beschreibung	Description	Descrizione
AXI-4118	Trailer Frame Set: SCX10 Trailer	Anhängerrahmen-Satz: SCX10 Anhänger	Ensemble châssis de remorque : SCX10 Trailer	Set telaio rimorchio: SCX10 Trailer
AXI-4119	Hitch/Receiver Set: SCX10 Trailer	Anhängevorrichtung/Empfänger-Satz: SCX10 Anhänger	Ensemble attelage/récepteur : SCX10 Trailer	Set gancio/ricevitore: SCX10 Trailer
AXI-4120	Tire & Wheel Set, Mounted (2): SCX10 Trailer	Satz Reifen und Räder, montiert (2): SCX10 Anhänger	Ensemble pneus et roues, montés (2) : SCX10 Trailer	Set pneumatici e cerchi, montati (2): SCX10 Trailer
AXI-4121	Axle Parts Set: SCX10 Trailer	Achsteile-Satz: SCX10 Anhänger	Ensemble de pièces d'essieu : SCX10 Trailer	Set parti assale: SCX10 Trailer
AXI-4122	Bed/Fender Set: SCX10 Trailer	Unterbau/Kotflügel-Satz: SCX10 Anhänger	Ensemble plateau/garde-boue : SCX10 Trailer	Set cassone/parafanghi: SCX10 Trailer
AXI-4123	Ramp & Accessory Set: SCX10 Trailer	Rampen- und Zubehörsatz: SCX10 Anhänger	Ensemble rampes et accessoires : SCX10 Trailer	Set rampe e accessori: SCX10 Trailer
AXI234004	Susp Pivot Ball, Stainless Steel 7.5mm (10pc)	Schwenkkugel, Edelstahl 7,5mm (10Stck)	Rotule de suspension, acier inoxydable 7,5 mm (10 pièces)	Sfera perno sospensione, acciaio inox 7,5 mm (10)
AXI235110	M3 x 16mm Button Head Screw (10)	M3 x 16 mm, Rundkopfschraube (10)	Vis à tête bombée M3 x 16 mm (10)	Viti a testa tonda M3 x 16 mm (10)
AXI236176	Screw Shaft M3x2.0x11mm (10)	Gewindenschaft M3x2,0x11mm (10)	Tige de vis M3 x 2,0 x 11 mm (10)	Viti perno M3 x 2,0 x 11 mm (10)
AXI250010	6mm Body Clip with Tabs (8)	6mm Gehäuseklemme mit Laschen (8)	Attache de carrosserie de 6 mm avec languettes (8)	Clip da carrozzeria 6 mm con linguetta (8)
AXIC0012	Hex Socket Button Head M3x25mm Black (10)	M3 x 25 mm Sechskant-Rundkopf, Schwarz (10)	Douille à six pans à tête bombée M3 x 25 mm, noire (10)	Vite a testa bombata cava esagonale M3 x 25 mm Nero (10)
AXIC0116	Hex Socket Button Head M3x12mm Black (10)	M3 x 12 mm Sechskant-Rundkopf, Schwarz (10)	Douille à six pans à tête bombée M3 x 12 mm, noire (10)	Vite a testa bombata cava esagonale M3 x 12 mm Nero (10)
AXIC0221	Bearing 5x11x4mm (2)	Lager 5 x 11 x 4 mm (2)	Roulement 5 x 11 x 4 mm (2)	Cuscinetto 5 x 11x4 mm (2)
AXIC0286	Screw Shaft M4x2.5x12mm (6)	Schraubenschaft M4 x 2,5 x 12 mm (6)	Tige de vis M4 x 2,5 x 12 mm (6)	Viti perno M4 x 2,5 x 12 mm (6)
AXIC1180	Hex Socket Button Head M3x18mm (10)	Sechskant-Rundkopfschraube M3 x 18 mm (10)	Douille à six pans à tête bombée M3 x 18 mm (10)	Viti a testa bombata cava esagonale M3 x 18 mm (10)
AXIC1181	Hex Socket Button Head M3x20mm (10)	Sechskant-Rundkopfschraube M3 x 20 mm (10)	Douille à six pans à tête bombée M3 x 20 mm (10)	Viti a testa bombata cava esagonale M3 x 20 mm (10)
AXIC3066	Cap Head M2x8mm Black (10)	Inbusschraube M2 x 8 mm Schwarz (10)	Vis d'assemblage creuse M2 x 8 mm, noire (10)	Viti testa cilindrica esagono incassato M2 x 8 mm Nero (10)
AXIC3150	Serrated Nylon Lock Nut Black 4mm (10)	Nylon-Feststellflanschnutter, Schwarz, 4 mm (10)	Contre-écrou en nylon strié 4 mm (10)	Dado autobloccante in nylon zigrinato 4 mm Nero (10)
LOS-4278	Screw, M3 x 35mm, Button Head, Stl, BO	Schraube, M3 x 35mm, Rundkopf, Stl, BO	Vis, M3 x 35 mm, tête bombée, acier, BO	Vite, M3 x 35 mm, testa bombata, acciaio, BO
LOS-4282	Cap Head Screws, M2 x 20mm (10)	Inbusschrauben M2 x 20mm (10)	Vis d'assemblage, M2 x 20 mm (10)	Viti a testa cilindrica, M2 x 20 mm (10)

OPTIONAL PARTS // OPTIONALE TEILE // PIÈCES EN OPTION // PARTI OPZIONALI

Part #	Description	Beschreibung	Description	Descrizione
AXI-1543T1	1/10 UTB10 Capra 1.9 4WS 4X4 RTR Brushed Rock Crawler, Orange	1/10 UTB10 Capra 1.9 4WS 4X4 RTR Brushed Rock Crawler, Orange	Rock Crawler à balais RTR 4X4 4 roues directrices Capra 1,9 UTB10 à l'échelle 1/10, orange	1:10 UTB10 Capra 1.9 4WS 4X4 RTR Brushed Rock Crawler, Arancione
AXI-1543T2	1/10 UTB10 Capra 1.9 4WS 4X4 RTR Brushed Rock Crawler, Yellow	1/10 UTB10 Capra 1.9 4WS 4X4 RTR Brushed Rock Crawler, Gelb	Rock Crawler à balais RTR 4X4 4 roues directrices Capra 1,9 UTB10 à l'échelle 1/10, jaune	1:10 UTB10 Capra 1.9 4WS 4X4 RTR Brushed Rock Crawler, Giallo
AXI-2036T1	1/10 SCX10 III Coyote 4X4 RTR Brushed Rock Crawler, Silver	1/10 SCX10 III Coyote 4X4 RTR Brushed Rock Crawler, Silber	Rock Crawler à balais RTR 4X4 Coyote SCX10 III à l'échelle 1/10, argent	1:10 SCX10 III Coyote 4X4 RTR Brushed Rock Crawler, Argento
AXI-2036T2	1/10 SCX10 III Coyote 4X4 RTR Brushed Rock Crawler, Blue	1/10 SCX10 III Coyote 4X4 RTR Brushed Rock Crawler, Blau	Rock Crawler à balais RTR 4X4 Coyote SCX10 III à l'échelle 1/10, bleu	1:10 SCX10 III Coyote 4X4 RTR Brushed Rock Crawler, Blu
AXI-3071	SCX10III Coyote: 1/10 4WD RTR with Battery and Charger	SCX10III Coyote: 1/10 4WD RTR mit Akku und Ladegerät	Coyote SCX10 III : RTR 4 roues motrices à l'échelle 1/10 avec batterie et chargeur	SCX10III Coyote: 1:10 4WD RTR con batteria e caricabatterie
AXI03008V2T1	1/10 SCX10 III Jeep CJ-7 4X4 RTR Brushed Rock Crawler, Red	1/10 SCX10 III Jeep CJ-7 4X4 RTR Brushed Rock Crawler, Rot	Rock Crawler à balais RTR 4X4 Jeep CJ-7 SCX10 III à l'échelle 1/10, rouge	1:10 SCX10 III Jeep CJ-7 4X4 RTR Brushed Rock Crawler, Rosso
AXI03008V2T2	1/10 SCX10 III Jeep CJ-7 4X4 RTR Brushed Rock Crawler, Copper	1/10 SCX10 III Jeep CJ-7 4X4 RTR Brushed Rock Crawler, Kupfer	Rock Crawler à balais RTR 4X4 Jeep CJ-7 SCX10 III à l'échelle 1/10, cuivre	1:10 SCX10 III Jeep CJ-7 4X4 RTR Brushed Rock Crawler, Rame
AXI-2062T1	1/10 SCX10 III 1987 Toyota SR5 4X4 RTR Brushed Rock Crawler, Tan	1/10 SCX10 III 1987 Toyota SR5 4X4 RTR Brushed Rock Crawler, Braun	Rock Crawler à balais RTR 4X4 Toyota SR5 1987 SCX10 III à l'échelle 1/10, beige	1:10 SCX10 III 1987 Toyota SR5 4X4 RTR Brushed Rock Crawler, Marroncino
AXI-2062T2	1/10 SCX10 III 1987 Toyota SR5 4X4 RTR Brushed Rock Crawler, Red	1/10 SCX10 III 1987 Toyota SR5 4X4 RTR Brushed Rock Crawler, Rot	Rock Crawler à balais RTR 4X4 Toyota SR5 1987 SCX10 III à l'échelle 1/10, rouge	1:10 SCX10 III 1987 Toyota SR5 4X4 RTR Brushed Rock Crawler, Rosso
DYNT0500	Startup Tool Set: ECX/VTR/HPI	Startup-Werkzeugsatz: ECX/VTR/HPI	Ensemble d'outils de démarrage : ECX/VTR/HPI	Set attrezzi base: ECX/VTR/HPI
PRO284200	1/10 Holcomb F/R 1.55" 12mm Crawler Bead-Loc Wheels (2) Black	1/10 Holcomb F/R 1.55" 12 mm Crawler Bead-Loc Räder (2) Schwarz	Roues à verrou de talon Crawler 12 mm de 1,55 po (4 cm) Holcomb avant/arrière à l'échelle 1/10 (2) noires	Ruote Bead-Lock Crawler 1:10 Holcomb 1.55" 12 mm anteriori/posteriori (2) Nere

facebook.com/axialinc | instagram.com/axialracing | twitter.com/axialrc
youtube.com/axialvideos | flickr.com/axialrc



WWW.AXIALADVENTURE.COM