

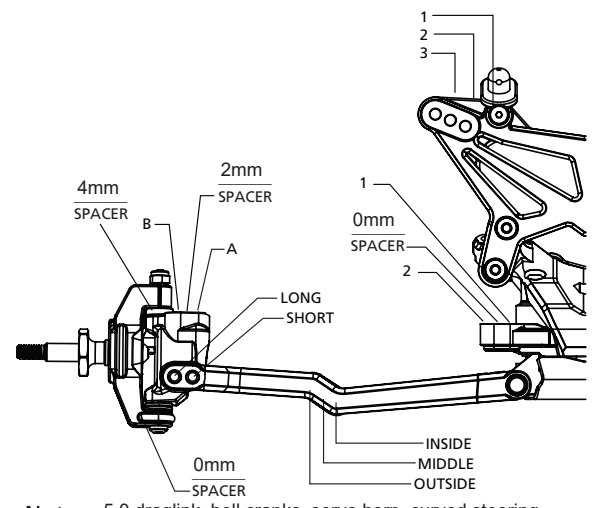
Name: Matthew Williby Date: Feb 2020 Event: Clubbin'
 City: Huntington Beach State: CA Track: OCRC Raceway



Track Conditions: Indoor Tight Smooth Hard Packed Blue Groove Wet Grass Low Bite High Bite
 Outdoor Open Rough Loose/Loamy Dry Dusty Astro Turf Med Bite Other _____

Front Suspension

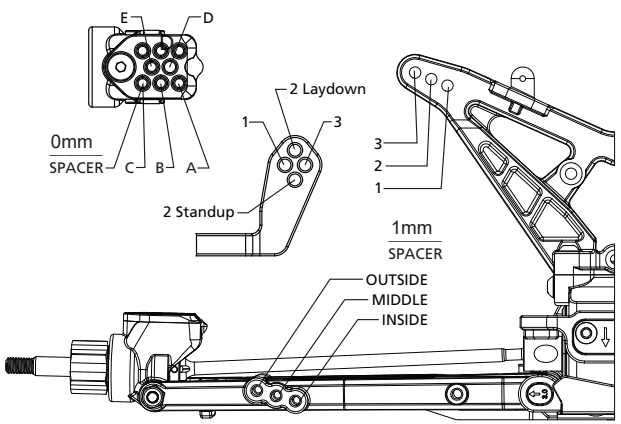
Toe: -1 deg
 Ride Height: 28mm body off Camber: -1 deg
 Caster: 0° 5°
 Kick Angle: 20° 25° 30°
 VLA Setting: Short Arm Long Arm
 Front Pivot: Alum Plastic HRC Alum HRC
 Kick Shim: Brass Plastic
 Oil: 35wt
 Piston: 2x1.6 (standard)
 Spring: Standard Low Freq. Color: KYOXGS024 Gold
 Sway Bar: 0.8mm 1.0mm 1.2mm _____
 Shock Limiters: 1mm Stroke: 28mm
 Shock Locations: 2 - Middle
 Spindle Ball Stud: Standard Low Mount
 Bump Steer Spacers: -
 Ackerman Ball Stud: Standard Low Mount
 Ackerman Spacers: -
 Ackerman Arm: #1 #2 #3 #5 from 5.0 buggy
 Trail: 2mm 3mm 4mm
 Camber Link: 2 - A / SC aluminum front camber link



Notes: 5.0 draglink, bell cranks, servo horn, curved steering ballcups. Aluminum Servo/Chassis Brace Mounts
 ELITE C and D mount (pills .5 down)
 Exotek Rear Hub / ballstud is a low mount

Rear Suspension

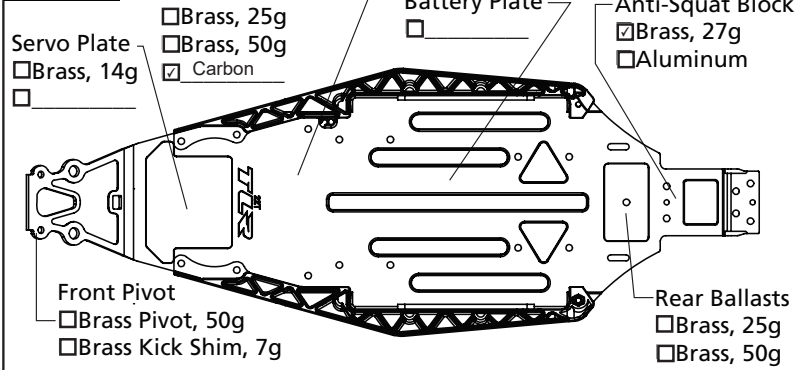
Configuration: Laydown Standup
 LD Diff. Height: Standard +3.5mm
 Transmission Type: 3-Gear 4-Gear
 Toe Inserts: 0.5 1 1.5 2 2.5 3 3.5 4
 Anti-Squat Inserts: 0 0.5 1 1.5 2 2.5 3
 Inner Roll Center: LRC HRC
 Ride Height: 28mm body off Camber: -1*
 Rear Hub Spacing: Middle
 Rear Axle Height: Standard +3mm
 Hex Width: SCT standard
 Sway Bar: 1.0mm 1.2mm 1.4mm _____
 Oil: 30wt
 Piston: 2x1.7 + 1x1.10
 Spring: Standard Low Freq. Color: KYOXGS014 Red
 Shock Limiters: 0mm Stroke: 36mm
 Shock Locations: 2 - Middle
 Shock Mounting: Front Rear
 Inner Link Spacer: -1mm 0mm +1mm
 Camber Link: 2 - B
 Battery Position: Against Waterfall
 Diff Type: Ball Gear Setting: 1/2 Rotation, Tight
 Driveshaft Length: CVA Universal Length: 94mm



Electronics

Radio: Sanwa M12 Timing Advance: Blinky
 Servo: SPMSS6240 Throttle/Brake Expo: 0
 ESC: HW Stock Spec 80A Servo Expo: 0
 Initial Brake: 0 Throttle/Brake EPA: 100/60
 Drag Brake: 0 Motor: Schuur Speed V4 17.5T
 Throttle Profile: 30 Pinion: 22 Spur: 81
 Battery: IP 6000mAh

Chassis



Tires

	Front	Rear
Tire:	PL Electron	PL Positron
Compound:	MC	MC
Insert:	JC Gray	JC Gray
Additive:	Yellow LW	Yellow LW

Notes: _____

