

RC4WD

TRAIL FINDER 2

TOYOTA

Land Cruiser FJ55

RC4WD TRAIL FINDER 2 TRUCK KIT "LWB" W/ 1980 TOYOTA LAND CRUISER FJ55 LEXAN BODY SET

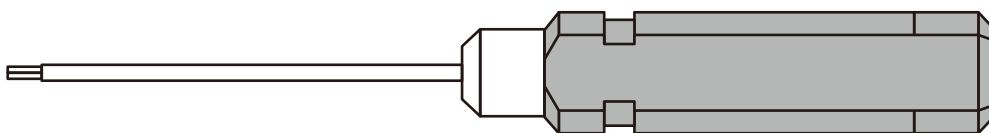


OFFICIALLY
LICENSED



TOYOTA

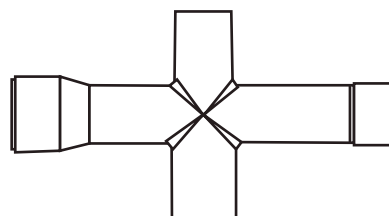
Recommended Tools



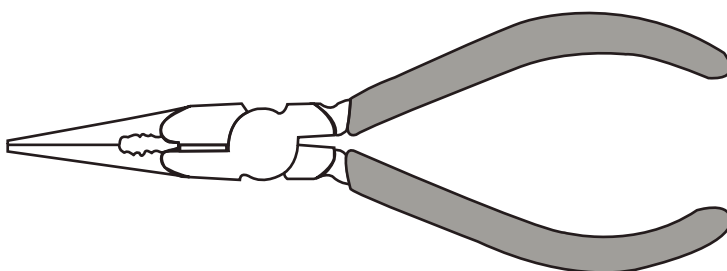
Hex Drivers (1.5mm, 2mm, 2.5mm)



Thread Lock



Cross Wrench



Long Nose Pliers

Tips for Assembly

Use good quality hex drivers to avoid stripping screw heads.

Use thread lock when putting metal screws into metal parts.

Note: Steps marked with an asterisk (*) require thread lock.

Use thread lock sparingly.

Do not over tighten screws otherwise you may strip the thread.



Warranty

RC4WD non-electrical products are warranted to be free of defects in materials and workmanship when new. Our limited warranty does not cover damages due to normal wear and tear, user error of assembly or installation, user modifications, user's failure to perform routine maintenance, addition of aftermarket parts or option parts. This warranty lasts 30 days after arrival for original purchaser.

In the event of a defect under this warranty, RC4WD will, at our discretion, replace the product, provided our inspection indicates that an original defect exists. RC4WD reserves the right to replace any product which is no longer available with a product of comparable value and function. If RC4WD determines the repair is not covered under warranty guidelines, we will contact you to discuss your options. If you have any questions, please contact us via email at support@rc4wd.com.

RC4WD warrants its electronics for 30 days from date of arrival. This covers all electrical items except items that are already noted on the individual product page.

Los productos no eléctricos RC4WD están garantizados como libres de defectos en materiales y mano de obra cuando son nuevos. Nuestra garantía limitada no cubre los daños debidos al desgaste normal, a errores de montaje o instalación por parte del usuario, a modificaciones del usuario, a la falta de mantenimiento rutinario por parte del usuario, a la adición de piezas de recambio o a piezas opcionales. Esta garantía dura 30 días después de la fecha de entrega para el comprador original.

En el caso de un defecto bajo esta garantía, RC4WD, a nuestra discreción, reemplazará el producto, siempre que nuestra inspección indique que existe un defecto original. RC4WD se reserva el derecho de sustituir cualquier producto que ya no esté disponible por otro de valor y función comparables. Si RC4WD determina que la reparación no está cubierta por la garantía, nos pondremos en contacto con usted para discutir sus opciones. Si tiene alguna pregunta, por favor contáctenos por correo electrónico a support@rc4wd.com.

RC4WD garantiza su electrónica por 30 días a partir de la fecha de entrega. Esto cubre todos los artículos eléctricos, excepto los que ya están anotados en la página del producto individual.

Les produits non électriques RC4WD sont garantis comme étant exempts de défauts de matériaux et de fabrication lorsqu'ils sont neufs. La garantie limitée ne couvre pas les dommages dus à l'usure normale, aux erreurs de montage ou d'installation de l'utilisateur, aux modifications apportées par l'utilisateur, au défaut d'entretien courant de l'utilisateur, à l'ajout de pièces de rechange ou de pièces optionnelles. Cette garantie dure 30 jours à compter de la date d'arrivée de l'acheteur initial.

En cas de défaut au titre de cette garantie, RC4WD remplacera, à notre discrétion, le produit, à condition que notre inspection indique qu'il s'agit d'un défaut d'origine. RC4WD se réserve le droit de remplacer tout produit indisponible par un produit de valeur et de fonction comparables. Si RC4WD détermine que la réparation n'est pas couverte par les directives de garantie, nous vous contacterons pour discuter des possibilités qui s'offrent à vous. Si vous avez des questions, veuillez nous contacter par courriel à support@rc4wd.com.

RC4WD garantit ses appareils électroniques pendant 30 jours à compter de la date d'arrivée. Cette garantie couvre tous les articles électriques, à l'exception de ceux qui sont déjà mentionnés sur la page de chaque produit.

Alle RC4WD, nicht elektrischen Produkte" sind garantiert frei von Materialfehlern durch die Produktion und Verarbeitung. Die Garantie deckt nicht Schäden aufgrund normaler Abnutzung, Benutzerfehler bei der Montage oder Installation, Änderungen durch den Benutzer, unterlassen der routinemäßigen Wartung durch den Benutzer, hinzufügen von Fremdteilen oder Optionsteile. Diese Garantie beträgt 30 Tage nach Kauf und Erhalt der Ware durch den Käufer. Im Falle eines Mangels im Rahmen dieser Garantie, wird RC4WD nach Ermessen und sofern nach einer Kontrolle ein ursprünglicher Defekt vorliegt, das Produkt austauschen.

RC4WD behält sich das Recht vor, Produkte die nicht mehr erhältlich sind, mit einem gleichwertigem Produkt mit vergleichbarer Funktion zu tauschen.

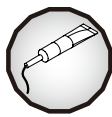
Wenn die Reklamation nicht mehr unter der Garantie fällt, wird Sie RC4WD für weitere Lösungen kontaktieren. Bei Fragen kontaktieren Sie uns bitte per E-Mail unter support@rc4wd.com.



Instruction Manual Symbols Key



Apply Thread Lock



Apply Grease



Glue



Trim with Hobby Knife



CA Glue



Remove



Cut with Scissors



Repeat or Build Multiple



Build Right and Left



Paint



Attention



Build Front and Rear

Tips for Assembly

- Use good quality hex drivers to avoid stripping screw heads.
- Open kit bags in order of assembly steps.
- Use “Step” index for quantity and size of hardware to be used for assembly.
- Do not over tighten screws.
- Use thread lock sparingly on metal parts.

Recommendations for building your RC4WD Trail Finder 2 Truck Kit LWB

1. Carefully remove all parts from bags and sort them. Make sure to use threadlock on all screws in aluminum.
2. Do not over-tighten screws. Stripping screw heads and holes during assembly can happen if you are using too much force.

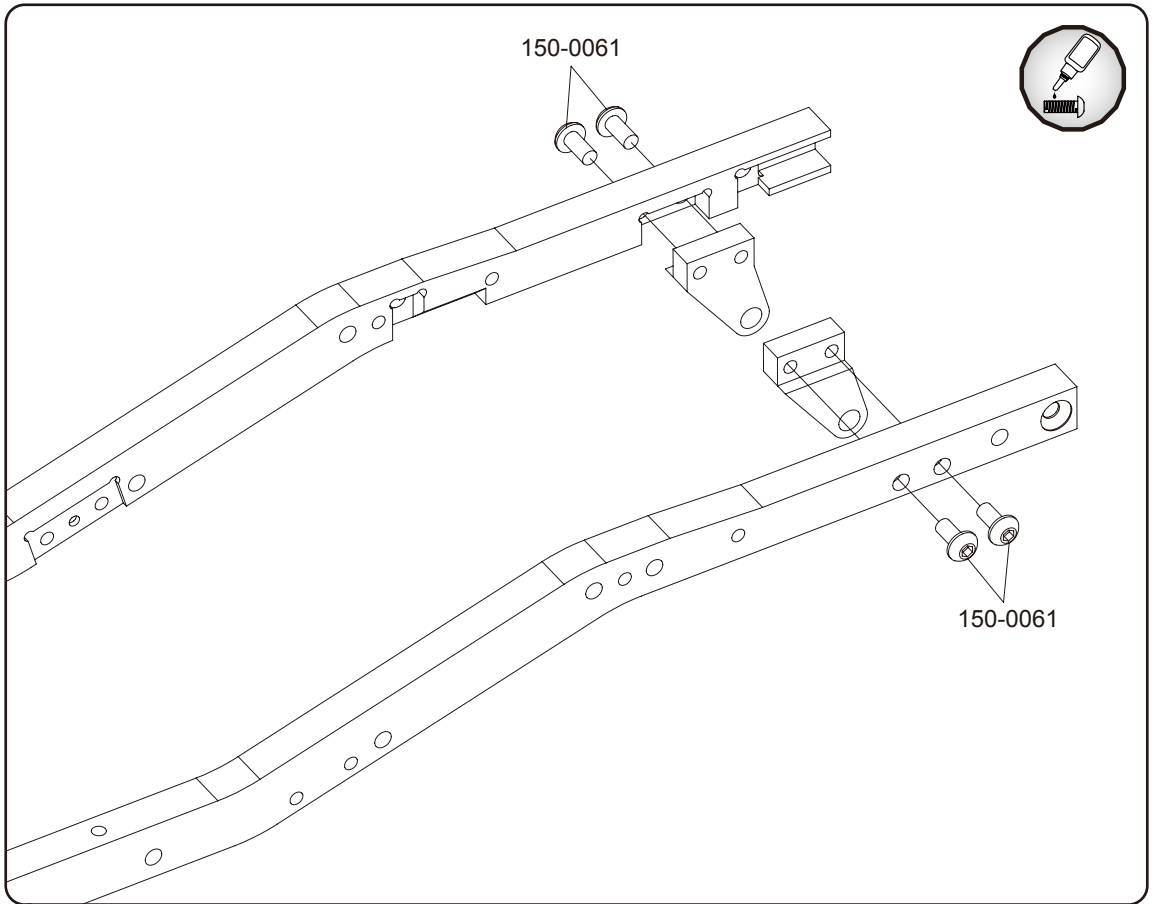


RC4WD

Step 1



150-0061
M3 x 6mm BHCS

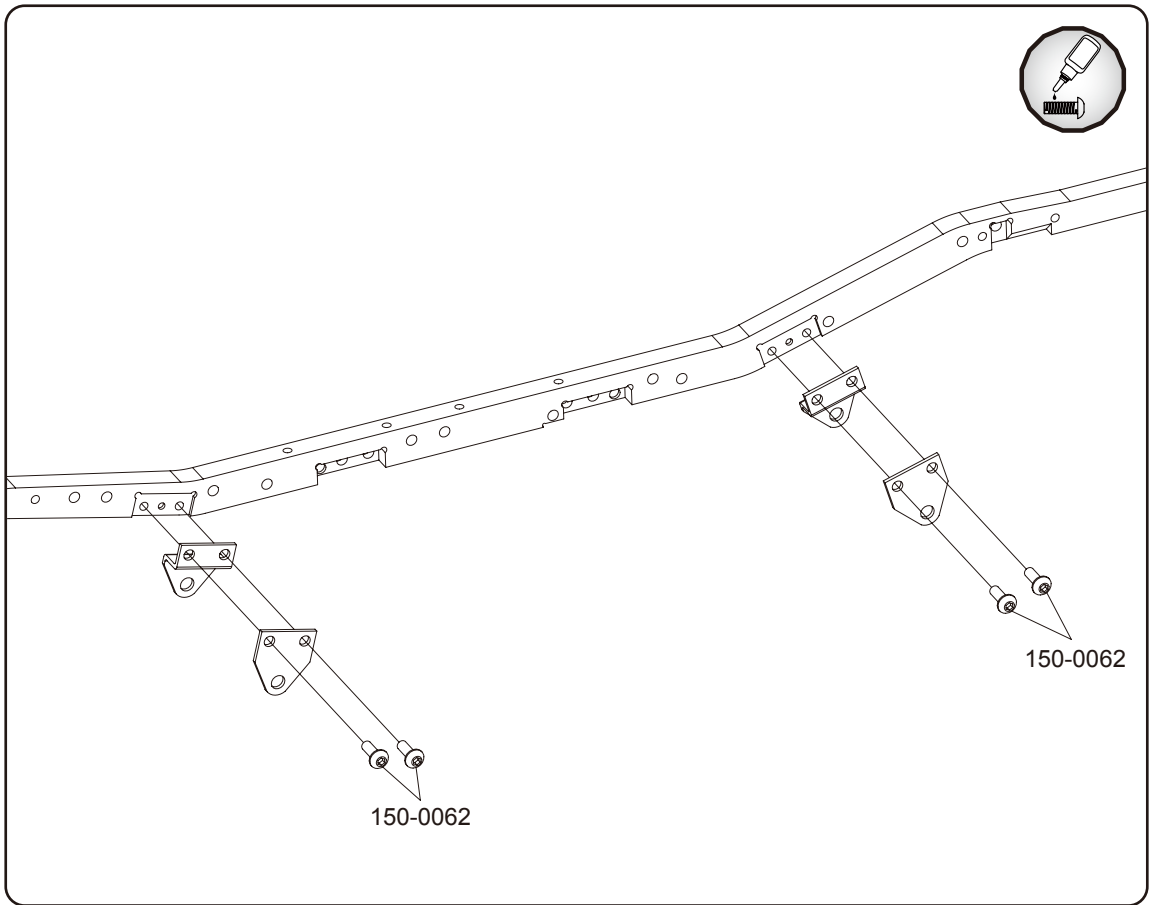


RC4WD

Step 2



150-0062
M3 x 8mm BHCS



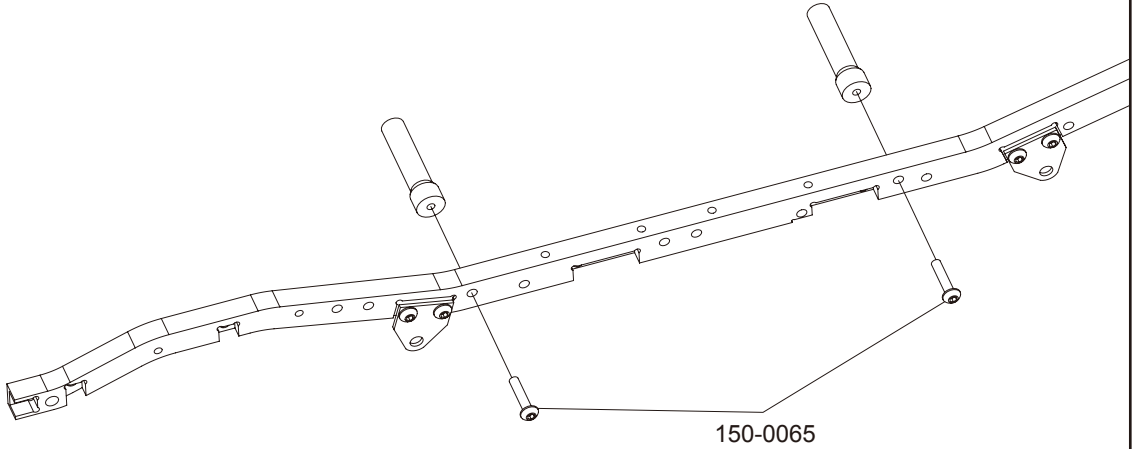
RC4WD

Step 3



X2

150-0065
M3 x 14mm BHCS



150-0065

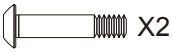
RC4WD

Step 4



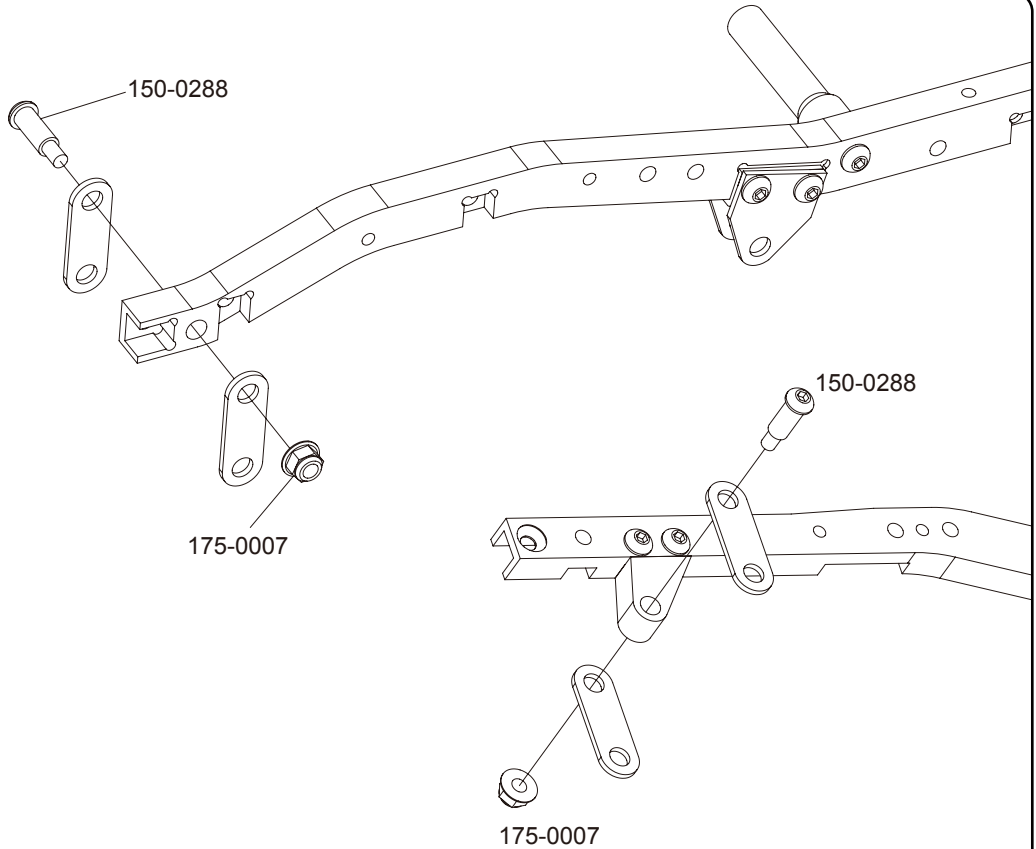
X2

175-0007
M3 Black Lock Nut



X2

150-0288
M3 x 15mm
Shoulder Screw



150-0288


150-0288

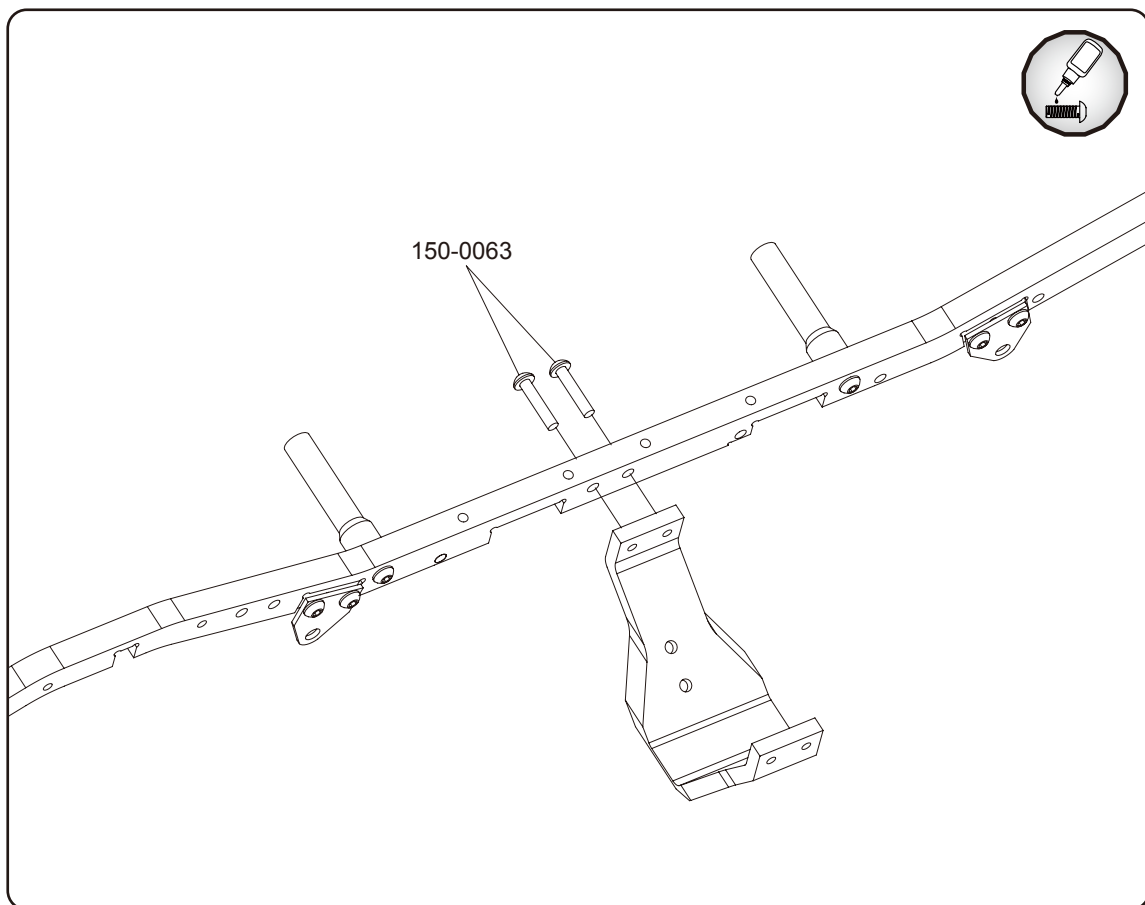
175-0007

175-0007




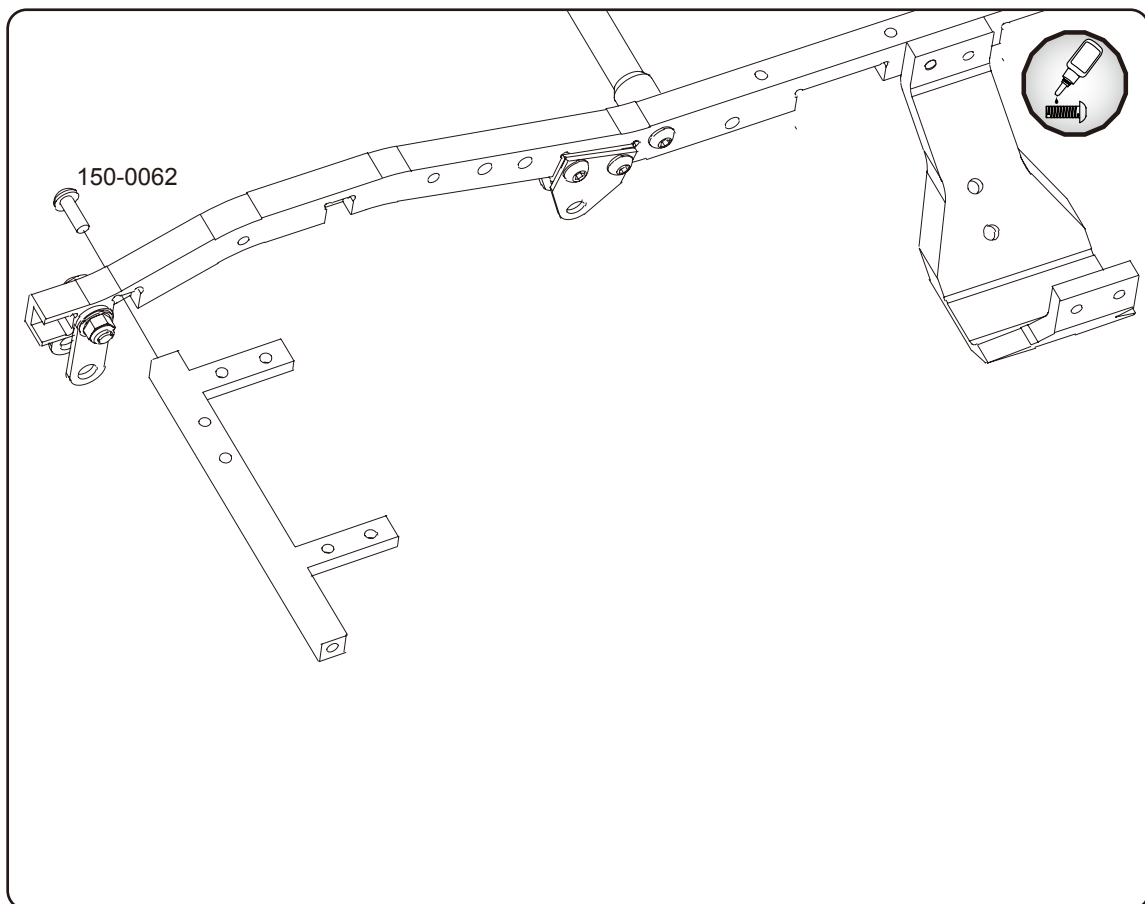
RC4WD
Step 5

 X2
150-0063
M3 x 10mm BHCS




RC4WD
Step 6


 X1
150-0062
M3 x 8mm BHCS

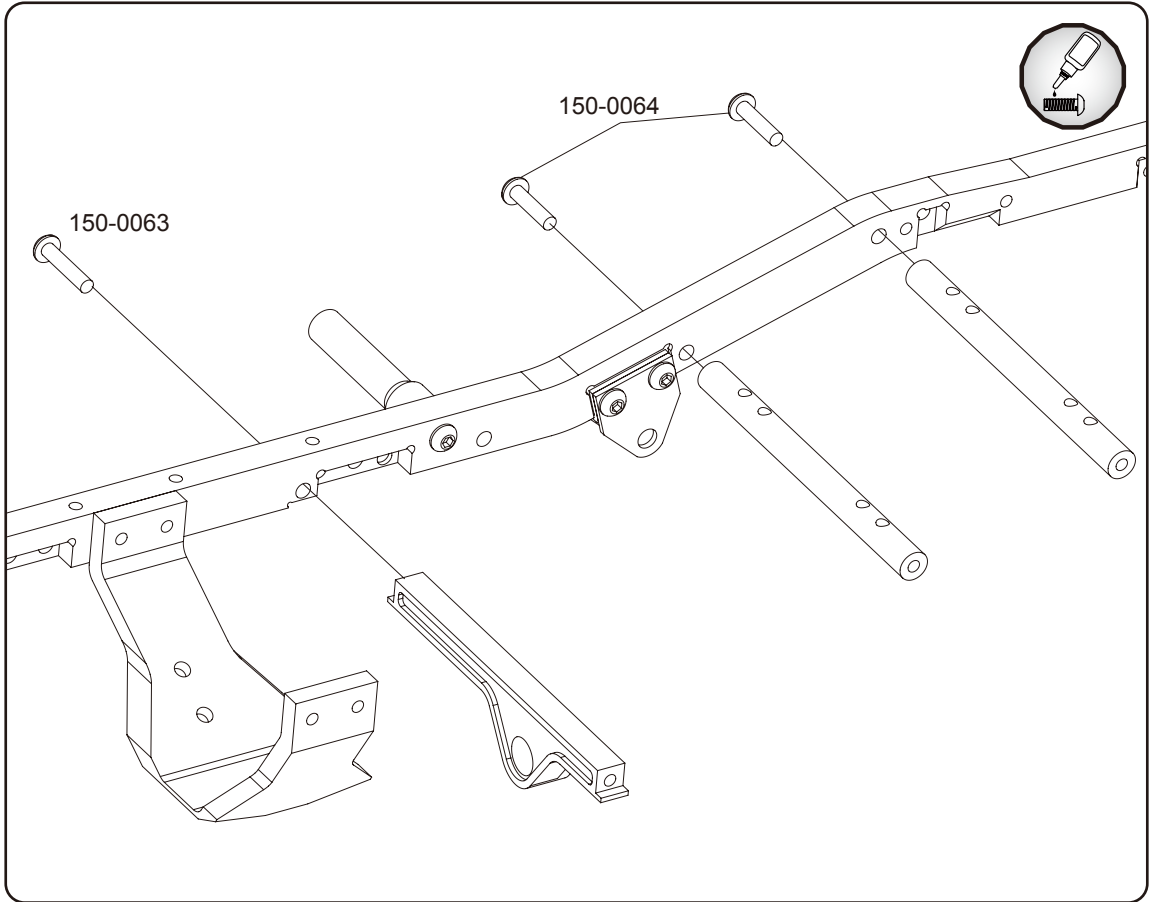


RC4WD

Step 7


 X1
150-0063
M3 x 10mm BHCS

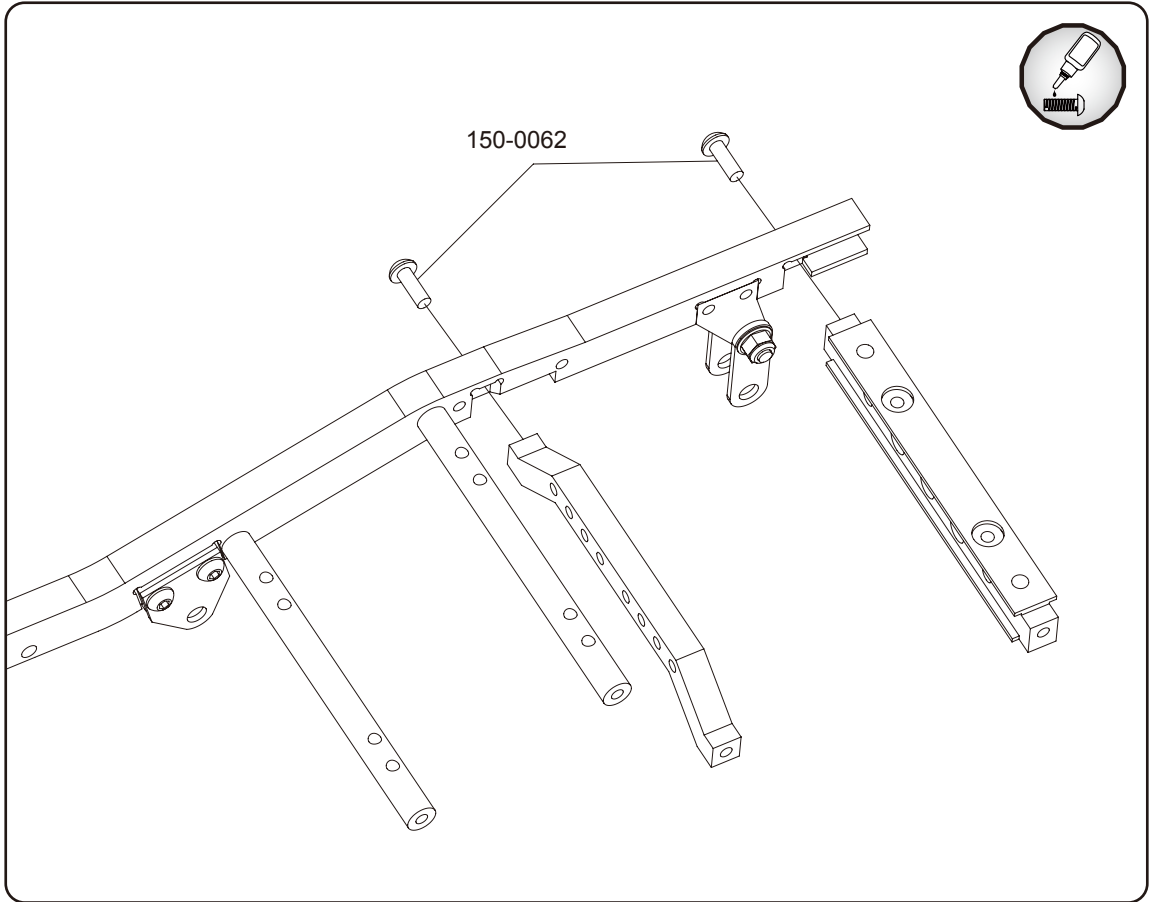
 X2
150-0064
M3 x 12mm BHCS



RC4WD

Step 8

 X2
150-0062
M3 x 8mm BHCS



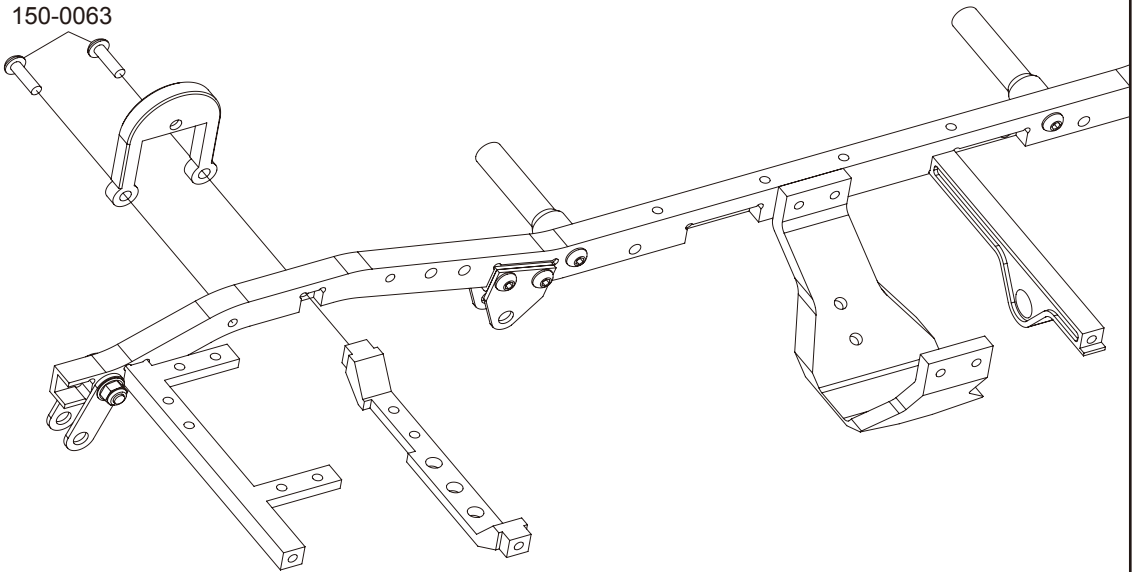
RC4WD

Step 9



X2

150-0063
M3 x 10mm BHCS



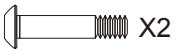
RC4WD

Step 10



X4

150-0062
M3 x 8mm BHCS



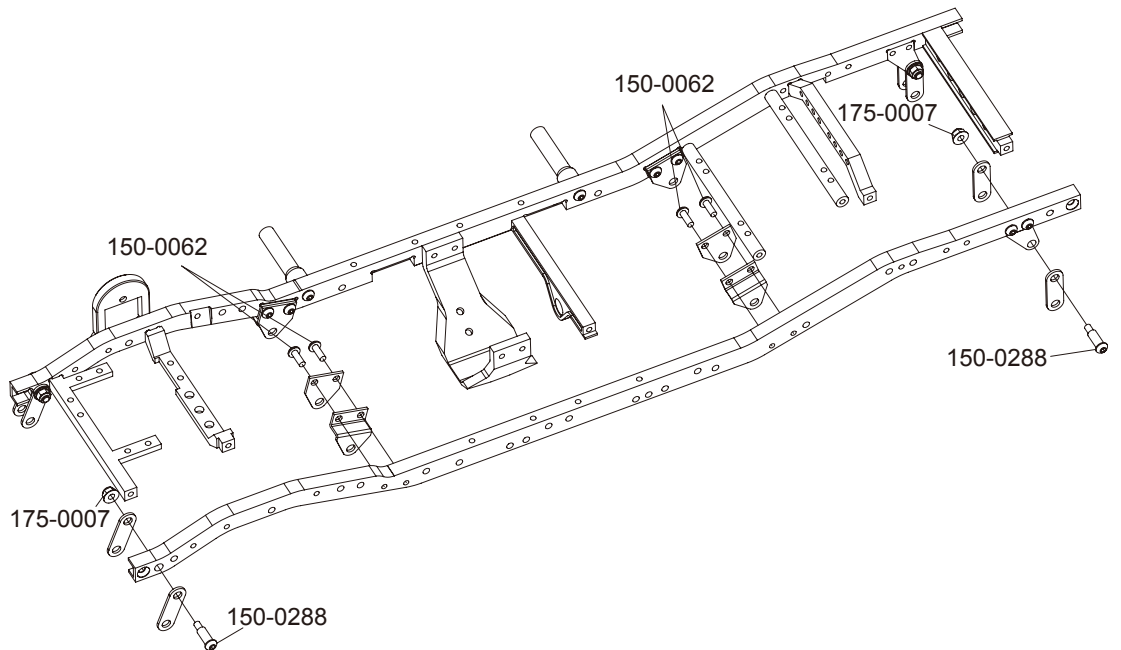
X2

150-0288
M3 x 15mm
Shoulder Screw



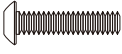
X2

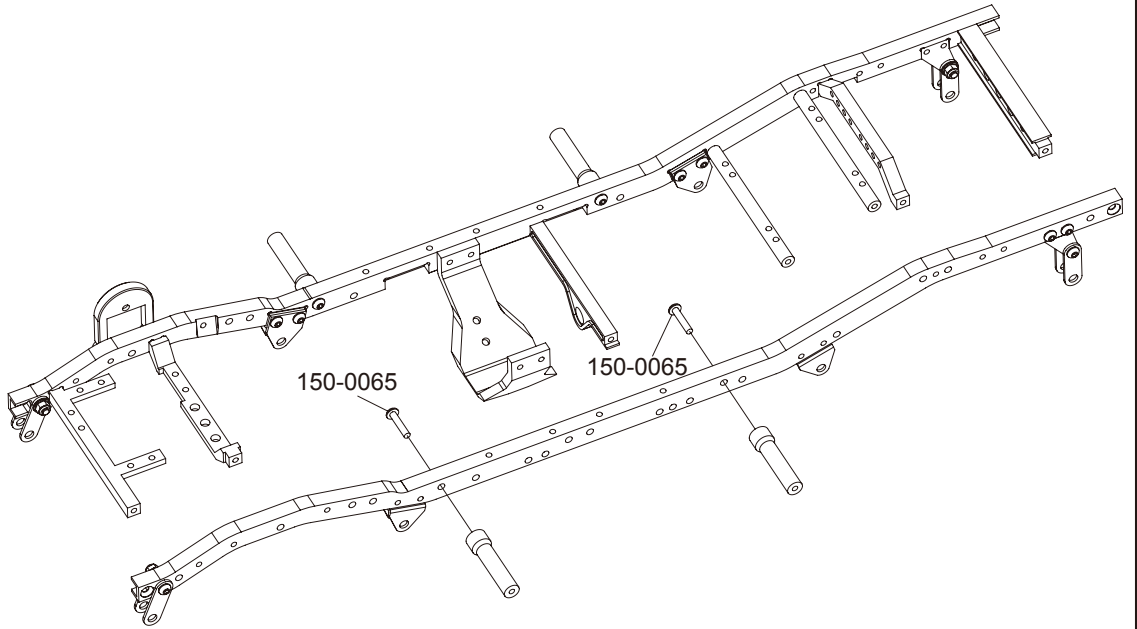
175-0007
M3 Black Lock Nut



RC4WD


Step 11

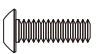
 X2
 150-0065
 M3 x 14mm BHCS




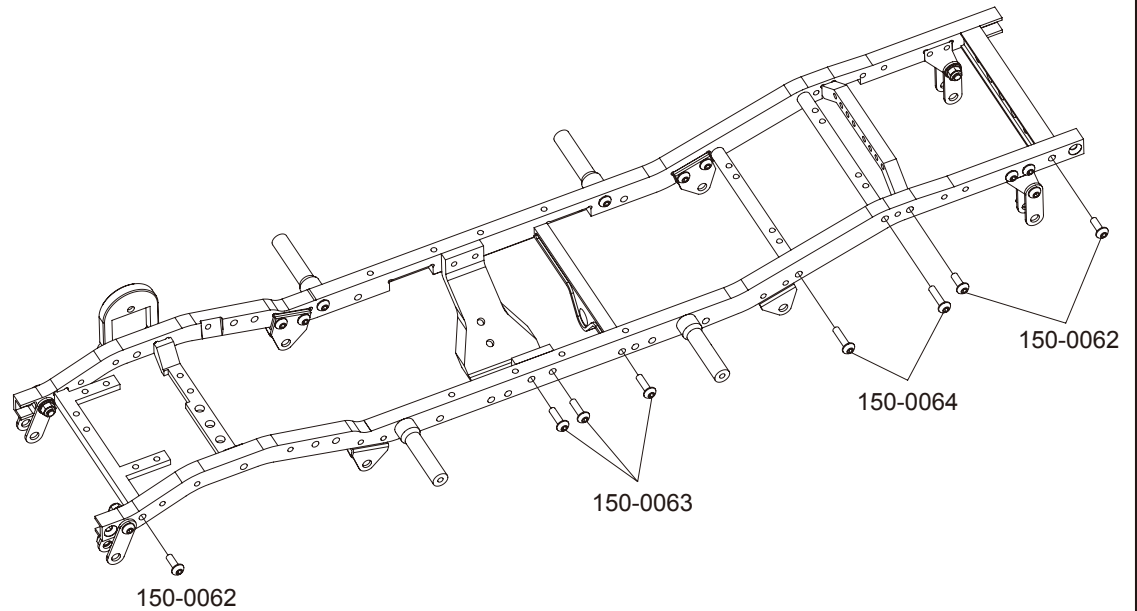
RC4WD

Step 12


 X3
 150-0062
 M3 x 8mm BHCS

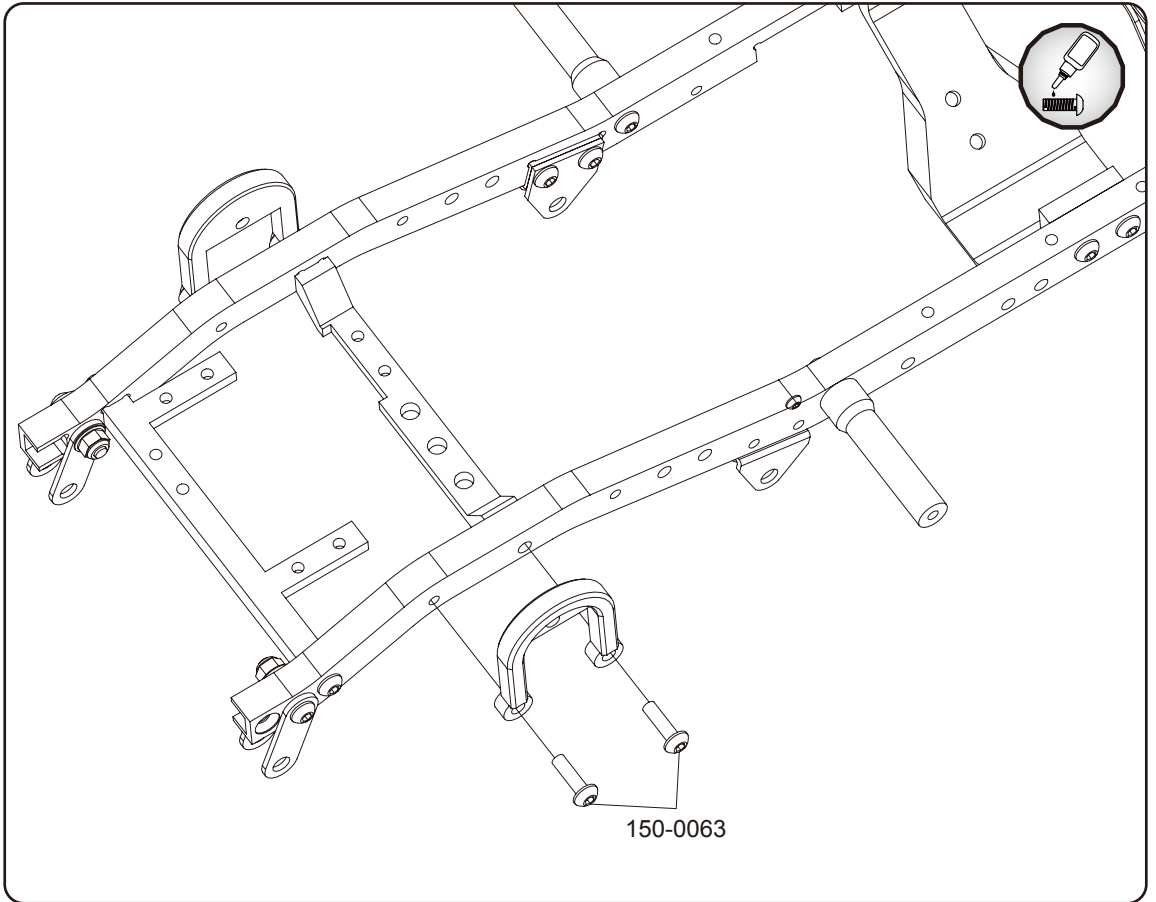
 X3
 150-0063
 M3 x 10mm BHCS

 X2
 150-0064
 M3 x 12mm BHCS



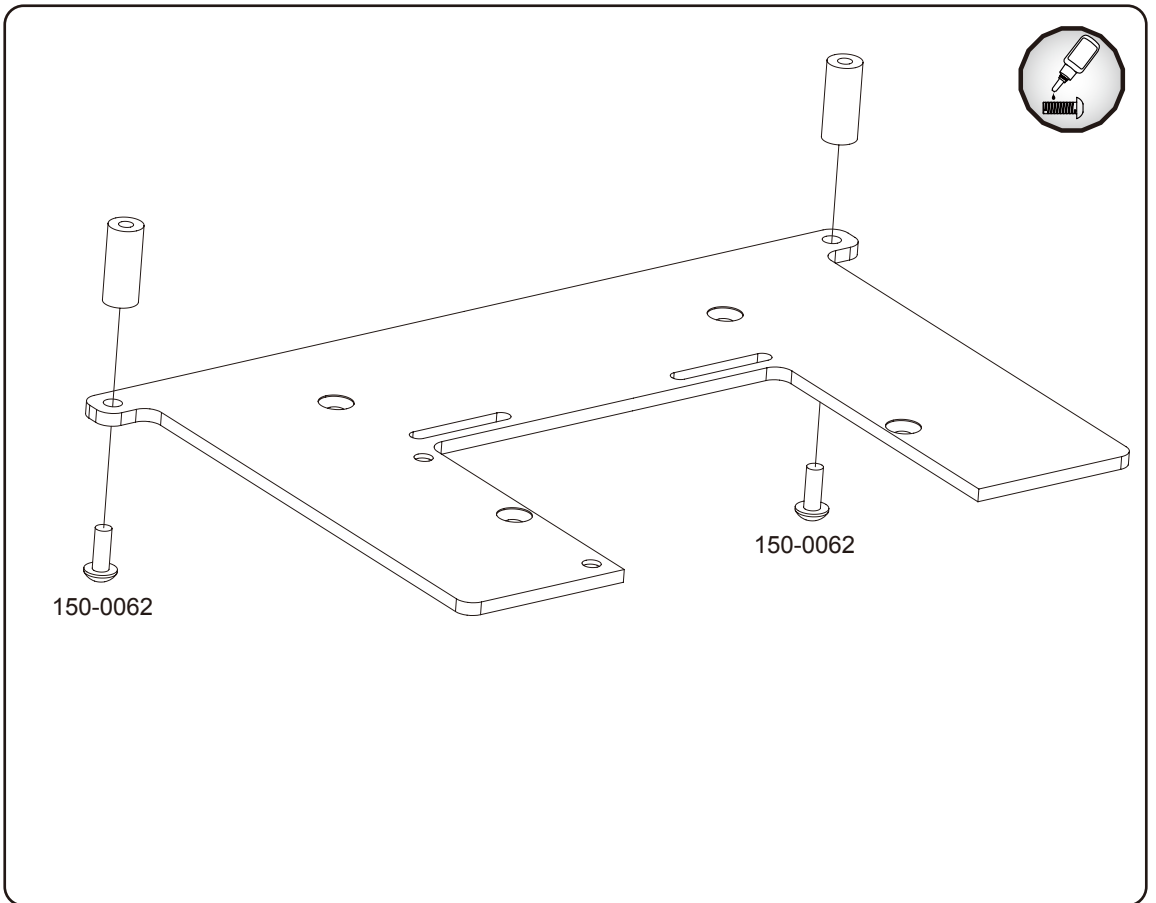
RC4WD
Step 13

 X2
150-0063
M3 x 10mm BHCS



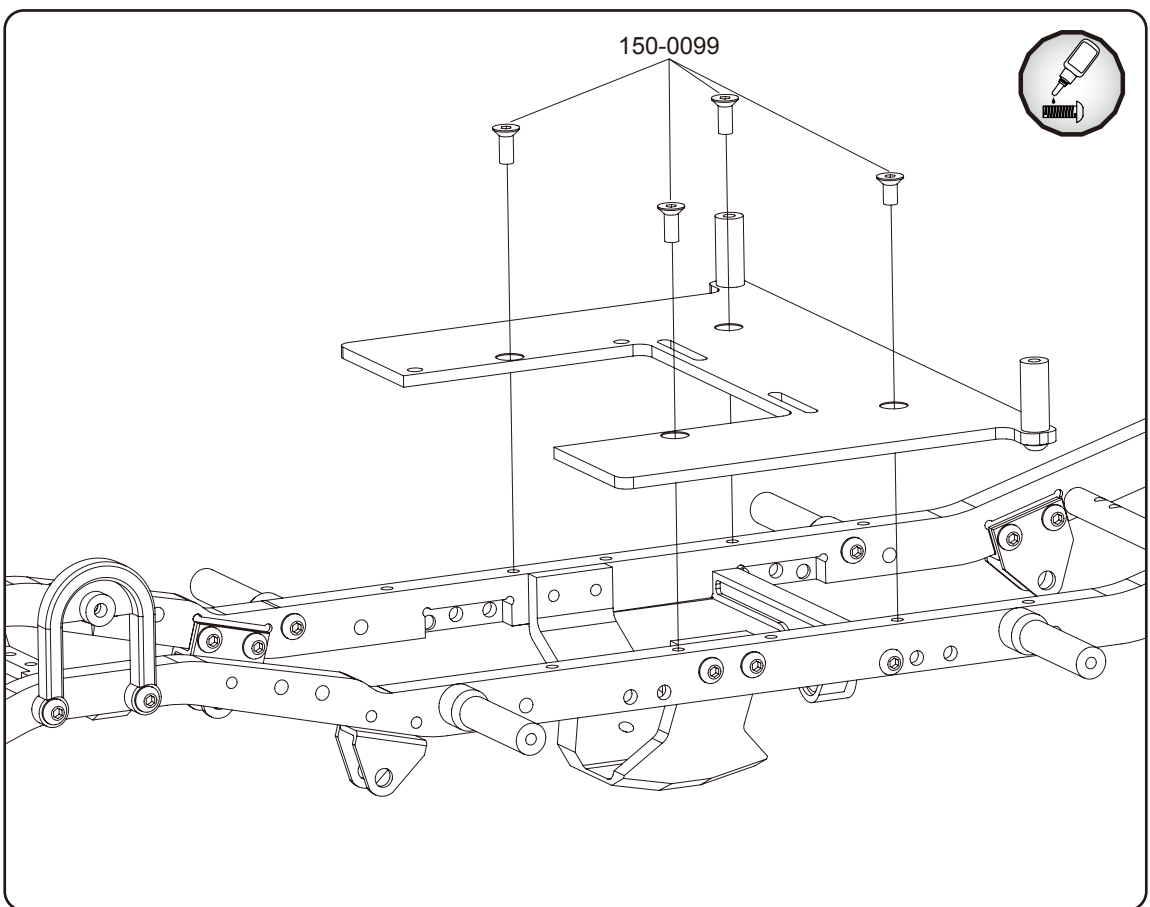
RC4WD
Step 14

 X2
150-0062
M3 x 8mm BHCS




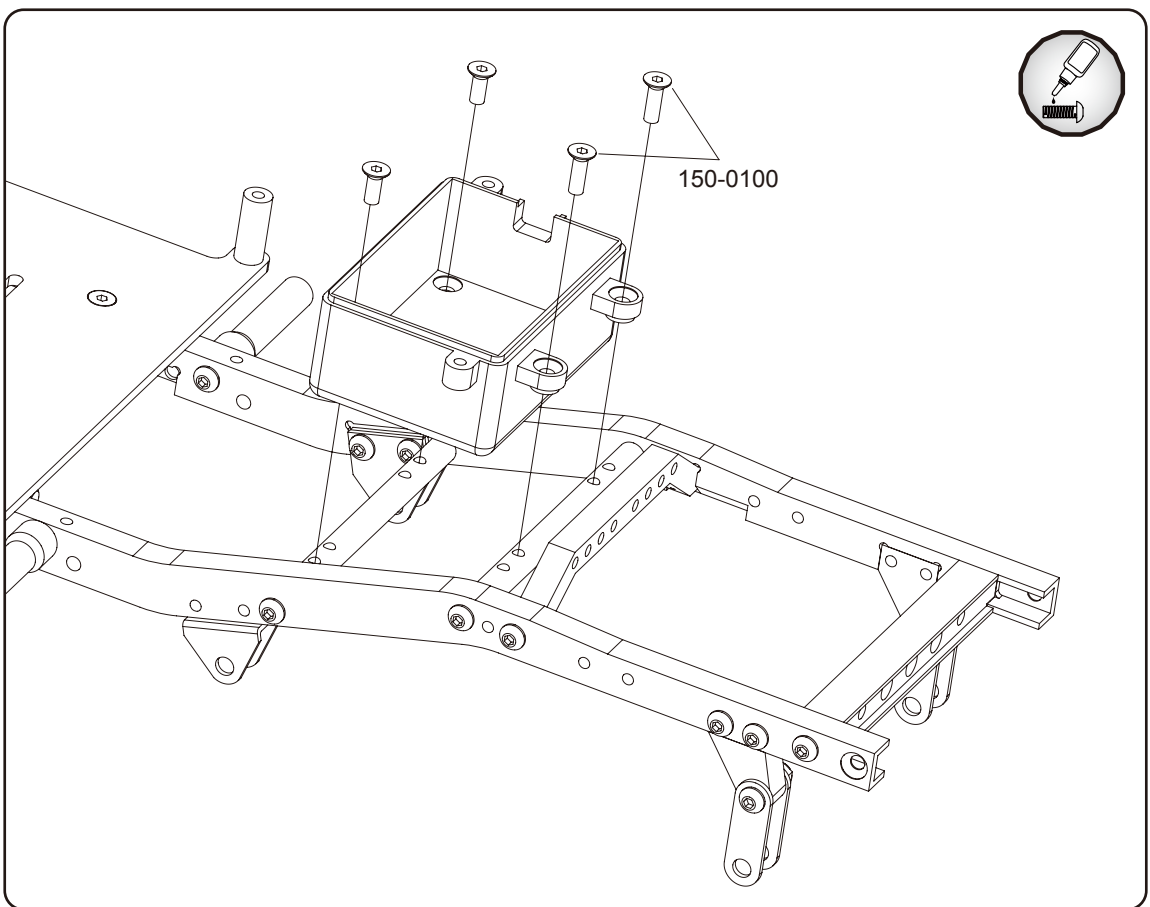
RC4WD Step 15

 X4
150-0099
M3 x 6mm FHCS




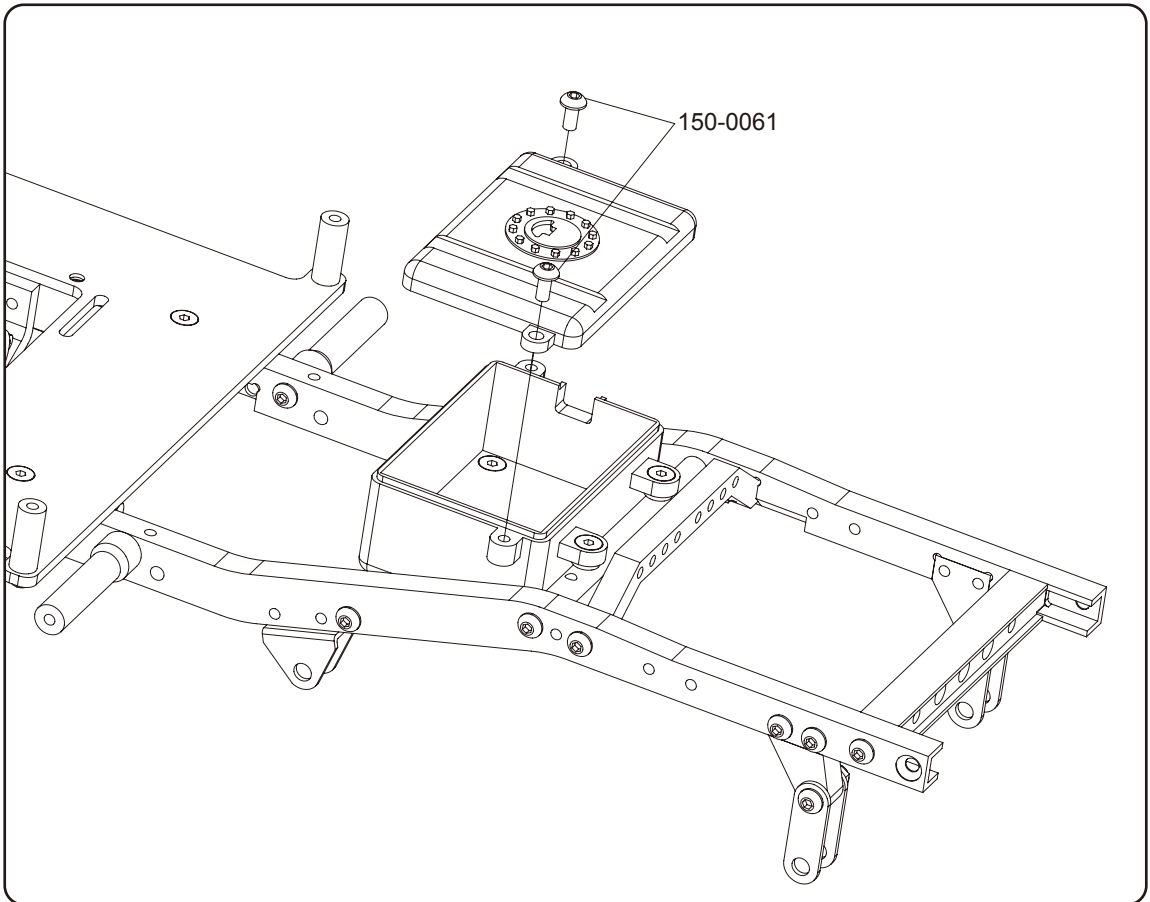
RC4WD Step 16

 X4
150-0100
M3 x 8mm FHCS



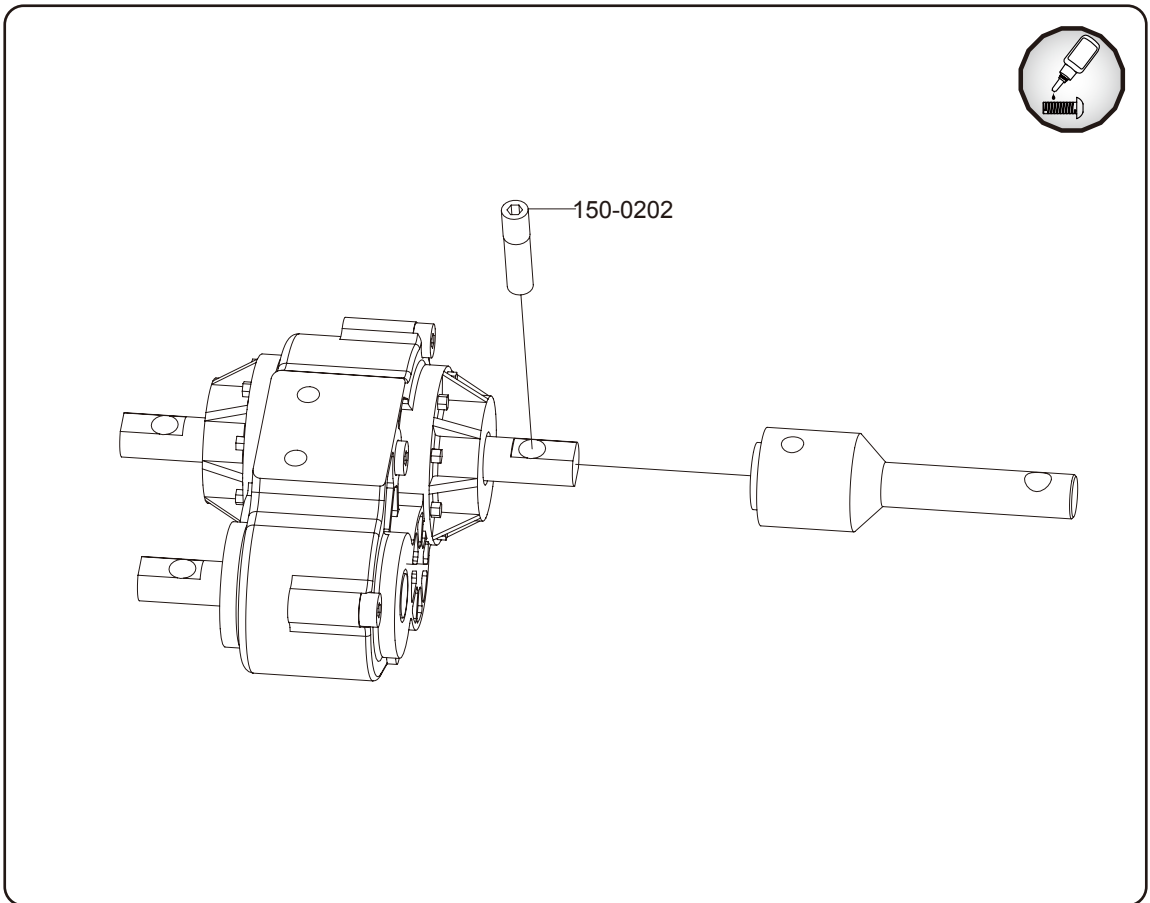
RC4WD Step 17

 X2
150-0061
M3 x 6mm BHCS




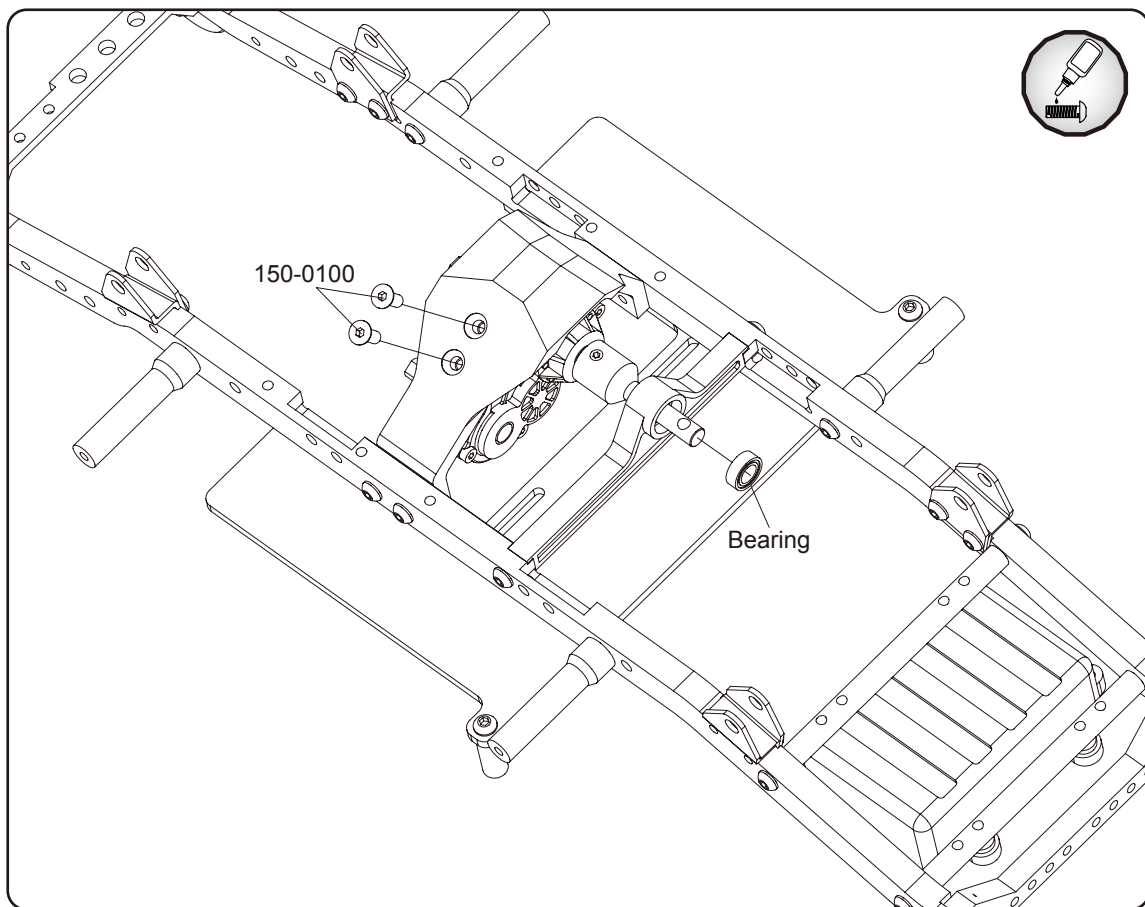
RC4WD Step 18

 X1
150-0202
M3 Drive Shaft Pin




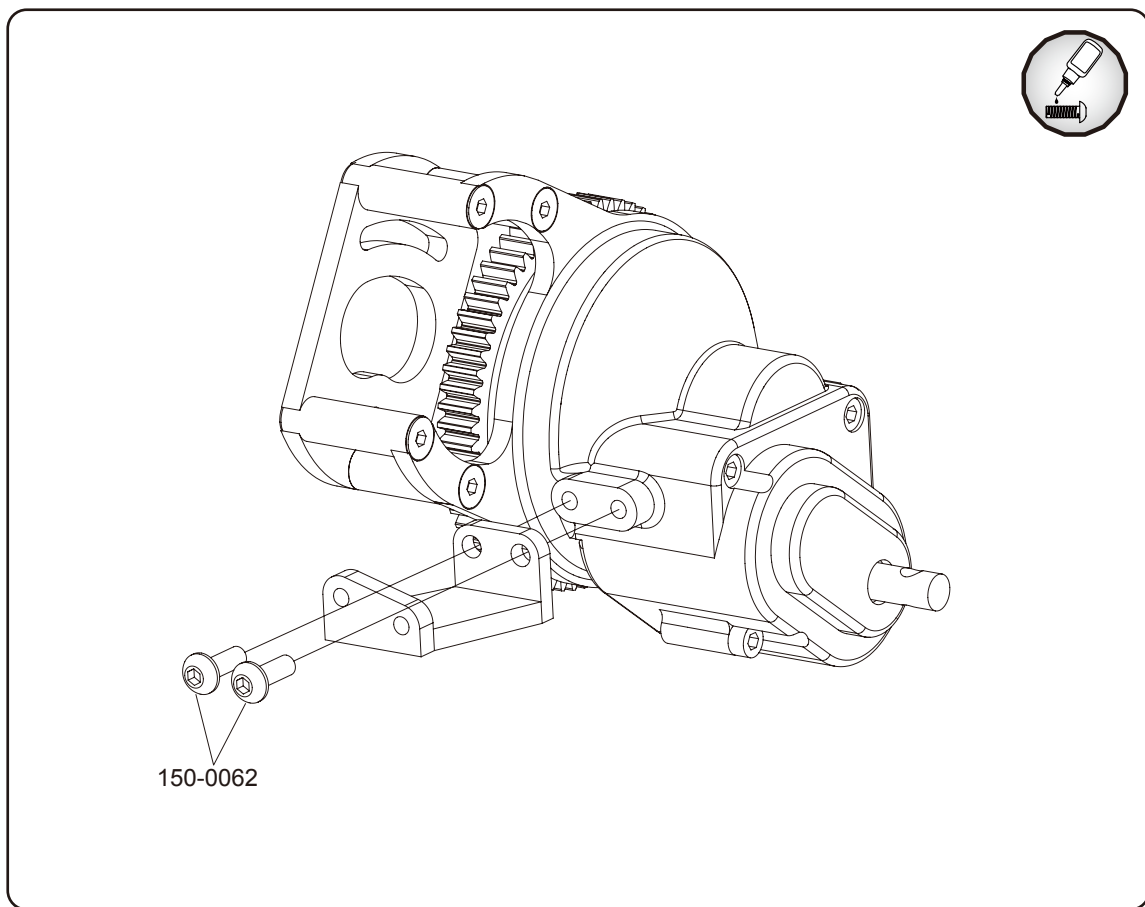
RC4WD Step 19

 X2
150-0100
M3 x 8mm FHCS




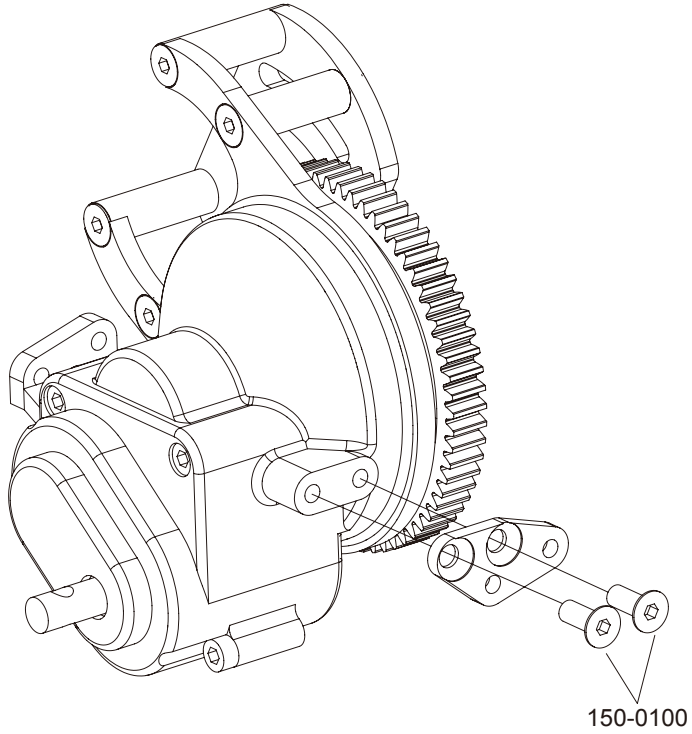
RC4WD Step 20

 X2
150-0062
M3 x 8mm BHCS




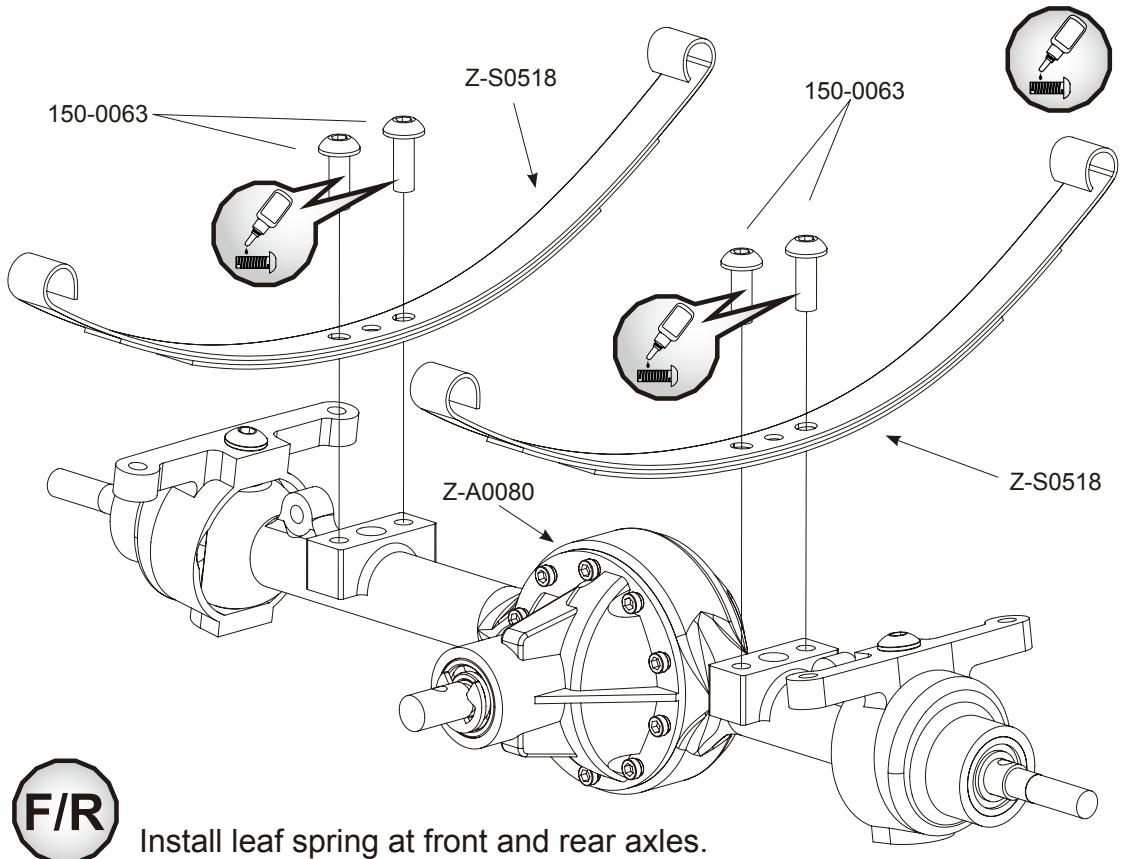
RC4WD Step 21

 X2
150-0100
M3 x 8mm FHCS

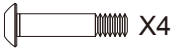


RC4WD Step 22

 X8
150-0063
M3 x 10mm BHCS



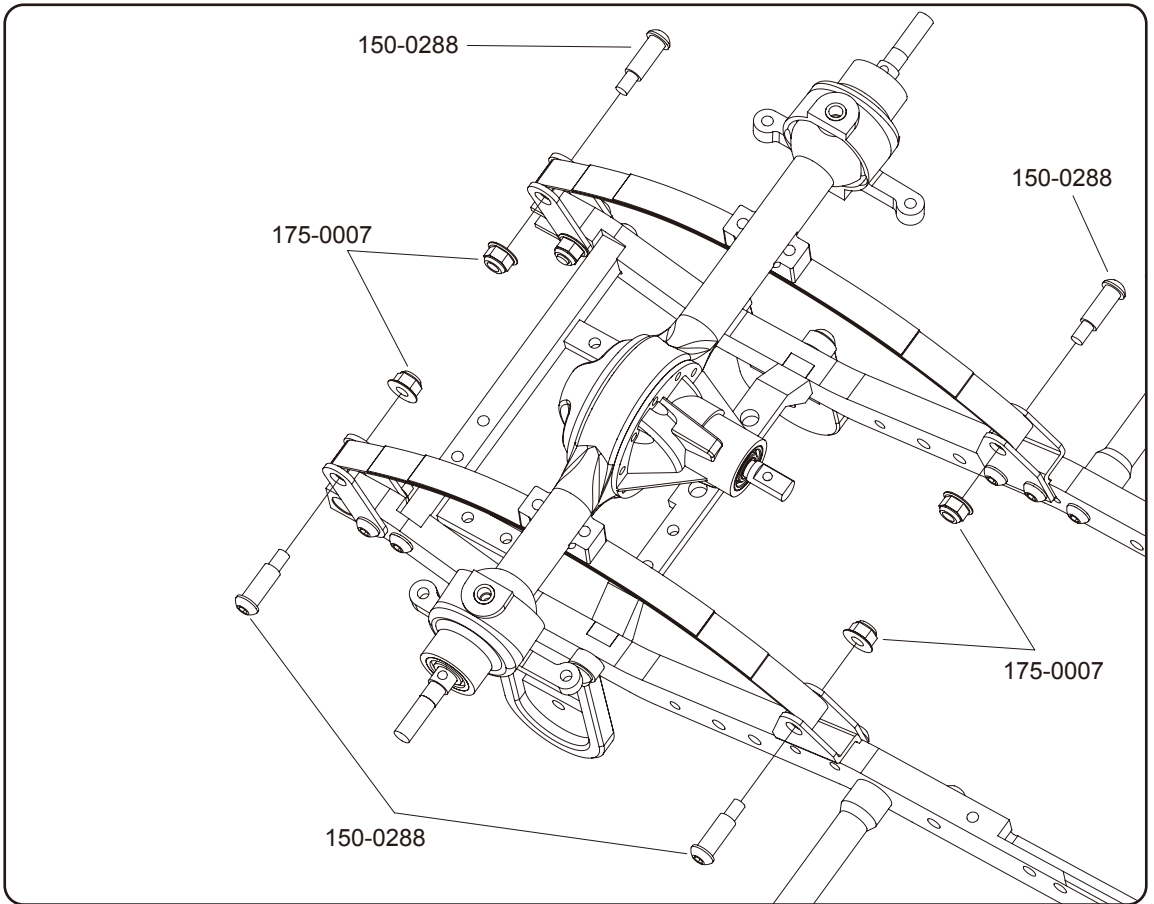
RC4WD
Step 23



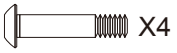
X4
150-0288
M3 x 15mm
Shoulder Screw



X4
175-0007
M3 Black Lock Nut



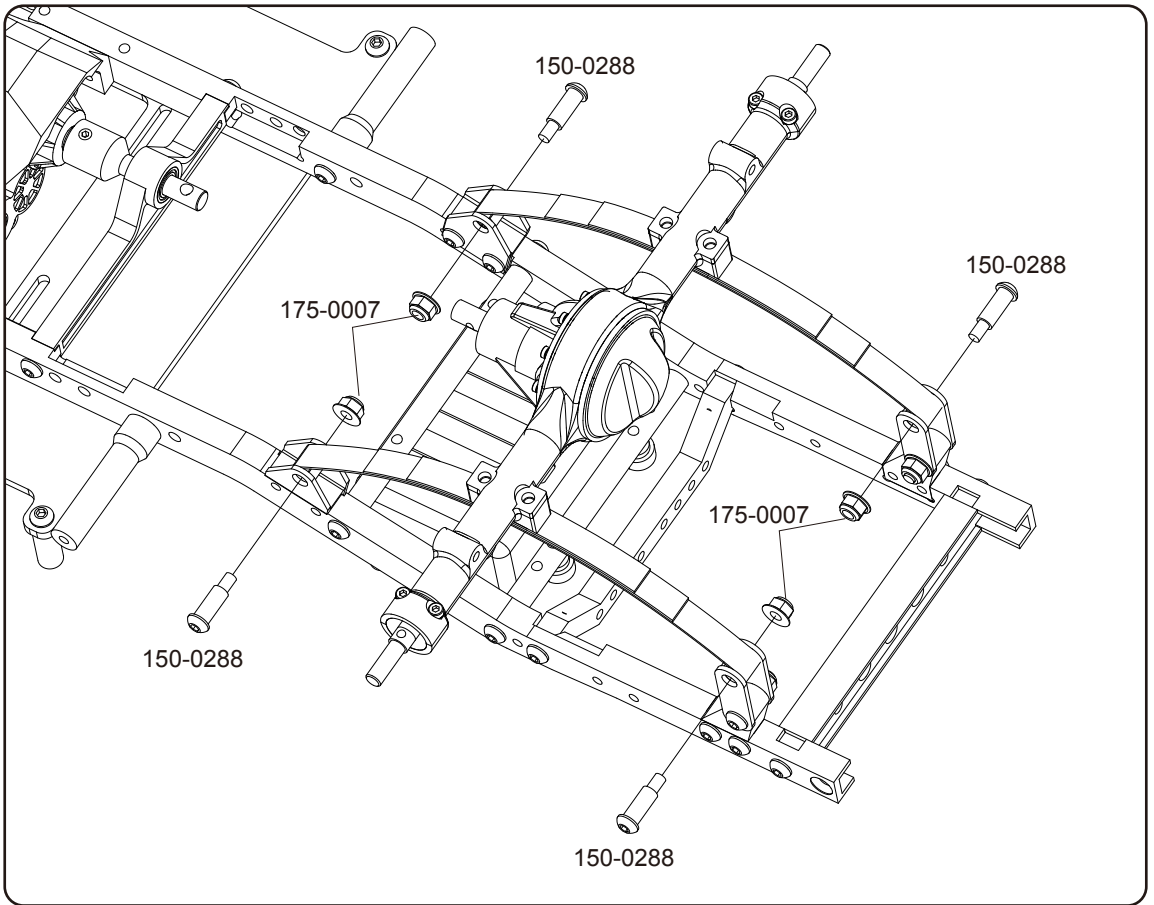
RC4WD
Step 24



X4
150-0288
M3 x 15mm
Shoulder Screw




X4
175-0007
M3 Black Lock Nut



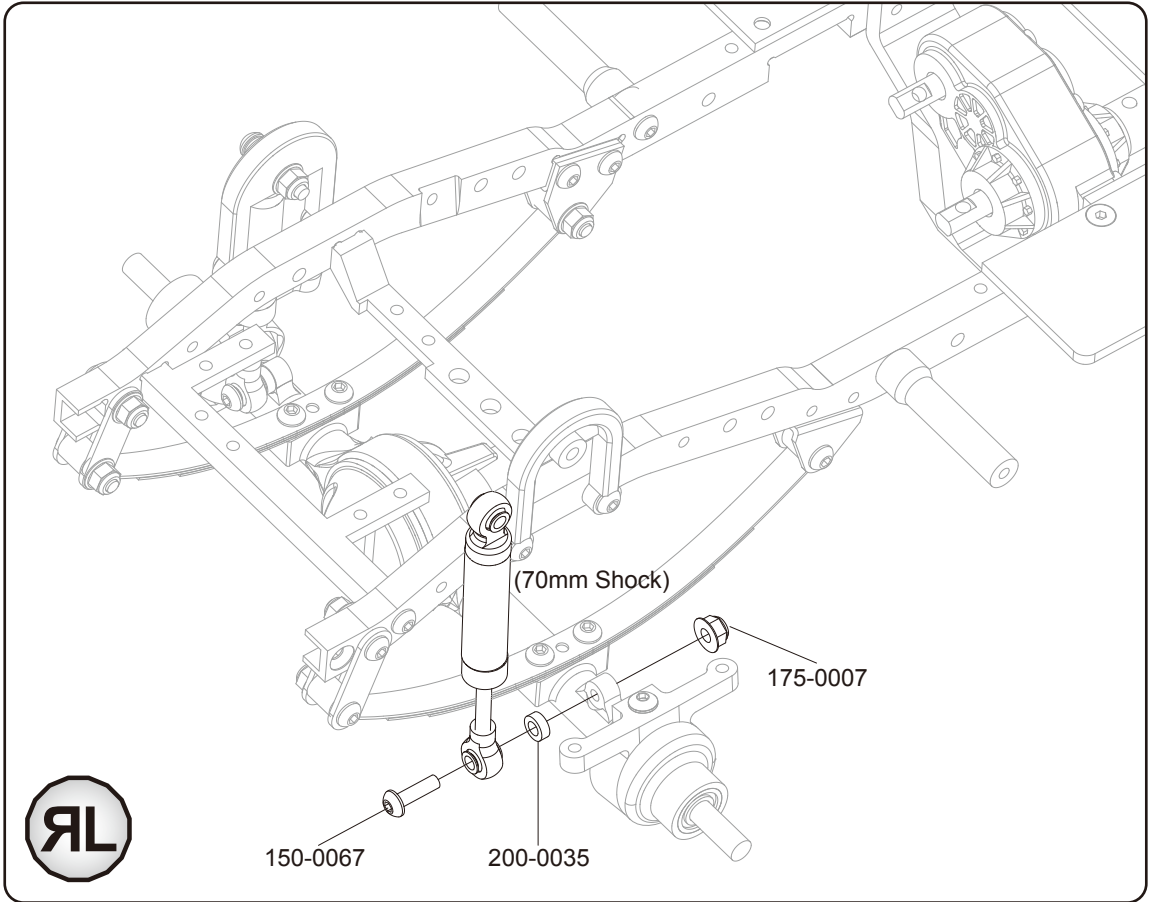
RC4WD

Step 25

 X2
150-0067
M3 x 18mm BHCS


 X2
175-0007
M3 Black Lock Nut

 X2
200-0035
M3 X 2mm Spacer



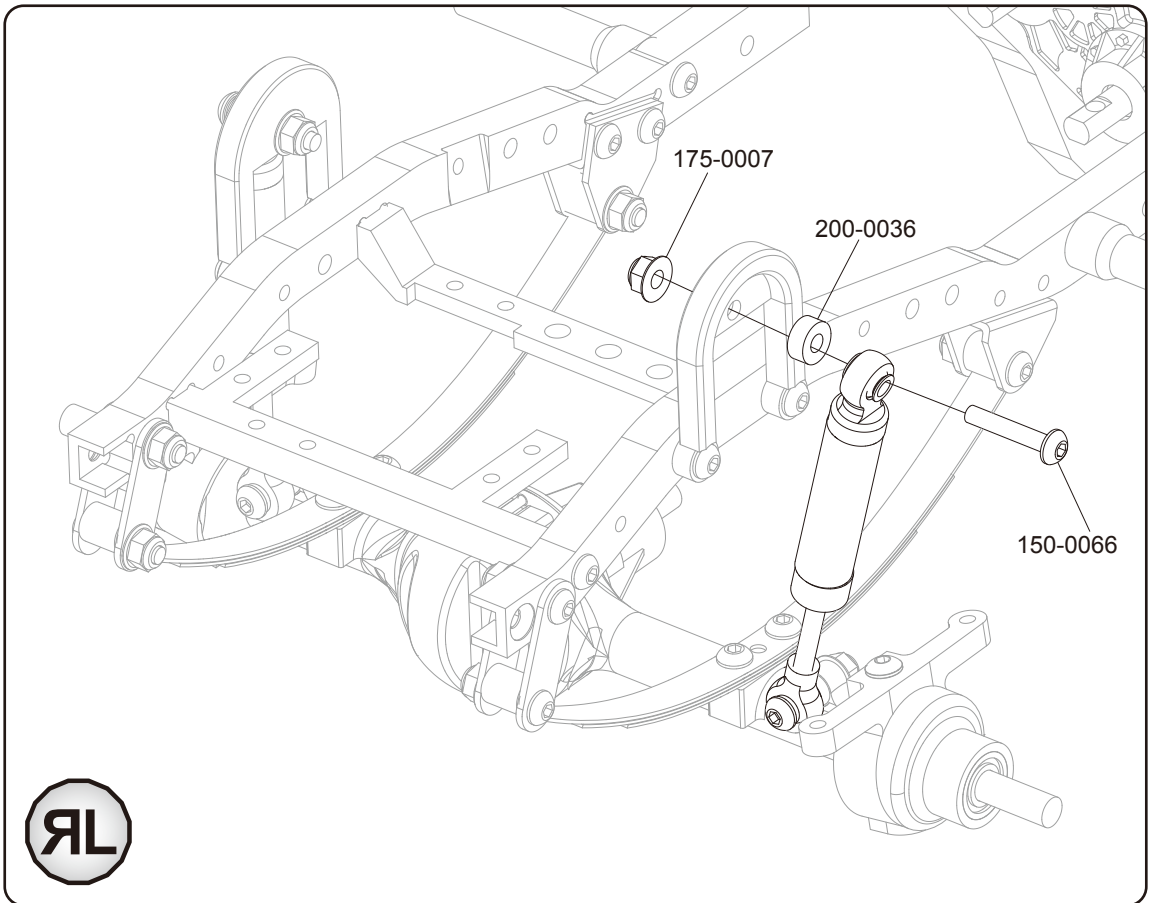
RC4WD

Step 26

 X2
150-0066
M3 x 16mm BHCS


 X2
175-0007
M3 Black Lock Nut


 X2
200-0036
M3 X 3mm Spacer



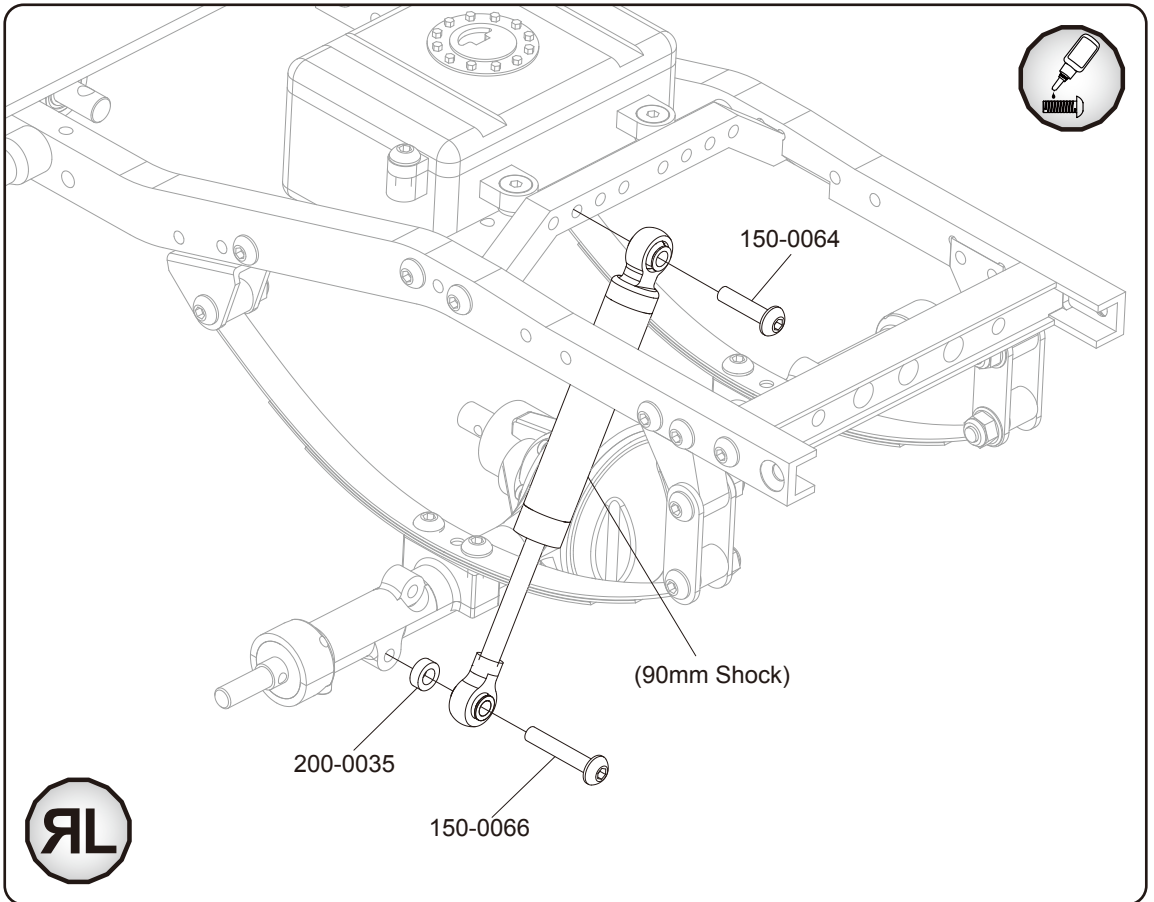
RC4WD

Step 27

 X2
 150-0064
 M3 x 12mm BHCS

 X2
 150-0066
 M3 x 16mm BHCS

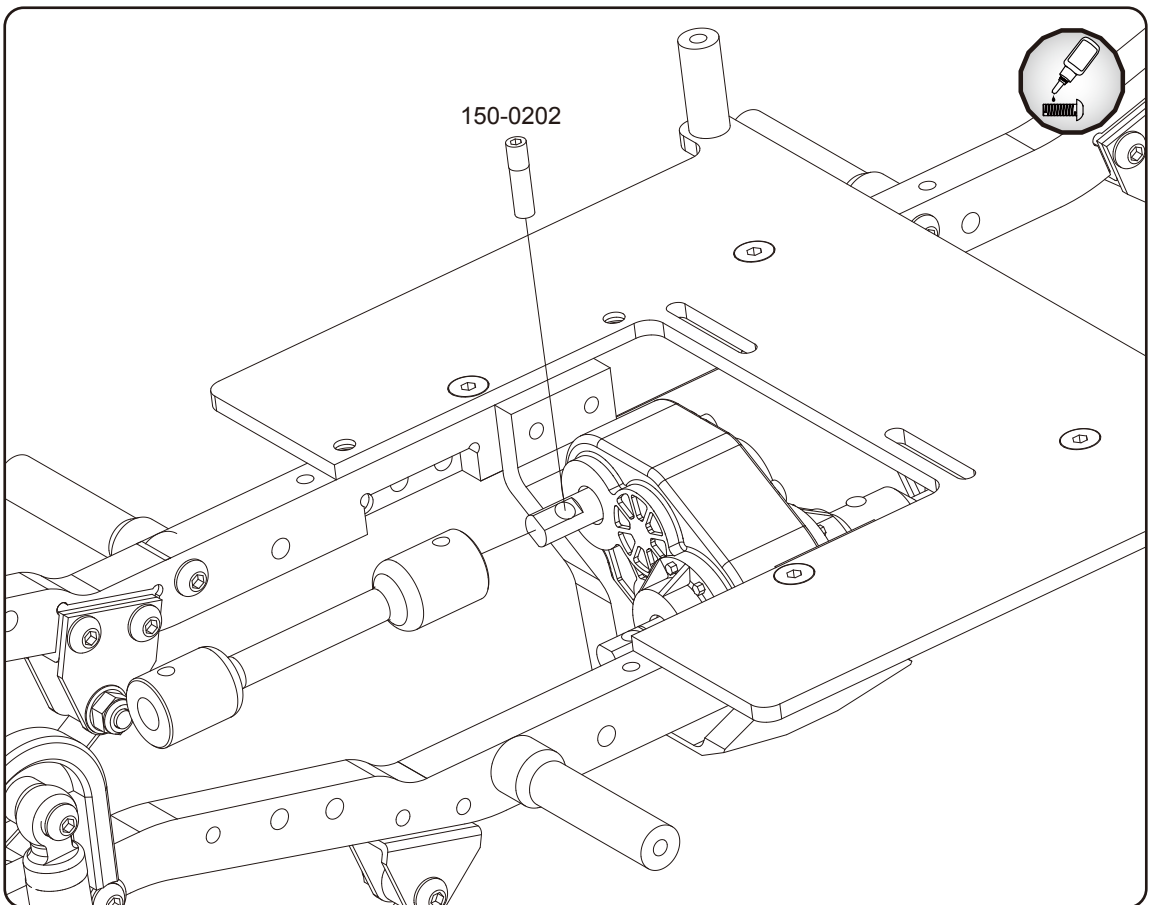
 X2
 200-0035
 M3 X 2mm Spacer



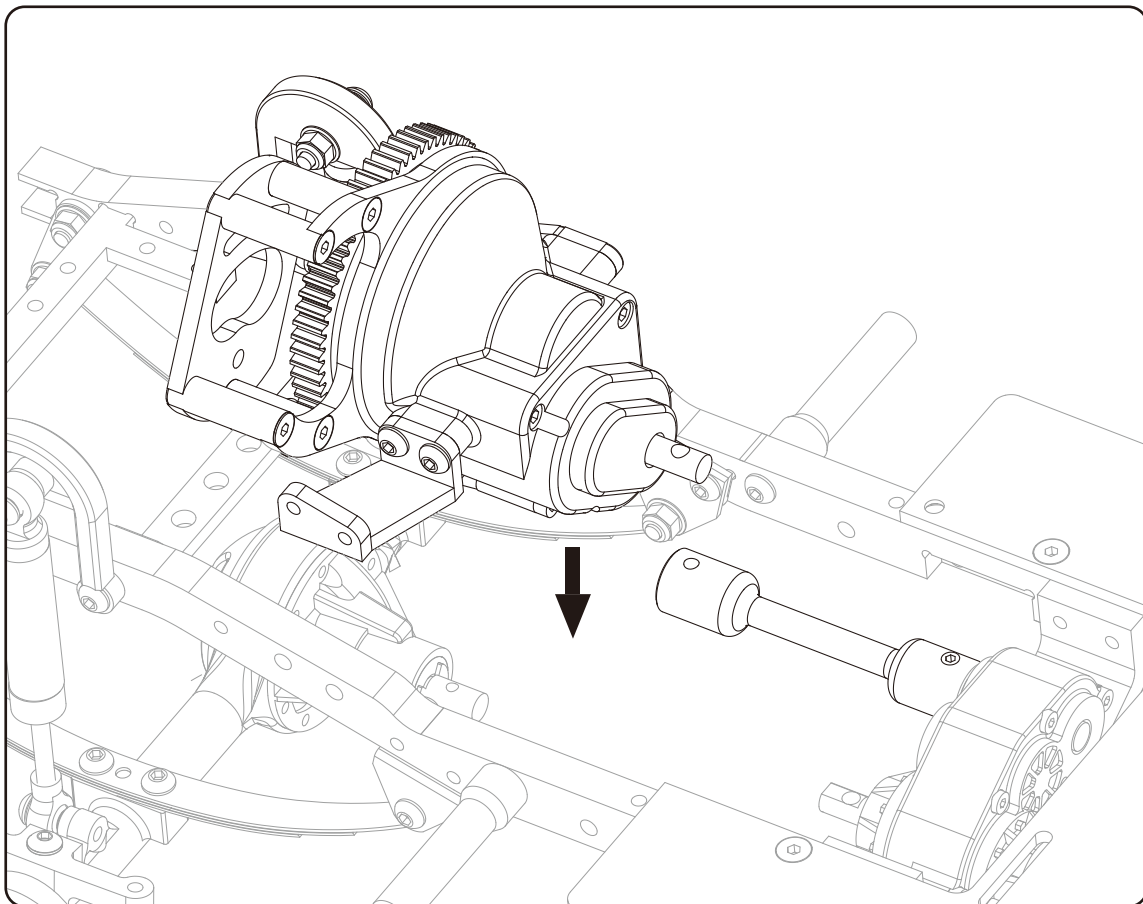
RC4WD

Step 28


 X1
 150-0202
 M3 Drive Shaft Pin

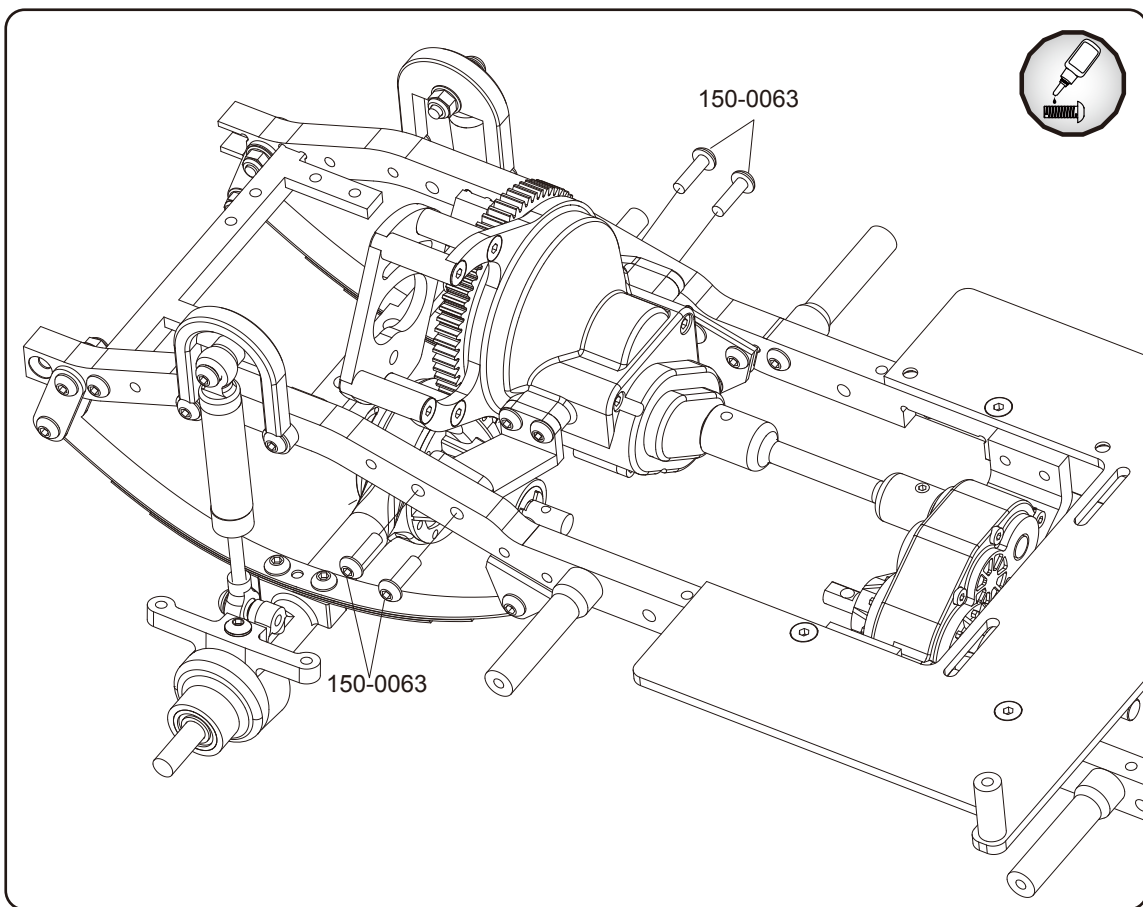


RC4WD
Step 29




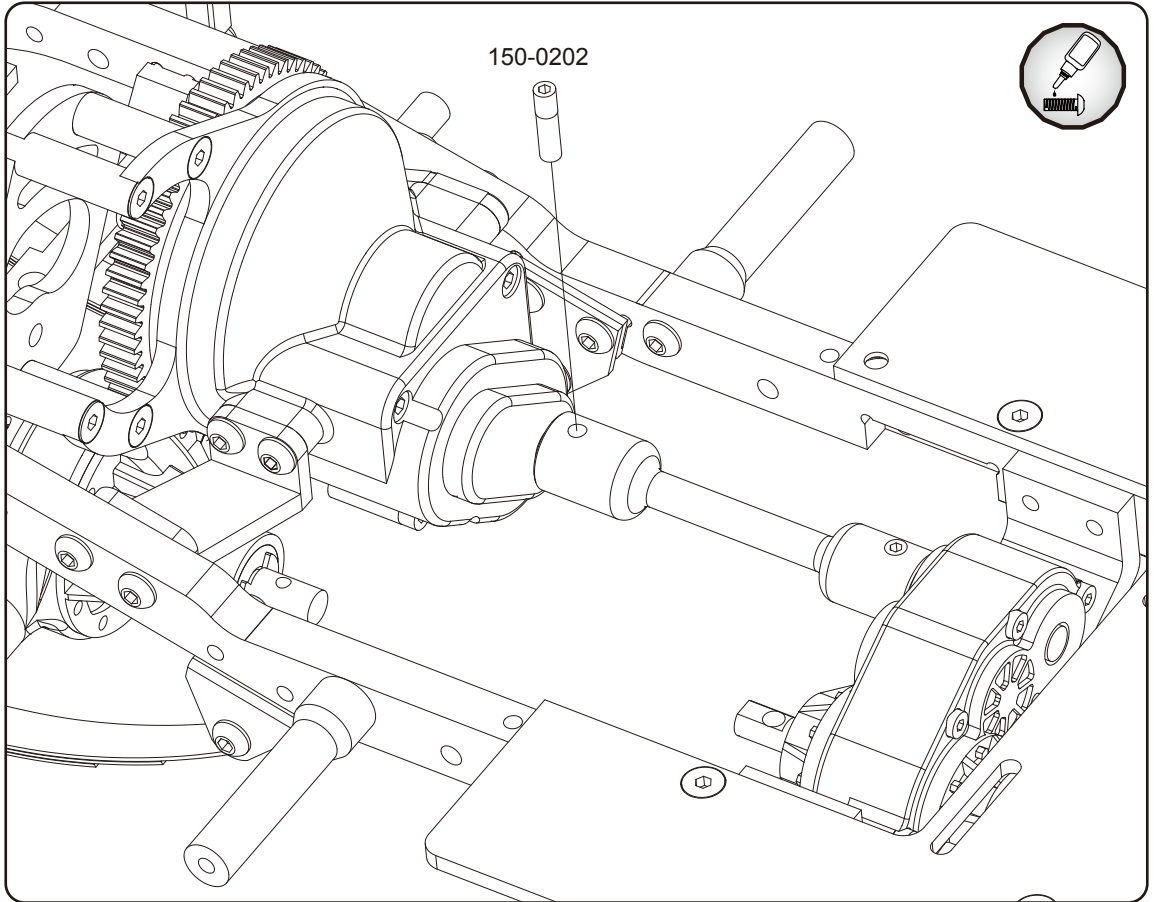
RC4WD
Step 30

 X4
150-0063
M3 x 10mm BHCS

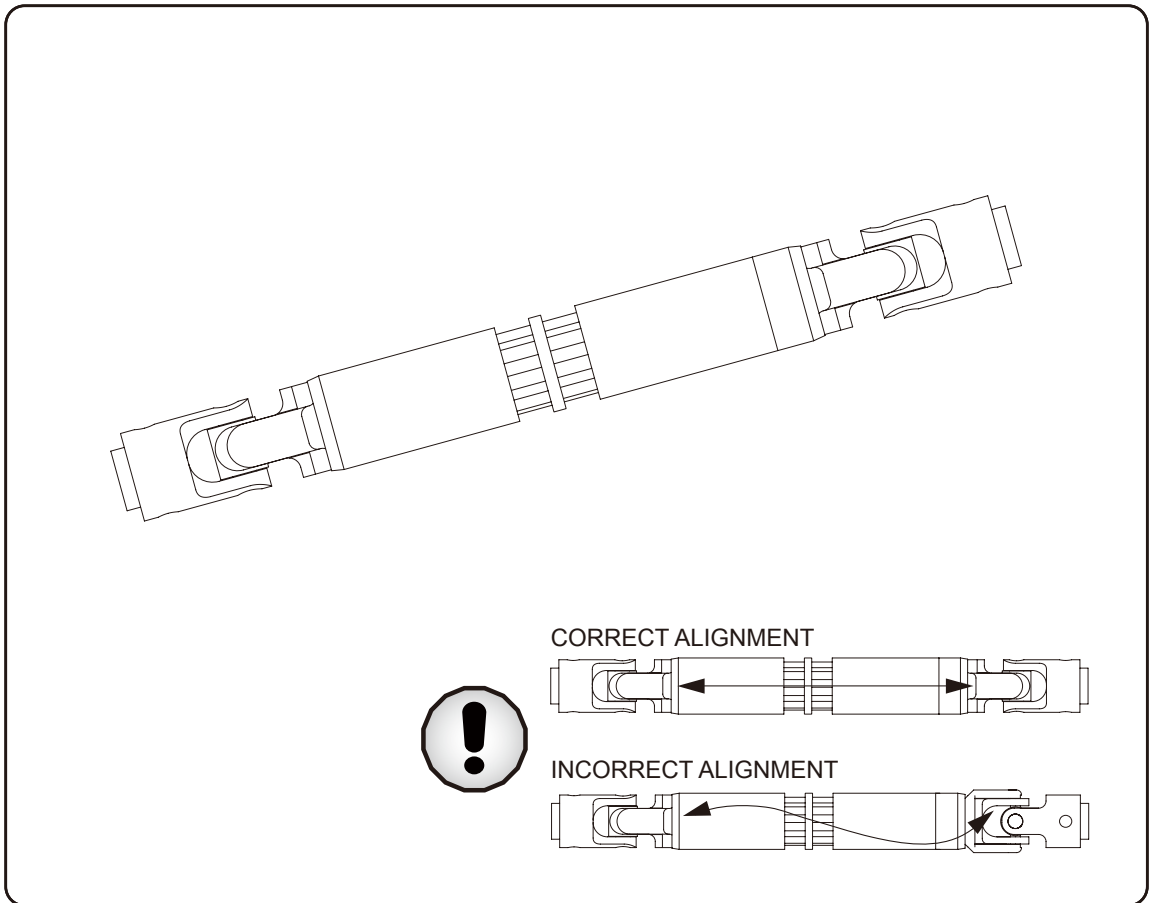


RC4WD Step 31


 X1
150-0202
M3 Drive Shaft Pin

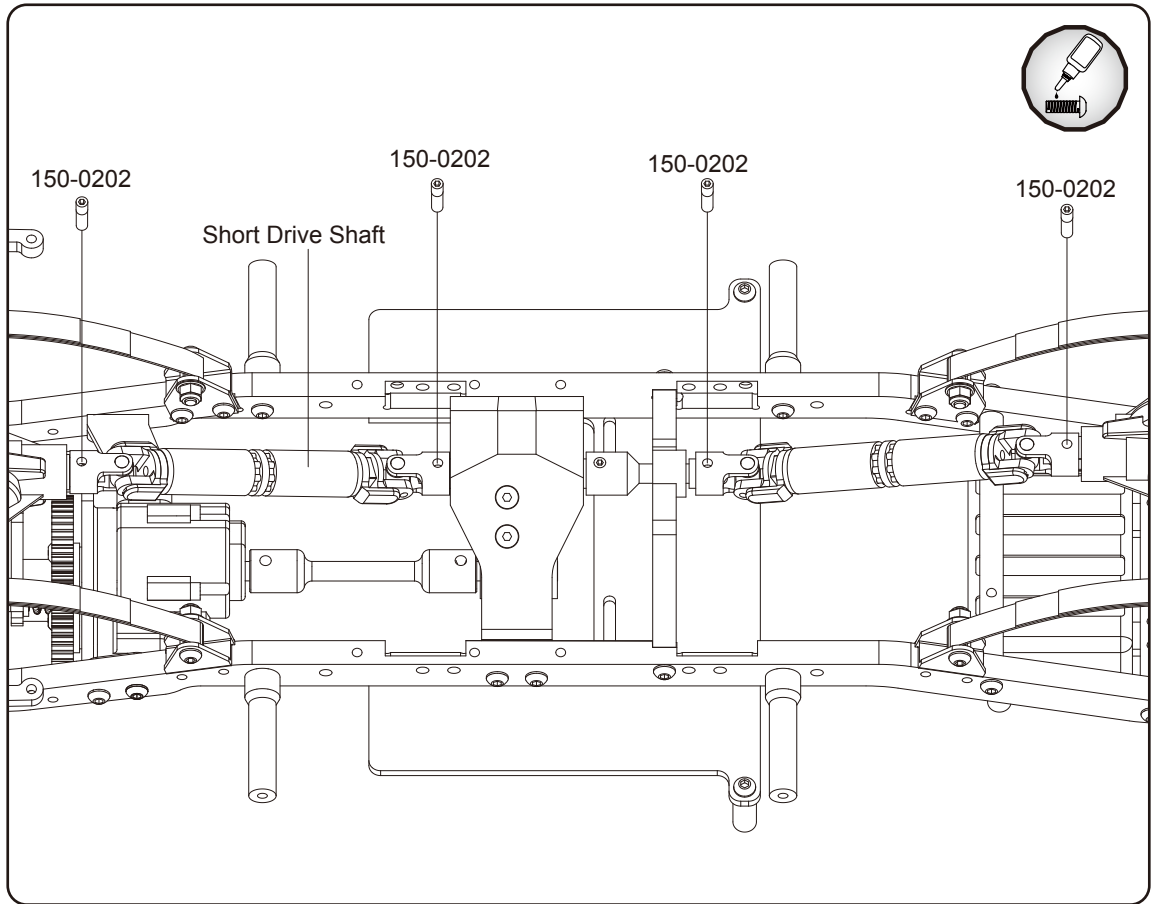


RC4WD Step 32



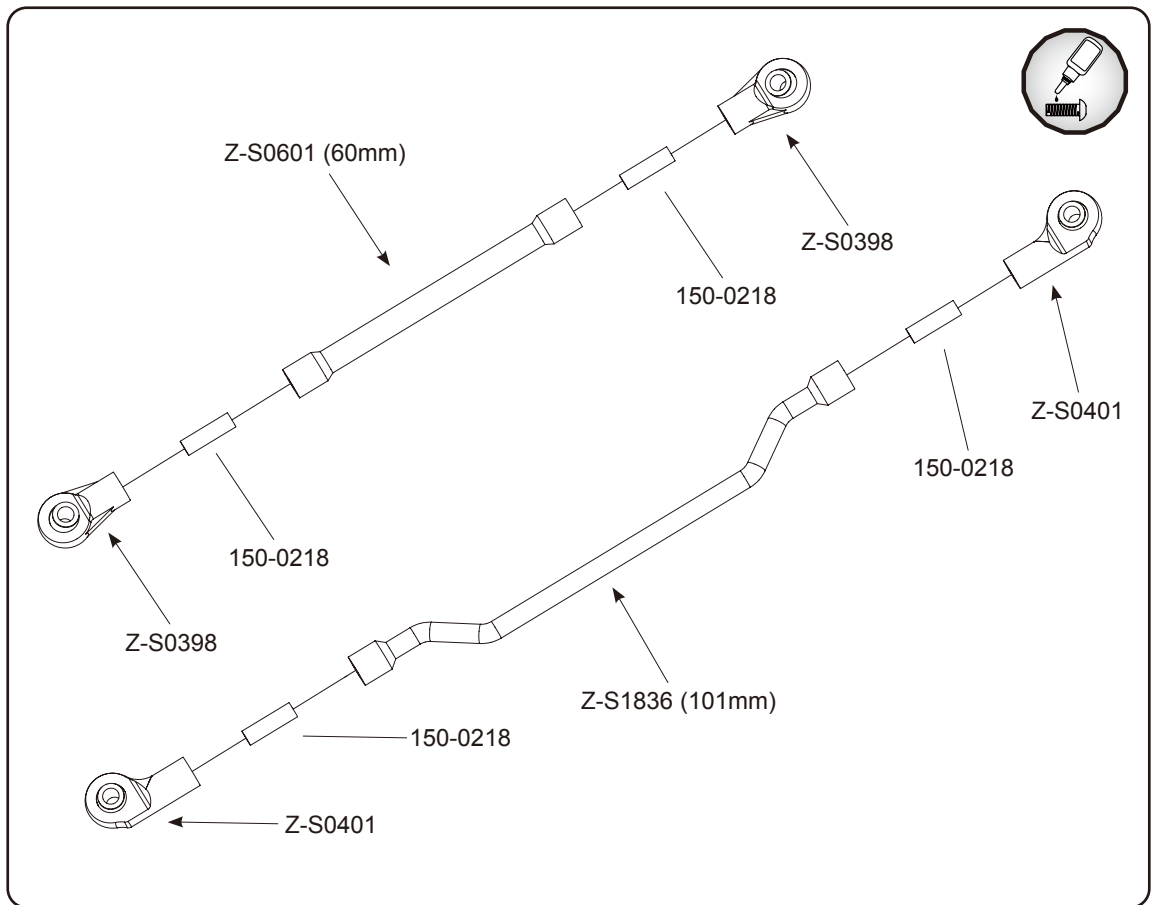
RC4WD
Step 33

 X4
150-0202
M3 Drive Shaft Pin




RC4WD
Step 34

 X4
150-0218
M3 x 10mm
Set Screw

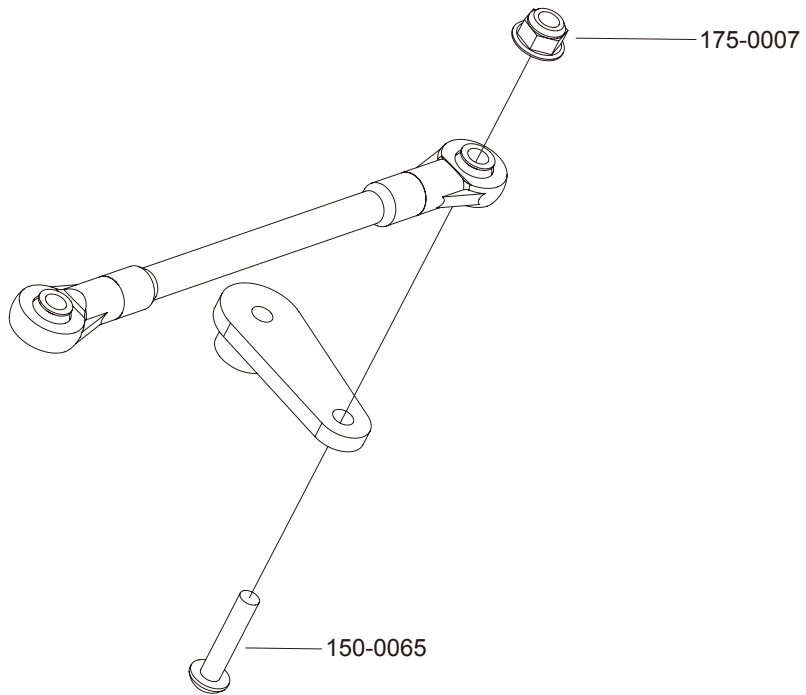


RC4WD
Step 35

 X1
150-0065
M3 x 14mm BHCS

 X1
175-0007
M3 Black Lock Nut

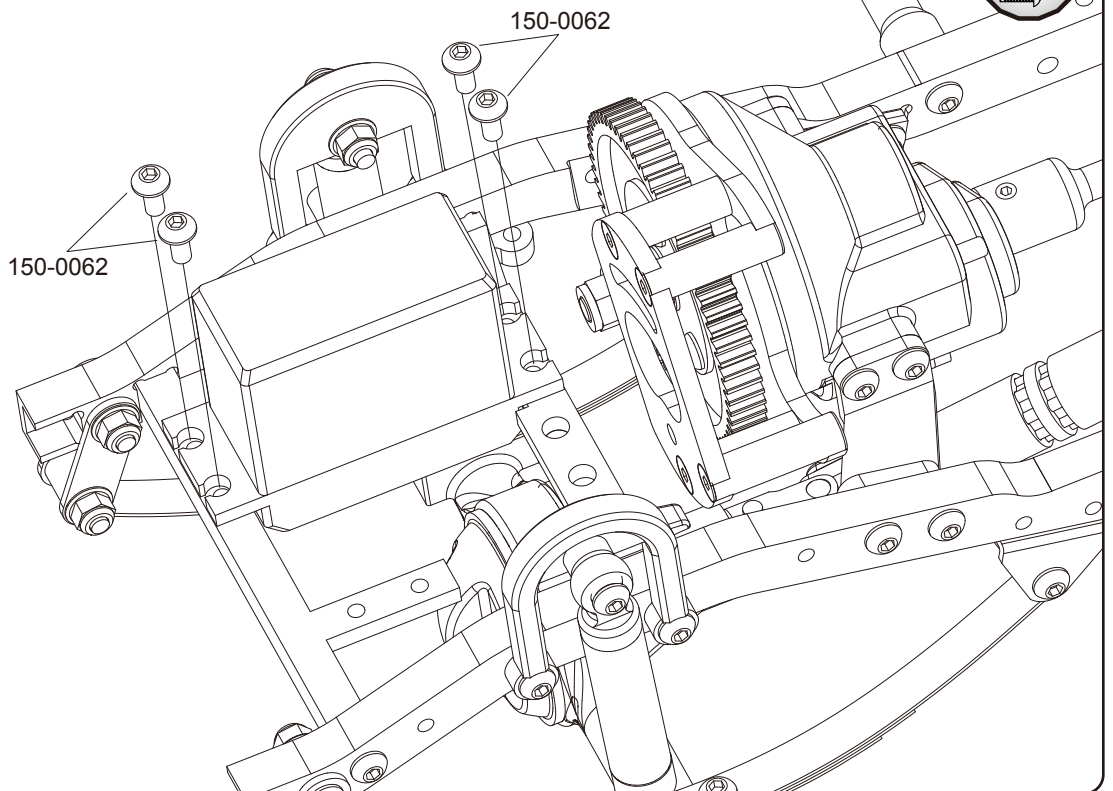
*servo arm not included.




RC4WD
Step 36


 X4
150-0062
M3 x 8mm BHCS

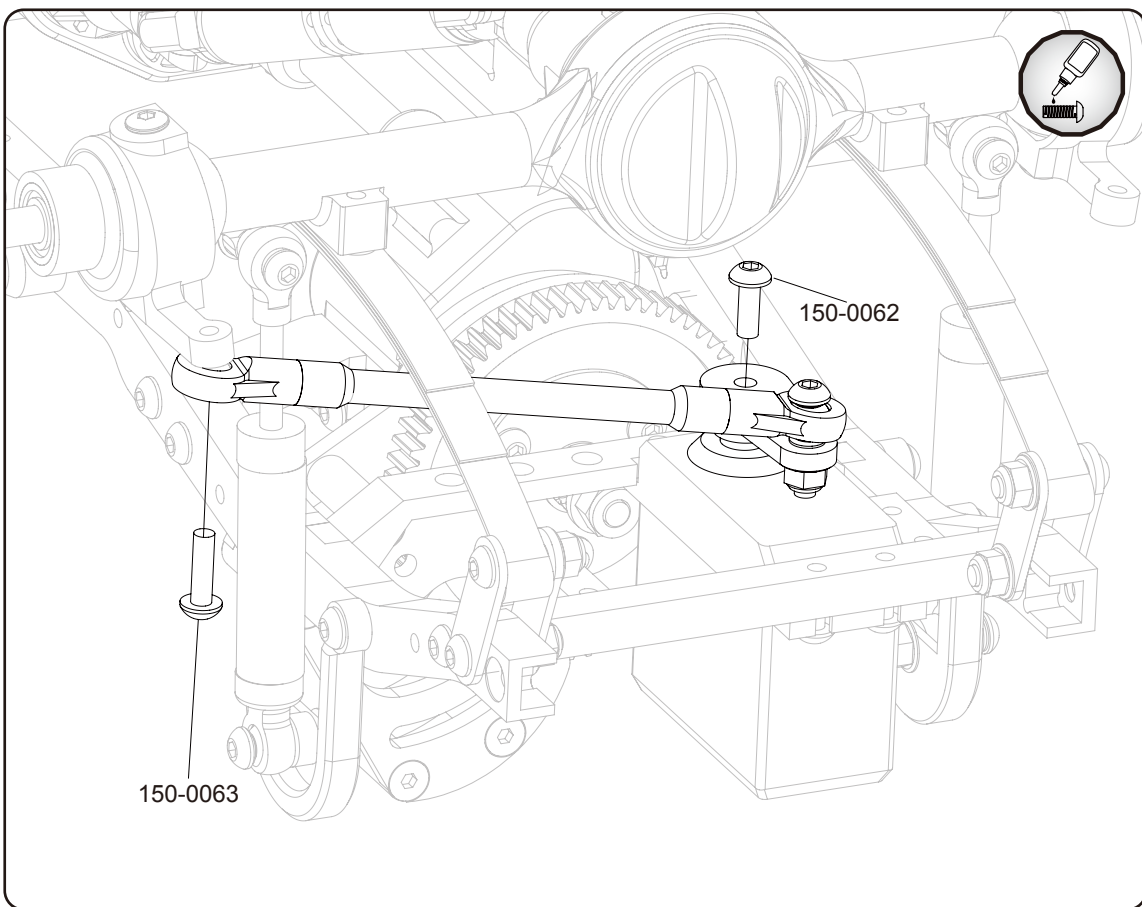
*Servo not included.




RC4WD Step 37

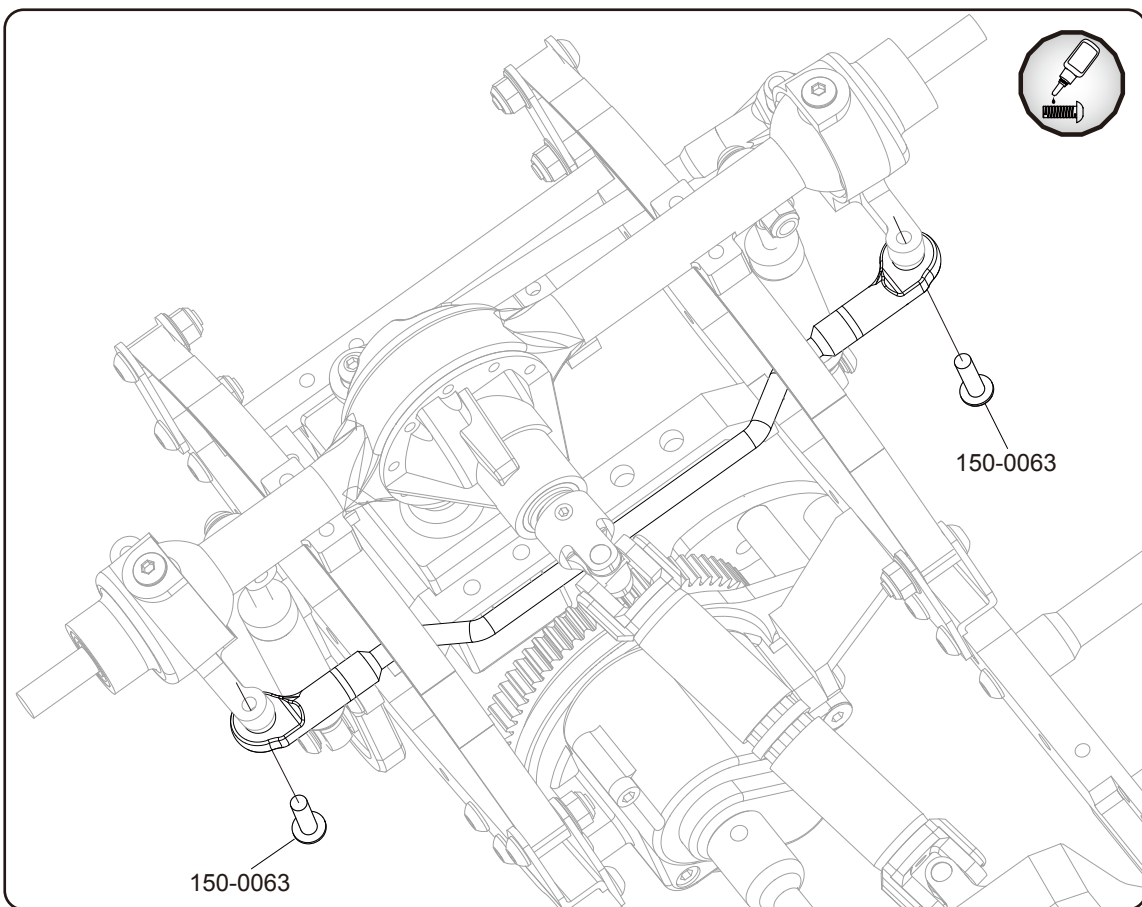
 X1
150-0062
M3 x 8mm BHCS

 X1
150-0063
M3 x 10mm BHCS



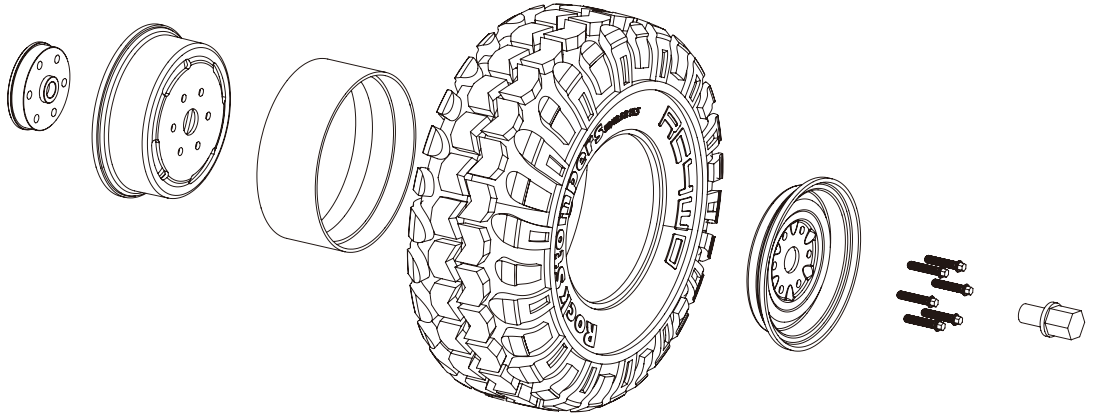
RC4WD Step 38

 X2
150-0063
M3 x 10mm BHCS



RC4WD
Step 39

Wheel disassembly shown.



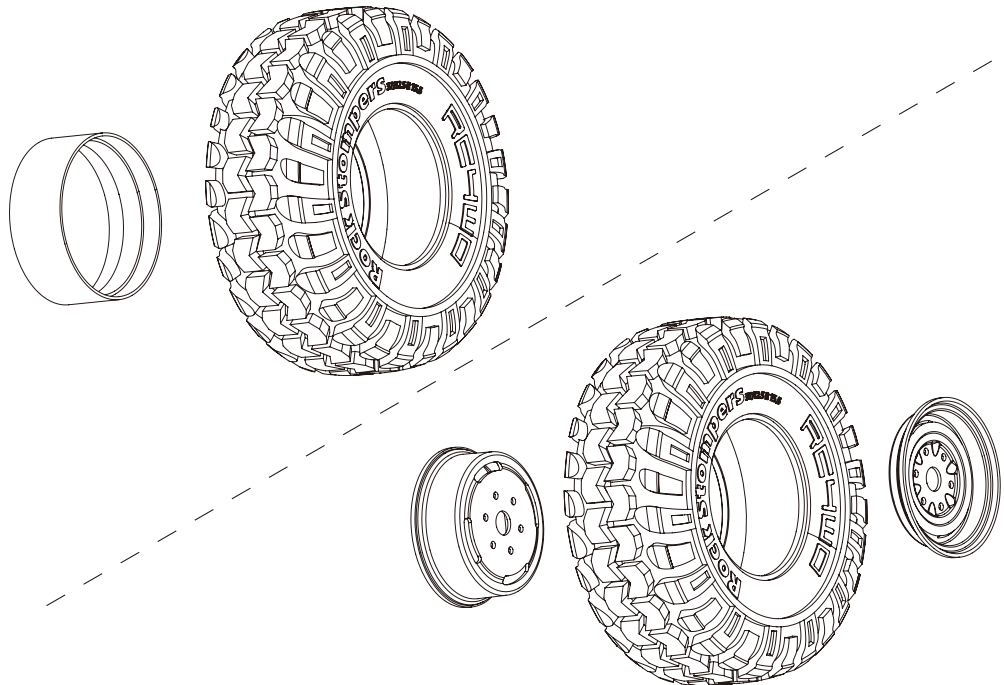
x4



Ensure the front and back wheel spokes align with each other.

RC4WD
Step 40

Insert internal beadlock ring into tire.




x4

Install wheel front and back. Careful of the wheels alignment to get the look.

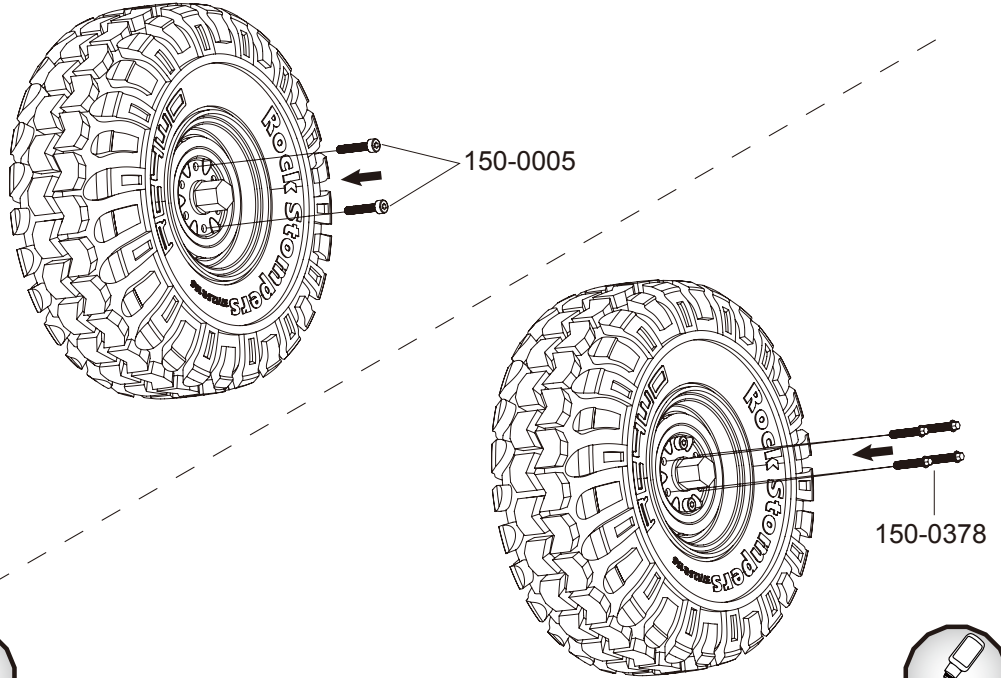


RC4WD Step 41

 X2
150-0005
M2 x 8mm SHCS

 X4
150-0378
M2 x 6mm Hex Bolts

Use the included longer hardware to help aid in tire and wheel installation. Be sure to slowly tighten the nuts on the longer hardware until you are able to begin installing the included shorter hardware.

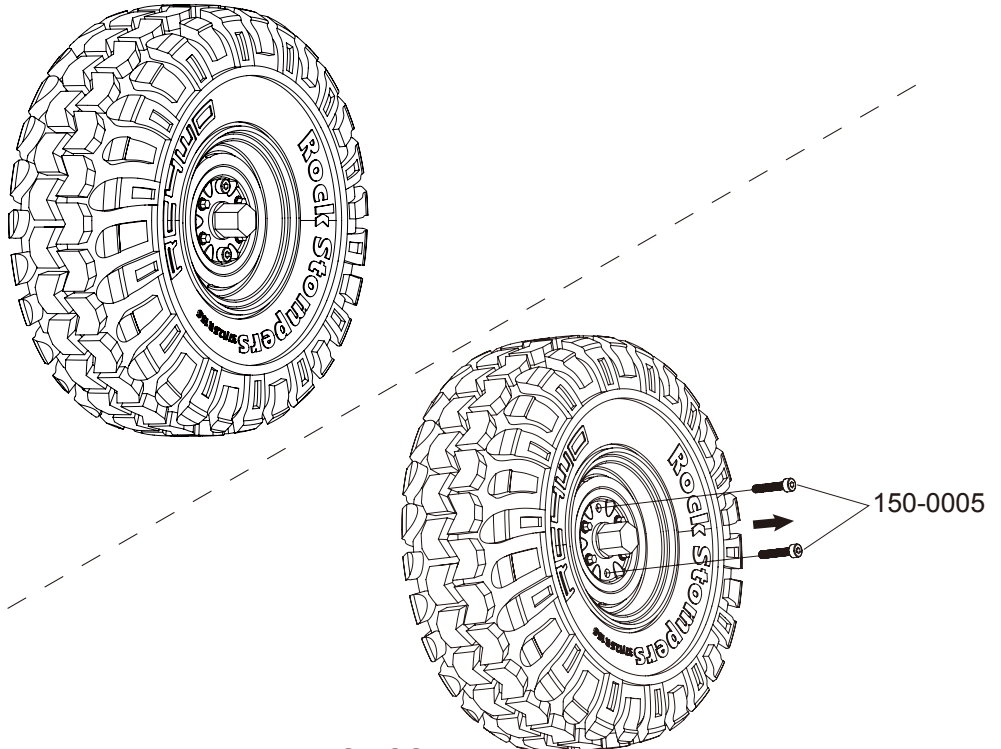


x4

Install 4 M2x6mm Hex Bolts.

RC4WD Step 42

Your wheel and tire should be fully seated like shown.




x4

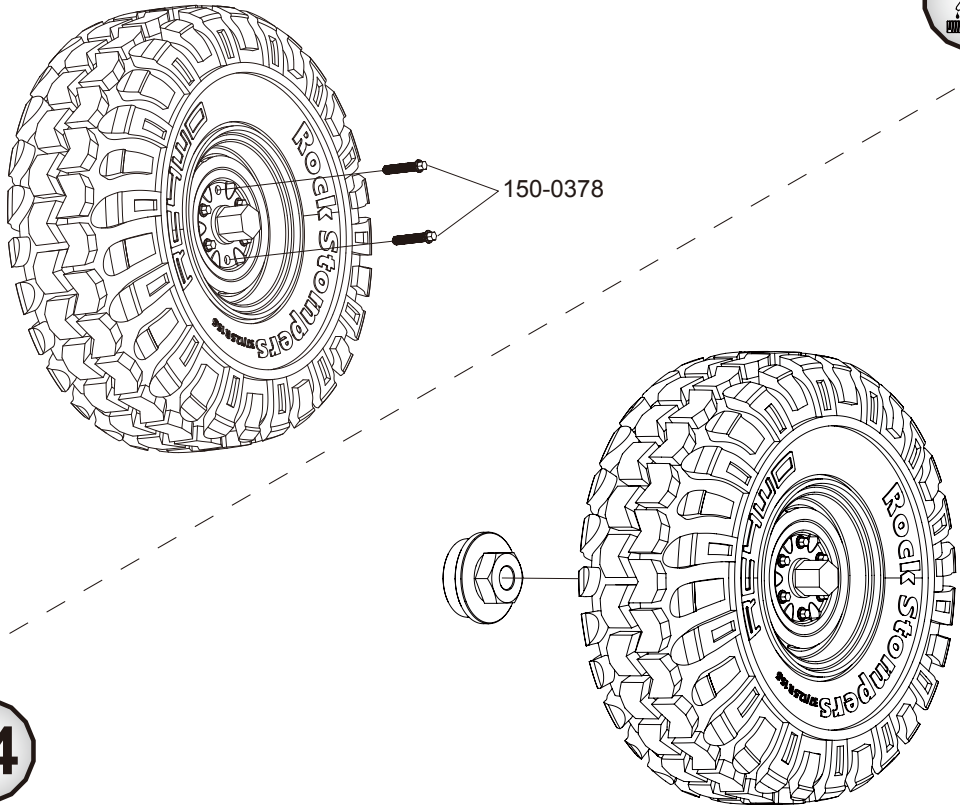
Remove M2x8mm SHCS.



RC4WD Step 43

 X2
150-0378
M2 x 6mm Hex Bolts

Install the M2x6mm Hex Bolts.

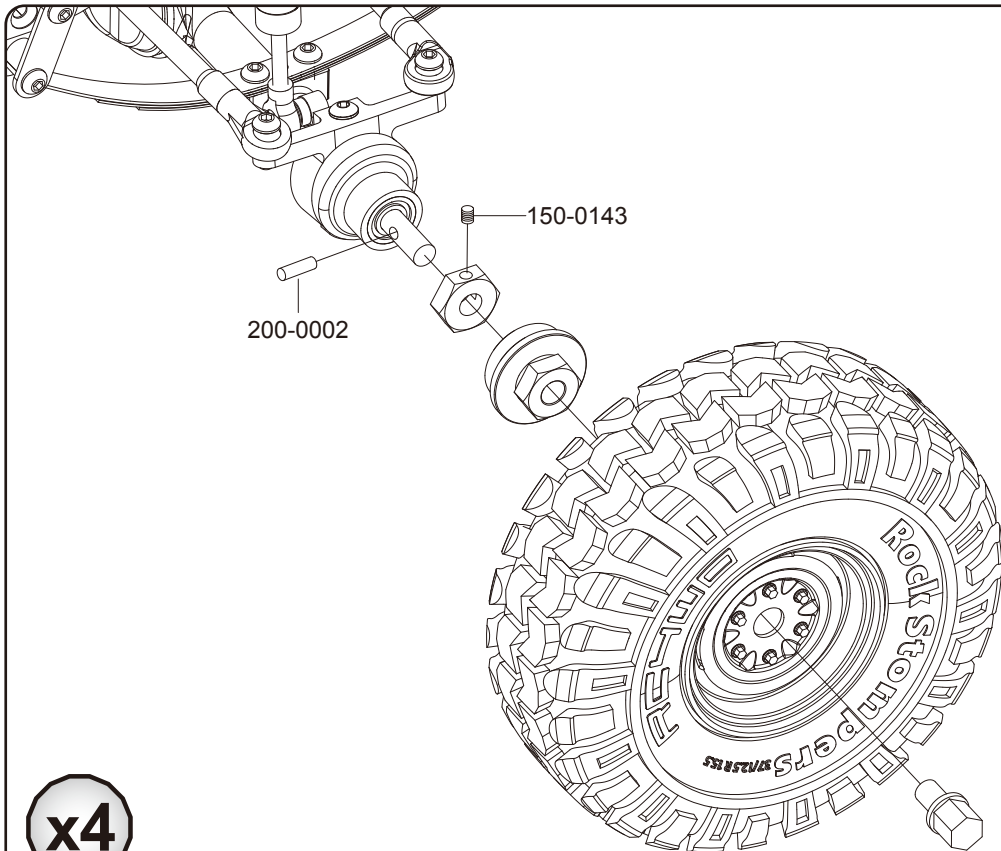


x4

RC4WD Step 44

 X4
200-0002
M2 X 10mm
Axle Pin

 X4
150-0143
M3 x 3mm
Set Screw




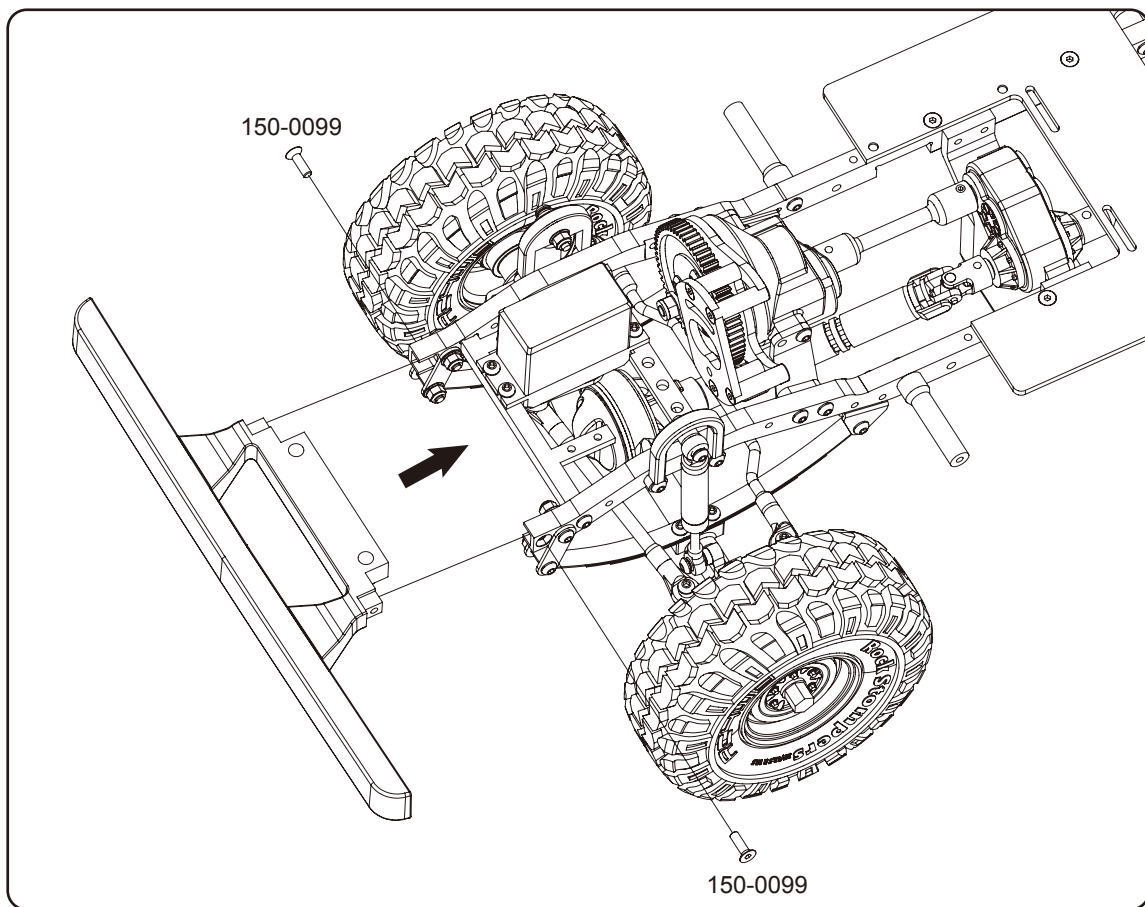
x4



RC4WD


Step 45

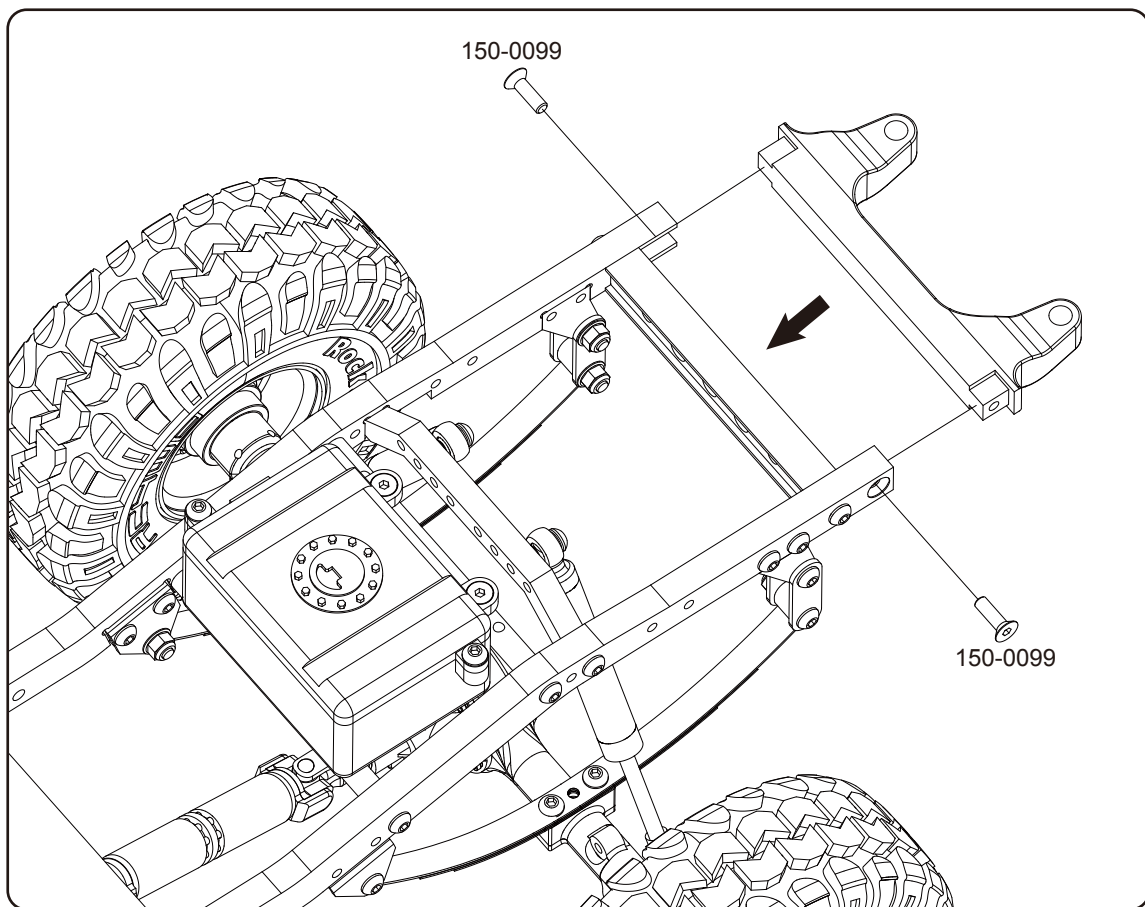
 X2
150-0099
M3 x 6mm FHCS




RC4WD

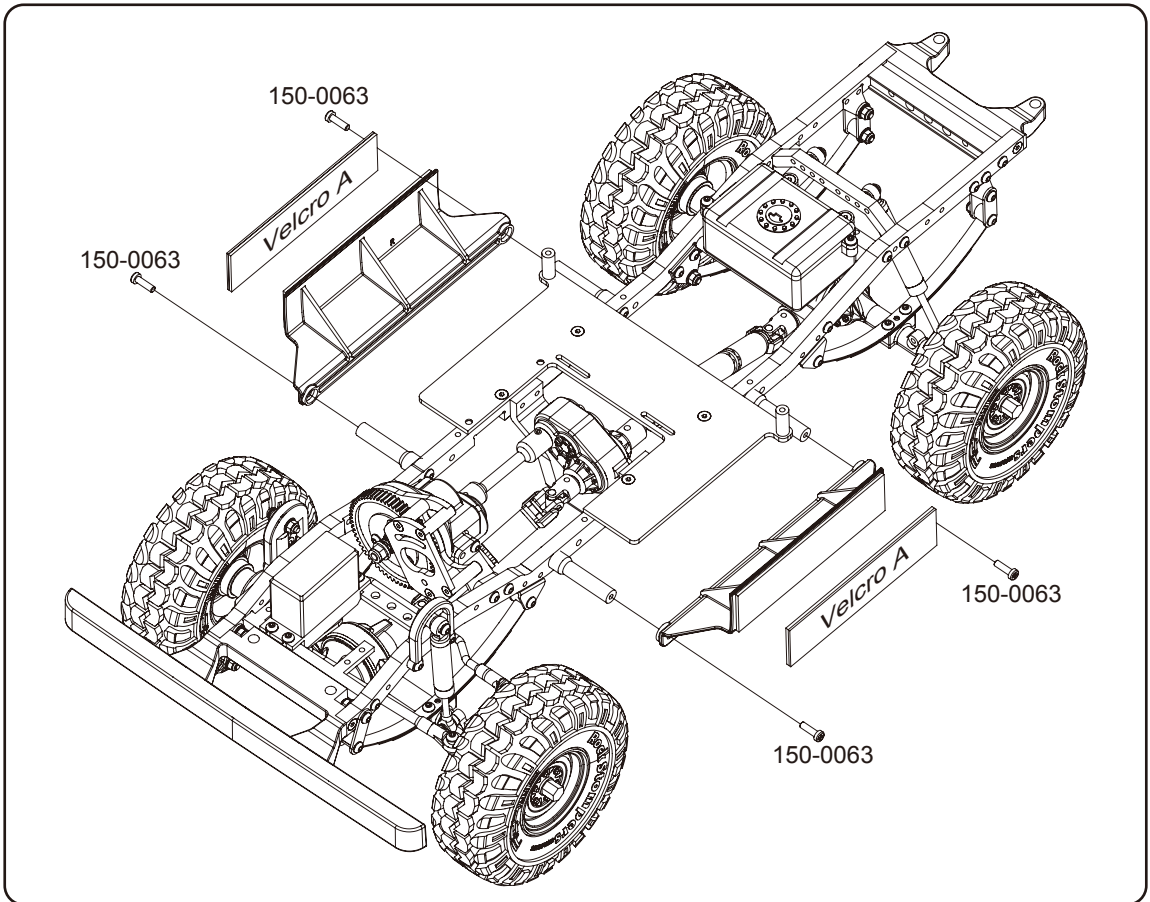
Step 46

 X2
150-0099
M3 x 6mm FHCS

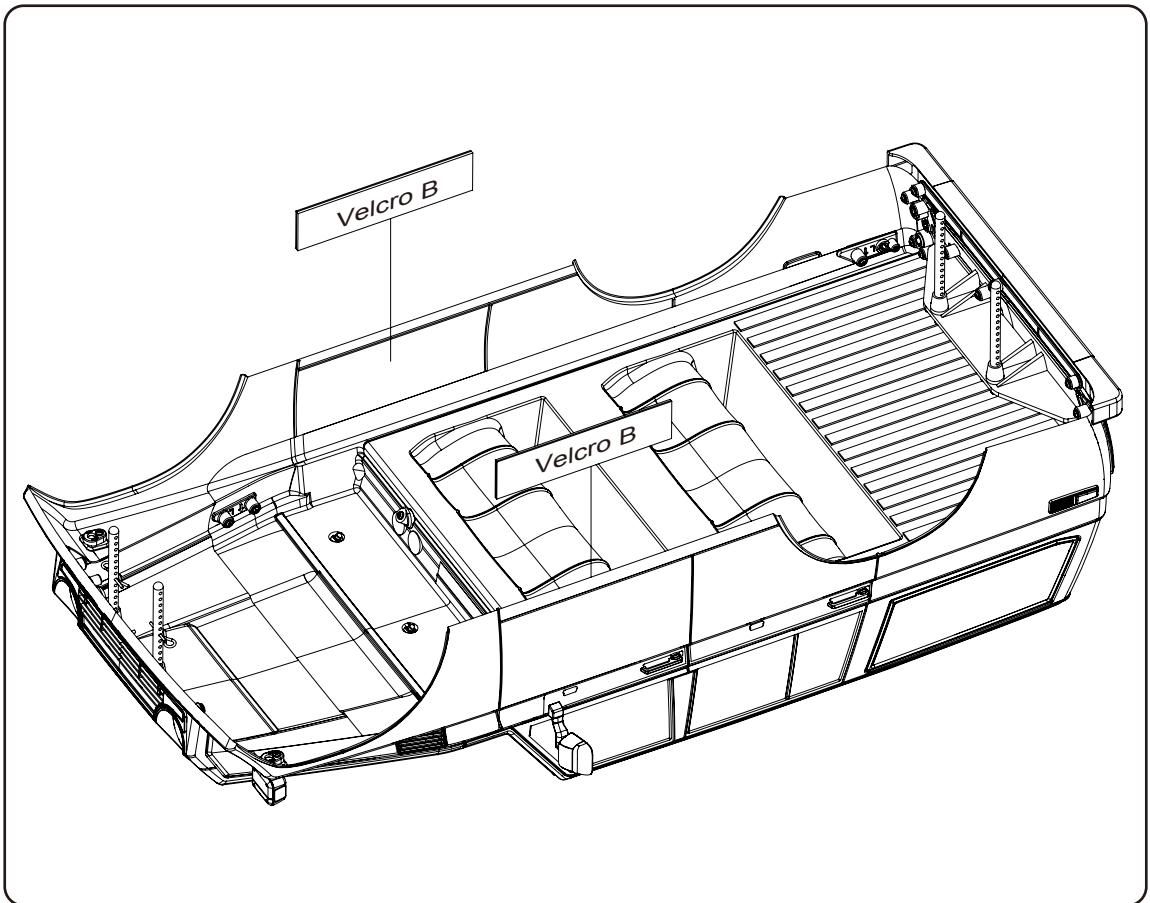


RC4WD Step 47

 X4
150-0063
M3 x 10mm BHCS

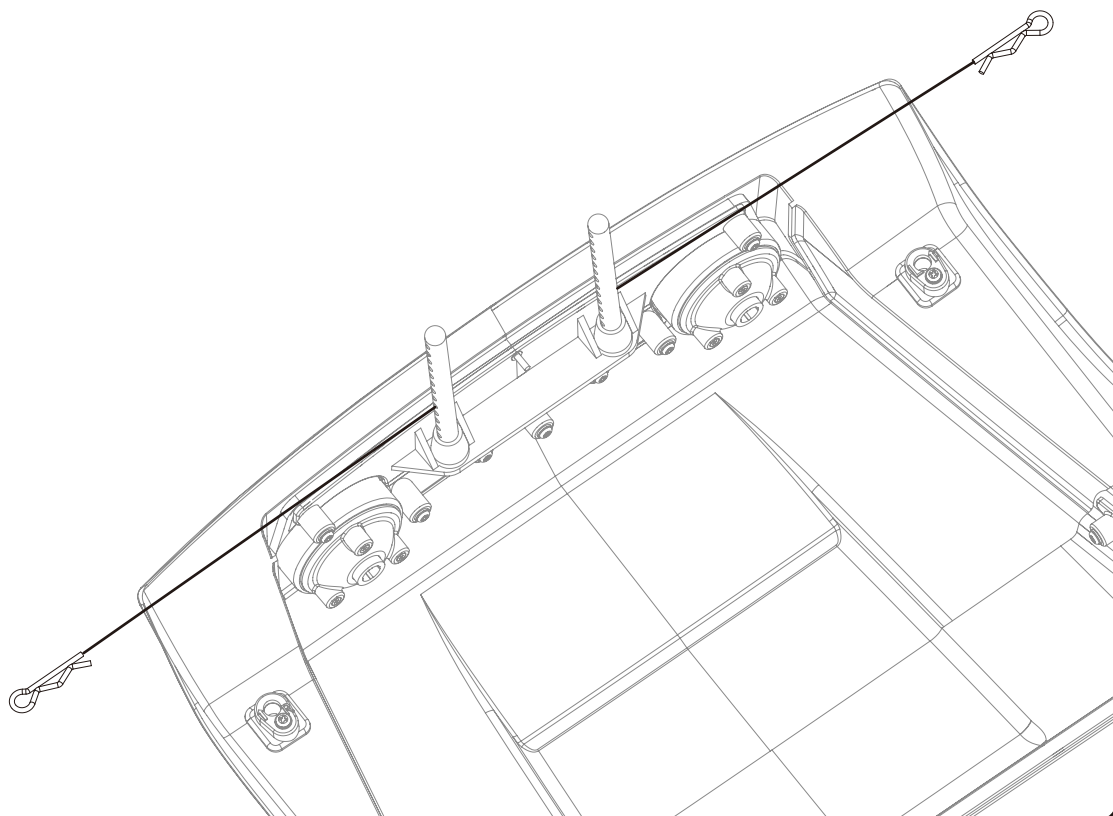


RC4WD Step 48

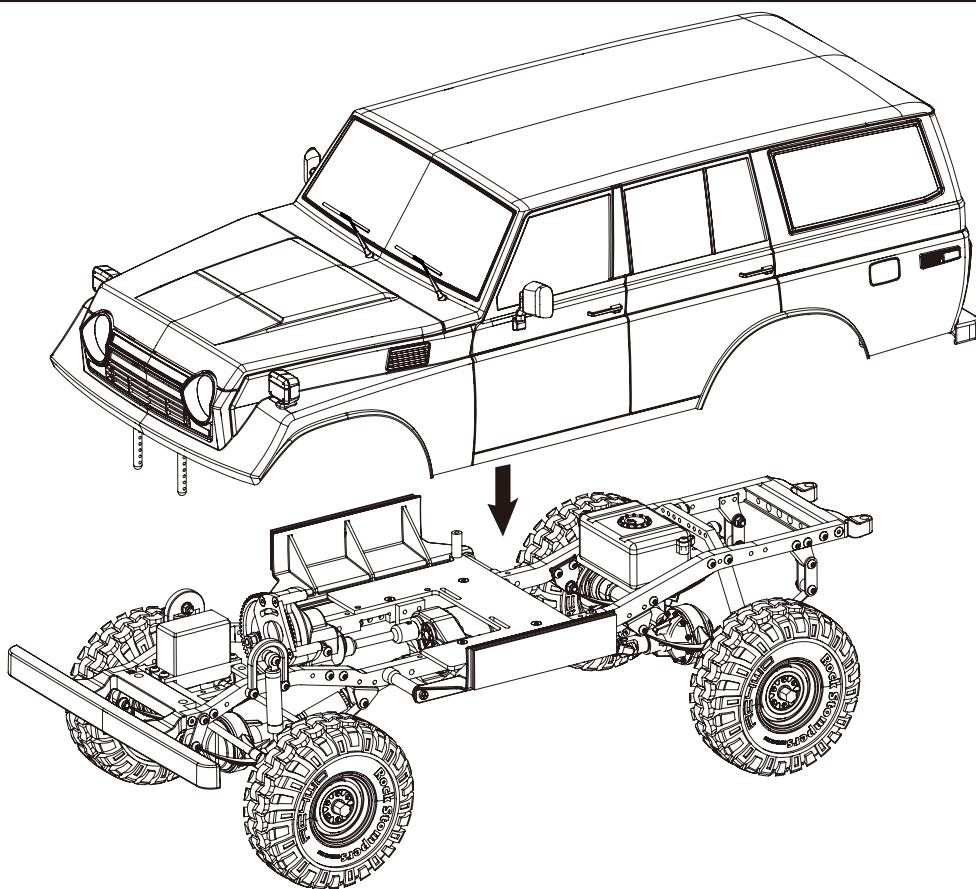


RC4WD
Step 49

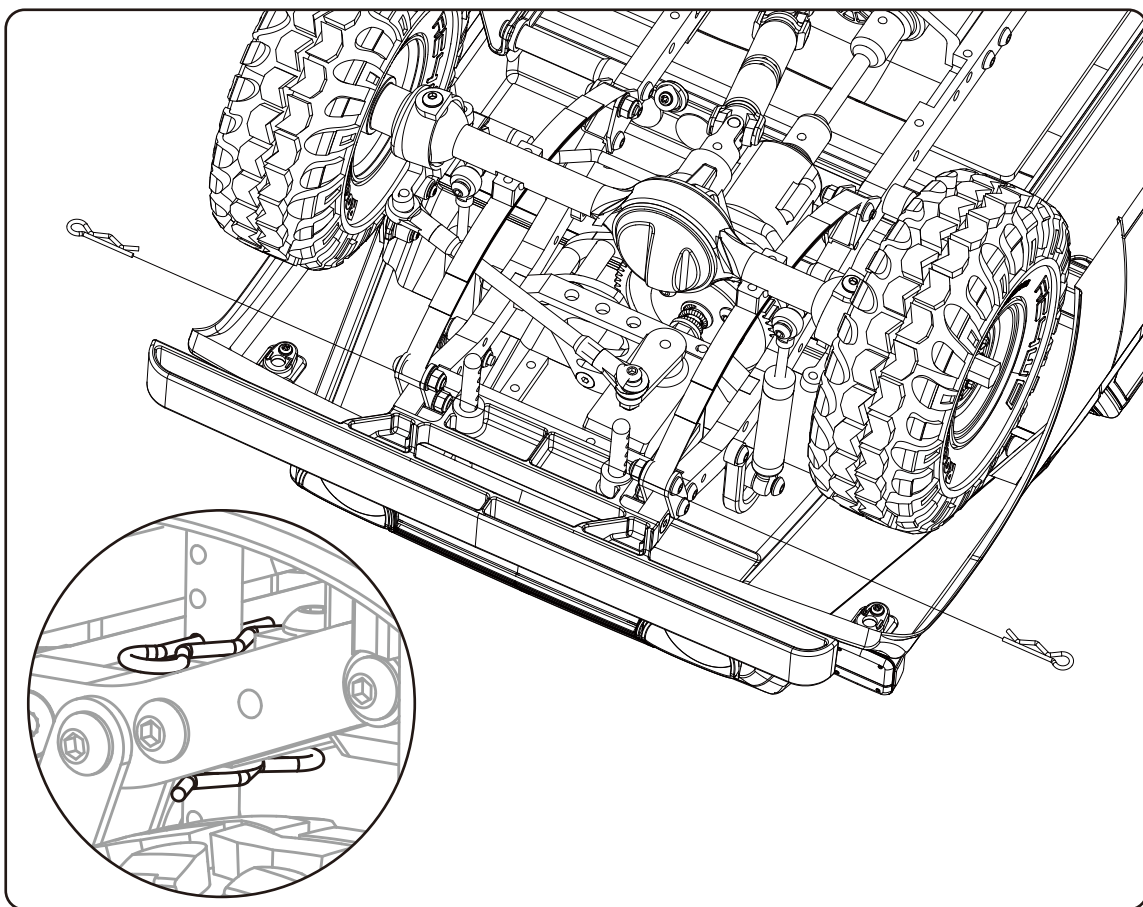
Install body clip in the 5th hole.



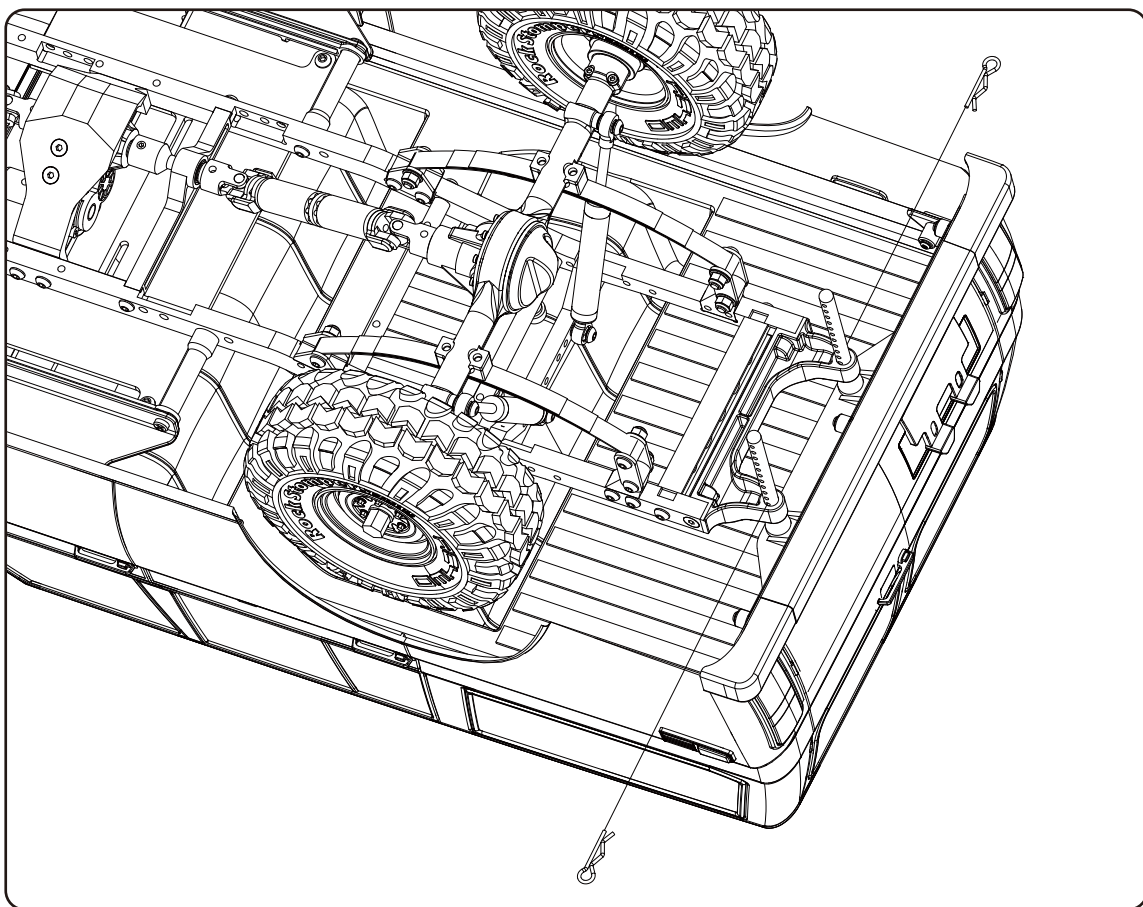
RC4WD
Step 50

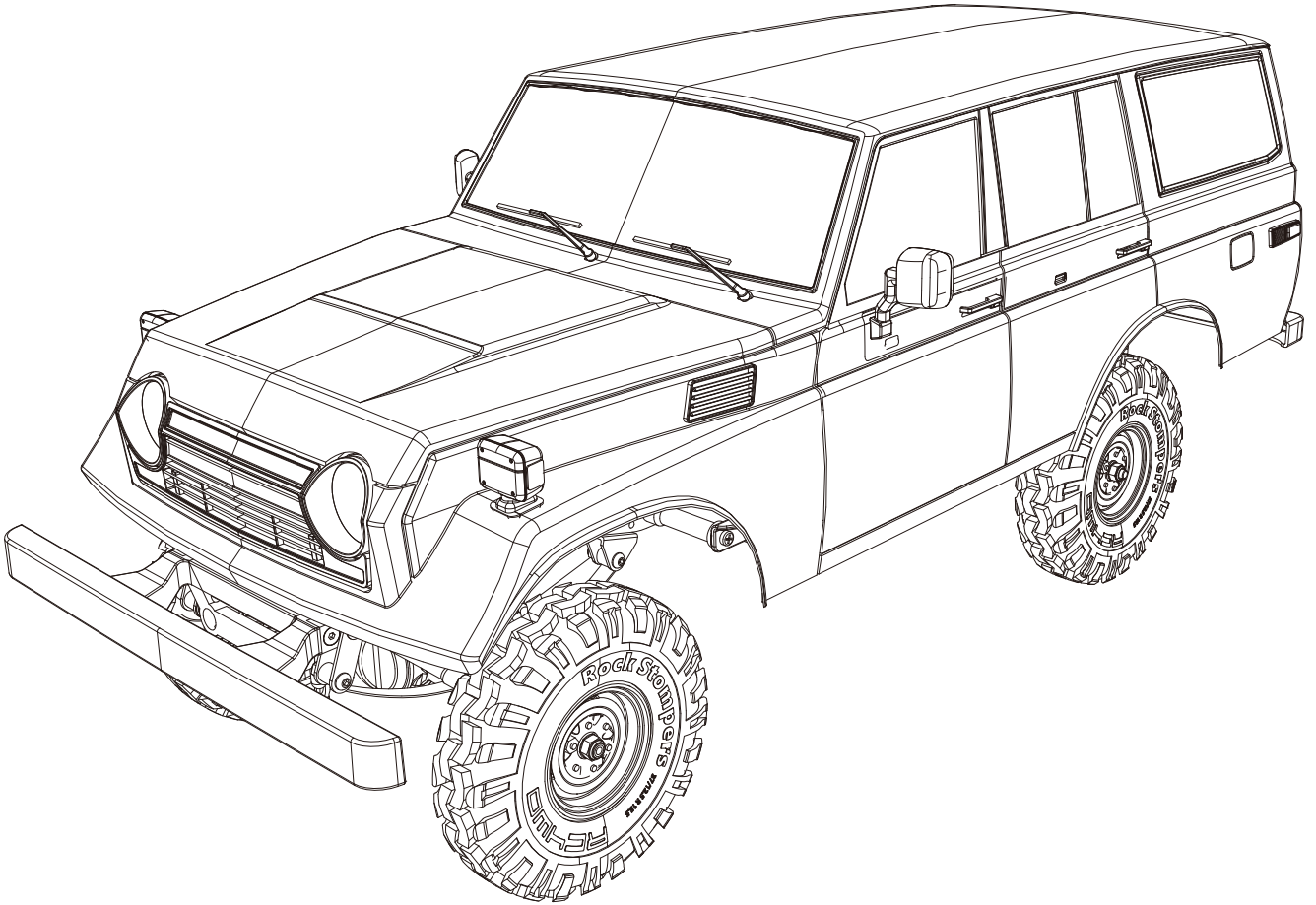


RC4WD
Step 51



RC4WD
Step 52





Drive it like you built it!



SPARE PARTS

Piezas de repuesto / Pièces de rechange / Ersatzteile

- Z-A0080 Yota II Ultimate Scale Cast Axle (Front)
- Z-A0081 Yota II Ultimate Scale Cast Axle (Rear)
- Z-D0001 Rear Shocks The Ultimate Scale Shocks 90mm (Silver)
- Z-D0004 Front Shocks The Ultimate Scale Shocks 70mm (Silver)
- Z-G0055 64t Delrin Spur Gear for R3 2 Speed Transmission
- Z-S0027 Yota 1/10 Axle Ring & Pinion Gears
- Z-S0047 Leaf Spring Shackles & Mounts Kit
- Z-S0060 Yota Front Steel Axle Shaft
- Z-S0125 M3 x 5mm Set Screw (10)
- Z-S0275 Leaf Spring Shoulder Screws (Black)
- Z-S0308 M3 x 10mm Set Screw (10)
- Z-S0398 M3 Mini Plastic Rod End (20x)
- Z-S0401 M3 Offset Short Plastic Rod End (20x)
- Z-S0430 14t 32p Hardened Steel Pinion Gear
- Z-S0518 Soft Steel Leaf Spring for Trail Finder 2
- Z-S0552 Heavy Duty Nylon Strap Lock (5)
- Z-S0592 Fuel Cell Radio Box
- Z-S0600 2mm Black Spacer with M3 Hole (10)
- Z-S0629 Nylock Nuts M3 (Black)
- Z-S0648 Steel Flat Head Socket Cap Screw M3 x 6mm (10)
- Z-S0649 Steel Flat Head Socket Cap Screw M3 x 8mm (10)
- Z-S0650 M3 x 15mm Set Screw (10)
- Z-S0651 Steel Button Head Cap Screws M3 x 6mm (10)
- Z-S0652 Steel Button Head Cap Screws M3 x 8mm (10)
- Z-S0653 Steel Button Head Cap Screws M3 x 10mm (10)
- Z-S0654 Steel Button Head Cap Screws M3 x 12mm (10)
- Z-S0655 Steel Button Head Cap Screws M3 x 14mm (10)
- Z-S0656 Steel Button Head Cap Screws M3 x 16mm (10)
- Z-S0657 Steel Button Head Cap Screws M3 x 18mm (10)
- Z-S0678 Electronics Top Plate w/Servo Mounts For Trail Finder 2
- Z-S0704 Slipper Clutch Assembly for R3 and AX2 Transmissions
- Z-S0804 M3 Driveshaft Screw Pin (5)
- Z-S0806 3mm Black Spacer with M3 Hole (10)
- Z-S0898 TF2 Long Drive Shaft Coupling for R3 Single Speed
- Z-S1732 RC4WD Assembly Combo Pack (Oil, Thread Lock, Grease)
- Z-S1825 RC4WD 12mm Hex Wheel Widener Set (+7mm)
- Z-S1836 Drag Link for Yota II (101mm / 3.98in)
- Z-S2020 RC4WD Plastic Punisher Shaft V2 (102mm-110mm / 4.02" - 4.33") 5mm Hole
- Z-T0007 Rock Stompers 1.55" Off-Road Tires
- Z-U0024 Hammer Transfer Case (1.47/1)
- Z-U0028 R3 Scale Single Speed Transmission
- Z-W0289 Vintage Yota 6 Lug Stamped Steel 1.55" Beadlock Wheels (Clear)



OPTIONAL PARTS

Partes opcionales / Pièces en option / Optionale teile

| | |
|---------|---|
| Z-D0015 | RC4WD Superlift Superide 90mm Scale Shock Absorbers |
| Z-D0033 | King Off-Road Dual Spring Shocks (90mm Medium OD) |
| Z-D0034 | RC4WD 70mm Old Man Emu Nitrocharger Sport Shock by ARB |
| Z-D0037 | King Off-Road Dual Springs Shocks (70mm) |
| Z-D0038 | RC4WD 90mm Old Man Emu Nitrocharger Sport Shock by ARB |
| Z-D0052 | Rock Krawler RRD Emulsion Scale Dual Spring Shocks (90mm) |
| Z-D0055 | King Off-Road Dual Spring Shocks (80mm Medium OD) |
| Z-E0001 | 540 Crawler Brushed Motor 80T |
| Z-E0002 | 540 Crawler Brushed Motor 65T |
| Z-E0003 | 540 Crawler Brushed Motor 55T |
| Z-E0004 | 540 Crawler Brushed Motor 45T |
| Z-E0005 | 540 Crawler Brushed Motor 35T |
| Z-E0041 | RC4WD Brushed 45T Boost Rebuildable Crawler 540 Motor |
| Z-E0045 | RC4WD Brushed 35T Boost Rebuildable Crawler 540 Motor |
| Z-E0065 | 540 Crawler Brushed Motor 20T |
| Z-E0067 | 540 Crawler Brushed Motor 27T |
| Z-E0069 | RC4WD 1/8 Warn Zeon 10 Winch |
| Z-E0075 | RC4WD 1/10 Warn 8274 Winch |
| Z-G0059 | Helical Gear Set for 1/10 Yota Axle |
| Z-R0006 | XR4 4-Channel 2.4GHZ Transmitter/Receiver Radio |
| Z-R0009 | XR3 3-Channel 2.4GHZ Transmitter/Receiver Radio |
| Z-S0565 | Front 3 Link w/Panhard Bar |
| Z-S0570 | Red Super Soft Leaf Springs |
| Z-S0986 | Superlift Adjustable Steering Stabilizer (90mm-120mm) |
| Z-S0988 | Superlift Adjustable Steering Stabilizer (65mm-90mm) |
| Z-S1089 | RC4WD Wired Winch Control Unit |
| Z-S1092 | RC4WD Warn 1/10 Wireless Remote/Receiver Winch Controller Set |
| Z-S1261 | Rebuildable Super Punisher Shaft (100mm - 118mm / 3.94" - 4.65") 5mm Hole |
| Z-S1310 | RC4WD 1/10 Warn Hawse Polished Aluminum Fairlead |
| Z-S1476 | Super Scale Steel Leaf Springs for TF2 & Tamiya Bruiser |
| Z-S1526 | RC4WD 1/10 Hi-Lift Jack |
| Z-S1571 | RC4WD 1/10 Mini Warn 9.5cti Winch |
| Z-S1587 | Teraflex Revolver Z-Box for Trail Finder, F-350, Hilux, Tundra |
| Z-S1594 | Teraflex Revolver Shackle |
| Z-S1609 | RC4WD Universal Winch Mounting Plates |
| Z-S1613 | Black Dino 1/10 Aluminum Propane Tank |
| Z-T0005 | Dirt Grabber 1.9" All Terrain Tires |
| Z-T0021 | Dirt Grabber 1.55" All Terrain Tires |
| Z-T0049 | Rock Creepers 1.9" Scale Tires |
| Z-T0050 | Mud Slingers 1.9" Tires (1x Pair) |
| Z-T0051 | Mud Thrashers 1.9" Scale Tires |
| Z-T0053 | Rock Crusher X/T 1.55" Scale Tires |
| Z-T0056 | Interco IROK 1.55" Scale Tires |
| Z-T0058 | Mickey Thompson 1.55" Baja MTZ Scale Tires |
| Z-T0064 | Mickey Thompson 1.55" Baja Claw TTC Scale Tires |
| Z-T0086 | Prowler XS Scale 1.9" Tires |
| Z-T0119 | Dick Cepek FC-II 1.9" Tire |
| Z-T0124 | Dick Cepek Fun Country 1.55" Scale Tires |
| Z-T0132 | Dick Cepek Trail Country 1.7" Scale Tires |
| Z-W0002 | 6 Lug Wagon 1.9" Steel Stamped Beadlock Wheels (Chrome) |
| Z-W0007 | Mickey Thompson Classic Lock 1.9" Internal Beadlock Wheel |
| Z-W0027 | Dick Cepek Gun Metal 7 1.9" Internal Beadlock Wheels |
| Z-W0036 | Stamped Steel 1.55" Stock Black Beadlock Wheels |
| Z-W0038 | Tango Down 1.9" Internal Beadlock Wheels |



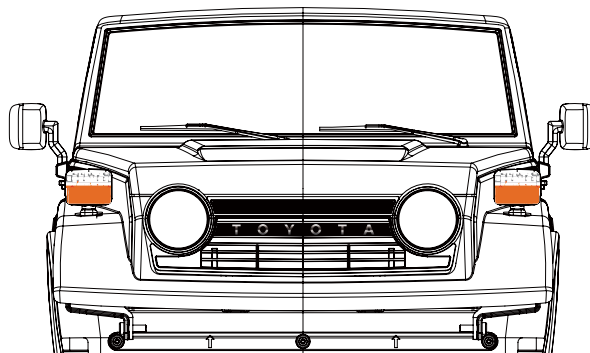
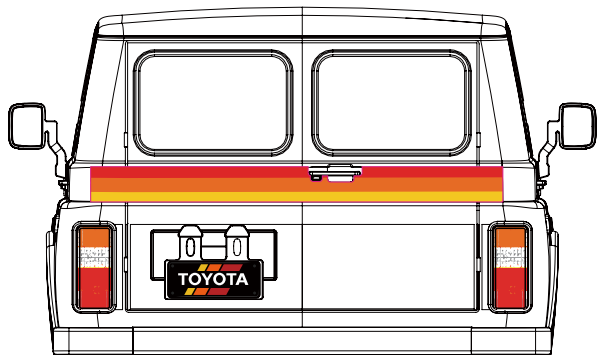
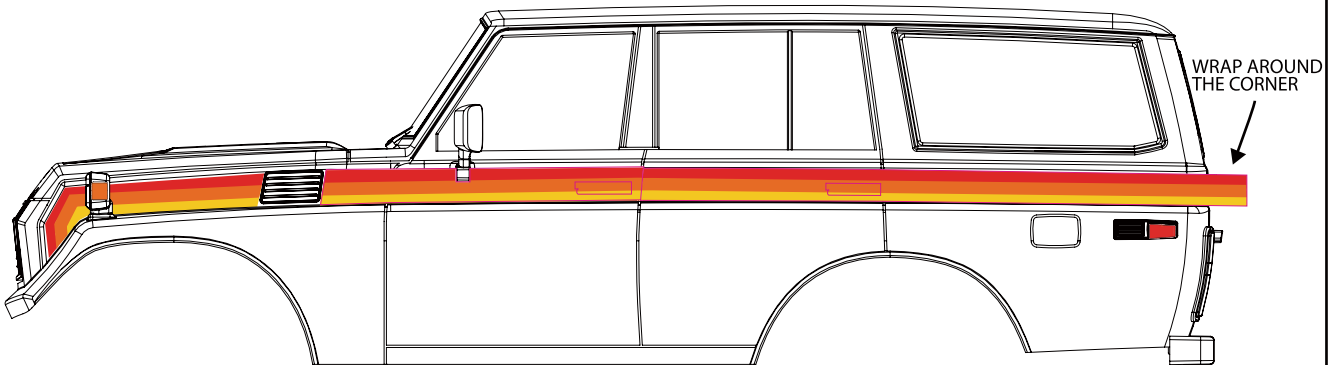
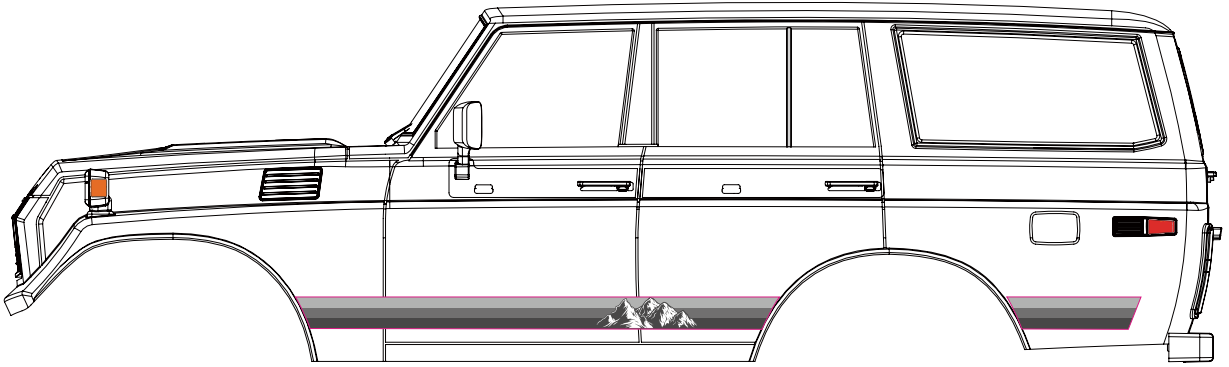
OPTIONAL PARTS

Partes opcionales / Pièces en option / Optionale teile

| | |
|---------|---|
| Z-W0073 | Pro10 1.9" Steel Stamped Beadlock Wheel (Silver) |
| Z-W0075 | 1.9" Landies Internal Beadlock Wheels |
| Z-W0076 | 1.55" Landies Vintage Stamped Steel Beadlock Wheels (White) |
| Z-W0080 | RC4WD Dick Cepek DC-2 1.9" Internal Beadlock Wheels |
| Z-W0119 | Humvee 1.9" Internal Beadlock Wheel |
| Z-W0127 | 5 Lug Wagon 1.9" Steel Stamped Beadlock Wheels (White) |
| Z-W0128 | 6 Lug Wagon 1.9" Steel Stamped Beadlock Wheels (White) |
| Z-W0129 | 5 Lug Wagon 1.9" Steel Stamped Beadlock Wheels (Black) |
| Z-W0130 | 6 Lug Wagon 1.9" Steel Stamped Beadlock Wheels (Black) |
| Z-W0140 | Hitman 1.9" Beadlock Wheels |
| Z-W0185 | Raceline Monster 1.9" Beadlock Wheels (Black) |
| Z-W0189 | Raceline Monster 1.9" Beadlock Wheels (Black/Silver) |
| Z-W0194 | Double Trouble "3" Aluminum Dually 1.9" Wheels |
| Z-W0199 | Raceline Revolver 1.55" Beadlock Wheels |
| Z-W0200 | Fuel Offroad Maverick 1.9" Beadlock Wheels |
| Z-W0204 | Toyo 1.9" Beadlock Wheels |
| Z-W0205 | Raceline Havoc 1.55" Beadlock Wheels |
| Z-W0208 | OEM Stamped Steel 1.9" Beadlock Wheels (White) |
| Z-W0210 | OEM Stamped Steel 1.9" Beadlock Wheels (Black) |
| Z-W0212 | OEM Stamped Steel 1.9" Beadlock Wheels (Plain) |



Decal Instructions





www.rc4wd.com



RC4WD

720 N. Gateway St.
Visalia, CA 93291

Web: www.rc4wd.com - Email: support@rc4wd.com

100-0107