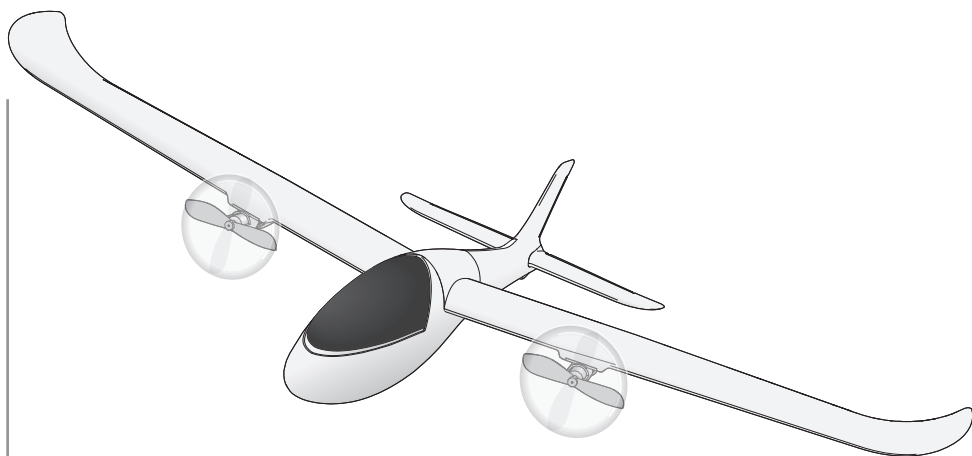


ASCENT™ MTX

Instruction Manual • Bedienungsanleitung • Manuel d'utilisation • Manuale di Istruzioni



REVOLUTION®



READY-TO-FLY

NOTICE

All instructions, warranties and other collateral documents are subject to change at the sole discretion of Horizon Hobby, LLC. For up-to-date product literature, visit www.horizonhobby.com and click on the support tab for this product.

Meaning of Special Language:

The following terms are used throughout the product literature to indicate various levels of potential harm when operating this product:

NOTICE: Procedures, which if not properly followed, create a possibility of physical property damage AND little or no possibility of injury.

CAUTION: Procedures, which if not properly followed, create the probability of physical property damage AND a possibility of serious injury.

WARNING: Procedures, which if not properly followed, create the probability of property damage, collateral damage, and serious injury OR create a high probability of superficial injury.



WARNING: Read the ENTIRE instruction manual to become familiar with the features of the product before operating. Failure to operate the product correctly can result in damage to the product, personal property and cause serious injury.

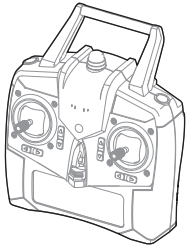
This is a sophisticated hobby product. It must be operated with caution and common sense and requires some basic mechanical ability. Failure to operate this product in a safe and responsible manner could result in injury or damage to the product or other property. This product is not intended for use by children without direct adult supervision. Do not use with incompatible components or alter this product in any way outside of the instructions provided by Horizon Hobby, LLC. This manual contains instructions for safety, operation and maintenance. It is essential to read and follow all the instructions and warnings in the manual, prior to assembly, setup or use, in order to operate correctly and avoid damage or serious injury.

Age Recommendation: Not for children under 14 years. This is not a toy.

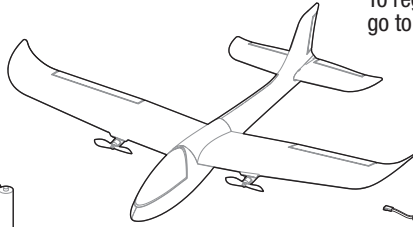
Safety Precautions and Warnings

- Always keep a safe distance in all directions around your model to avoid collisions or injury. This model is controlled by a radio signal subject to interference from many sources outside your control. Interference can cause momentary loss of control.
- Always operate your model in open spaces away from full-size vehicles, traffic and people.
- Always carefully follow the directions and warnings for this and any optional support equipment (chargers, rechargeable battery packs, etc.).
- Always keep all chemicals, small parts and anything electrical out of the reach of children.
- Always avoid water exposure to all equipment not specifically designed and protected for this purpose. Moisture causes damage to electronics.
- Never place any portion of the model in your mouth as it could cause serious injury or even death.
- Never operate your model with low transmitter batteries.
- Always keep aircraft in sight and under control.
- Always use fully charged batteries.
- Always keep the transmitter powered on while aircraft is powered.
- Always remove batteries before disassembly.
- Always keep moving parts clean.
- Always keep parts dry.
- Always let parts cool after use before touching.
- Always remove batteries after use.
- Always ensure failsafe is properly set before flying.
- Never operate aircraft with damaged wiring.
- Never touch moving parts.

Included in the Box



Transmitter

AA Alkaline
Batteries (4)

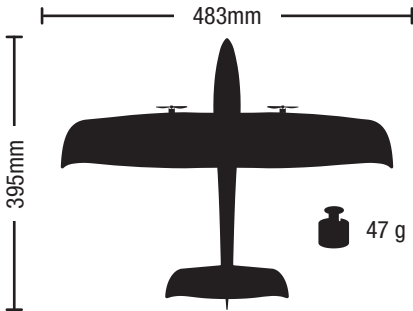
Ascent MTx

To register your product online,
go to www.horizonhobby.com

300 mAh 3.7V
Li-Po Battery

USB Charger

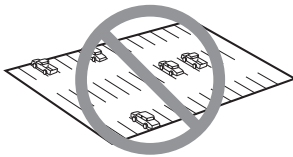
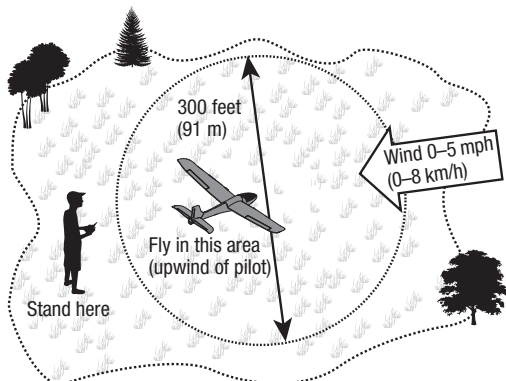
Specifications



Preflight Checklist

✓	
	1. Find a safe and open area.
	2. Charge flight battery.
	3. Install flight battery in aircraft.
	4. Perform Control Test.
	5. Plan flight for flying field conditions.
	6. Set a flight timer for 10 minutes.
	7. Have fun!

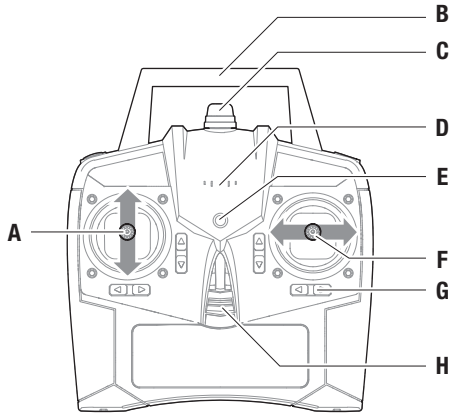
Flying Tips



- Consult local laws and ordinances before choosing a location to fly your aircraft.
- Fly your aircraft outside in no greater than light winds.
- For indoor flight, fly the aircraft inside in a large gymnasium
- Keep your aircraft in plain sight and up wind. Do not exceed the 300 foot (91 m) radio range. If the connection is lost, the motors will power off and the aircraft will descend. Leave your transmitter powered on and move closer to your aircraft to regain control.
- Always avoid flying near houses, trees, wires and buildings.
- Always avoid flying in areas where there are many people, such as busy parks, schoolyards or soccer fields.

Transmitter

- A: Throttle
- B: Handle
- C: Antenna
- D: Speaker
- E: LED
- F: Steering
- G: Steering Trim
- H: Power Switch

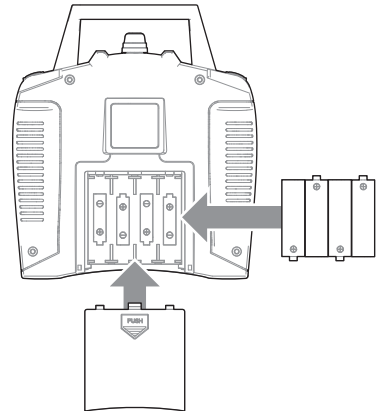


Transmitter Batteries Installation

Remove the battery cover, install the four included AA batteries (noting proper polarity) and reinstall the battery cover.

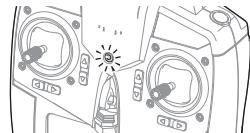
CAUTION: If using rechargeable batteries, charge only rechargeable batteries. Charging non-rechargeable batteries may cause the batteries to burst, resulting in injury to persons and/or damage to property.

CAUTION: Risk of explosion if battery is replaced by an incorrect type. Dispose of used batteries according to national regulations.



Low Battery Alarm

When the transmitter battery voltage drops too low, an alarm sounds and the LED flashes. The batteries must be replaced immediately. If this happens while flying, land your aircraft as soon and as safely as possible.



Charging Warnings

The USB charger has been designed to safely charge the included Li-Po battery.

CAUTION: All instructions and warnings must be followed exactly. Mishandling of Li-Po batteries can result in a fire, personal injury and/or property damage.

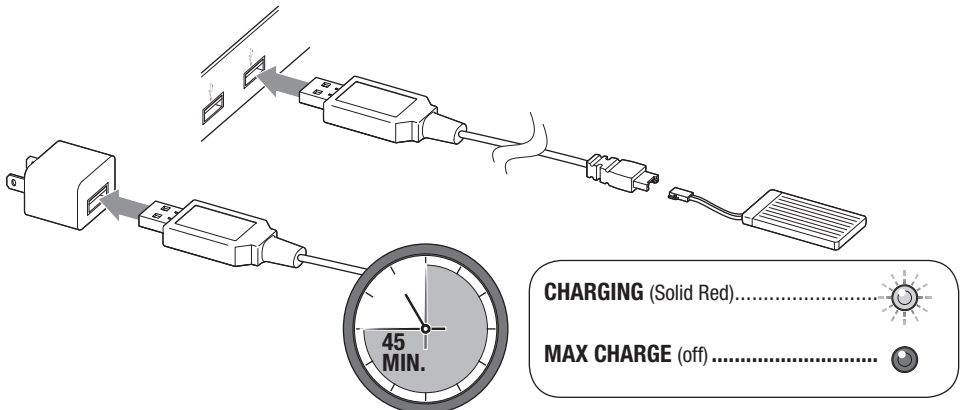
- **NEVER LEAVE CHARGING BATTERIES UNATTENDED**
- **NEVER CHARGE BATTERIES OVERNIGHT**
- By handling, charging or using the included Li-Po battery, you assume all risks associated with lithium batteries.
- If at any time the battery begins to balloon or swell, discontinue use immediately. If charging or discharging, discontinue and disconnect. Continuing to use, charge or discharge a battery that is ballooning or swelling can result in fire.
- Always store the battery at room temperature in a dry area for best results.
- Always transport or temporarily store the battery in a temperature range of 40–120° F. Do not store the battery or model in a car or direct sunlight. If stored in a hot car, the battery can be damaged or even catch fire.
- Always charge batteries away from flammable materials.
- Always inspect the battery before charging.
- Always disconnect the battery after charging, and let the charger cool between charges.
- Always constantly monitor the temperature of the battery pack while charging.
- **ONLY USE A CHARGER SPECIFICALLY DESIGNED TO CHARGE LI-PO BATTERIES.** Failure to charge the battery with a compatible charger may cause a fire resulting in personal injury and/or property damage.
- Never discharge Li-Po cells to below 3V under load.
- Never cover warning labels with hook and loop strips.
- Never charge batteries outside recommended levels.
- Never charge damaged batteries.
- Never attempt to dismantle or alter the charger.
- Never allow minors to charge battery packs.
- Never charge batteries in extremely hot or cold places (recommended between 40–120° F or 5–49° C) or place in direct sunlight.

Charging the Flight Battery

1. Connect the Li-Po battery to the included USB charger.
2. Connect the USB charger to a phone USB charge adapter (not included) or into any powered USB port.
3. The LED on the charger will glow solid red while charging and will turn off when charging is complete.

Always charge the aircraft battery before flying.

CAUTION: Do not store the Li-Po battery in the charger. Doing so could over-discharge the Li-Po battery.

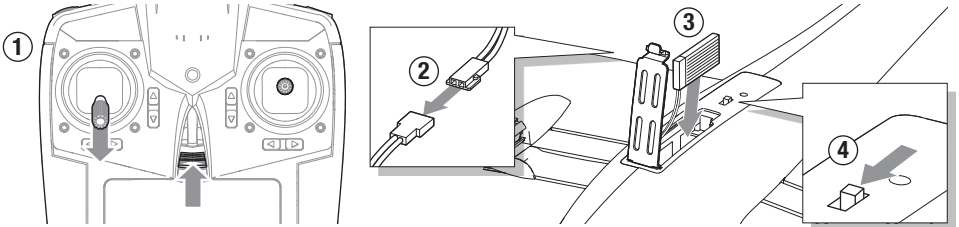


Installing the Flight Battery

1. Make sure the throttle is in the off position and turn on the transmitter.
2. Open the battery hatch on the bottom of the aircraft and plug in the flight battery.
3. Install the flight battery into the aircraft as shown and close the hatch.
4. Power on the aircraft.

⚠ CAUTION: Always disconnect the flight battery from the aircraft when not flying to avoid over-discharging the battery. Batteries discharged to a voltage lower than the lowest approved voltage may become damaged, resulting in loss of performance and potential fire when batteries are charged.

⚠ CAUTION: Keep away from the propellers.

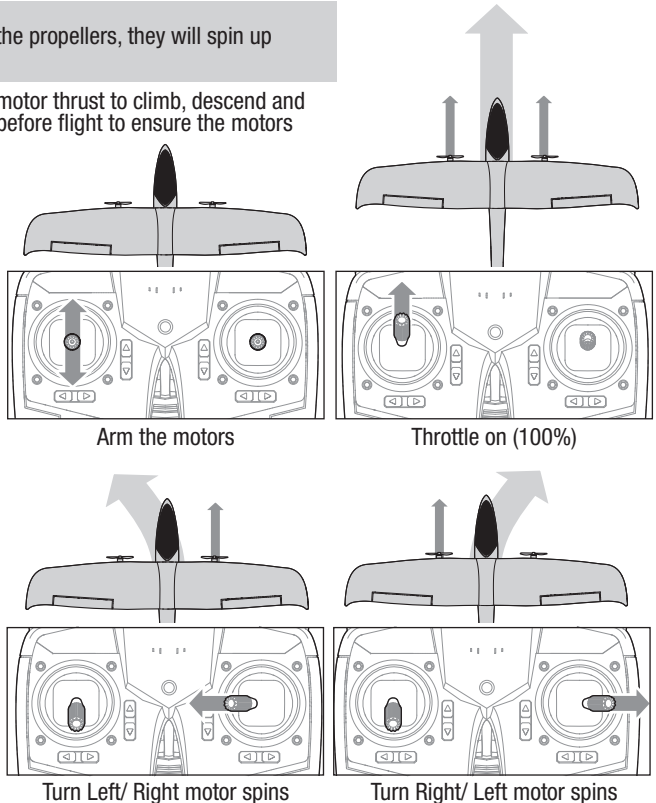


Control Test

⚠ CAUTION: Keep away from the propellers, they will spin up during the control test.

The Ascent™ MTx aircraft relies on motor thrust to climb, descend and turn. Always perform a control test before flight to ensure the motors are working properly.

1. Turn the aircraft on as shown above.
2. Turn the transmitter on.
3. Hold the aircraft so it does not escape your control.
4. Arm the motors by first moving the left stick to 100% and then back down to 0%.
5. Move the sticks on the transmitter to ensure the motors respond as shown.



Tip: To check the Left and Right turn, keep the throttle at 0% and note which motor spins.

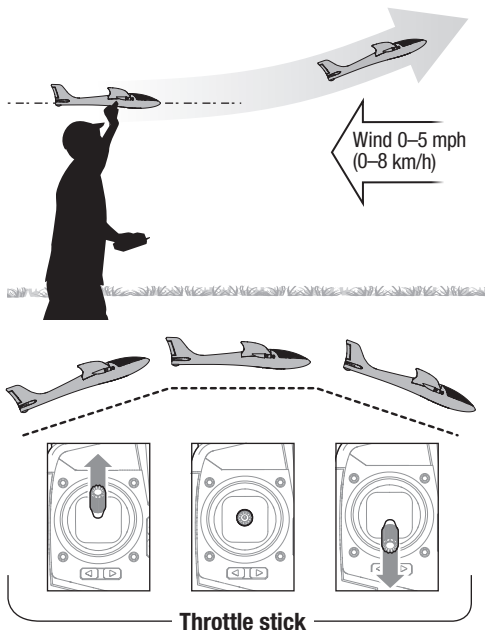
If the motors do not react as shown, refer to the Binding instructions and Troubleshooting Guide in this manual.

Flying

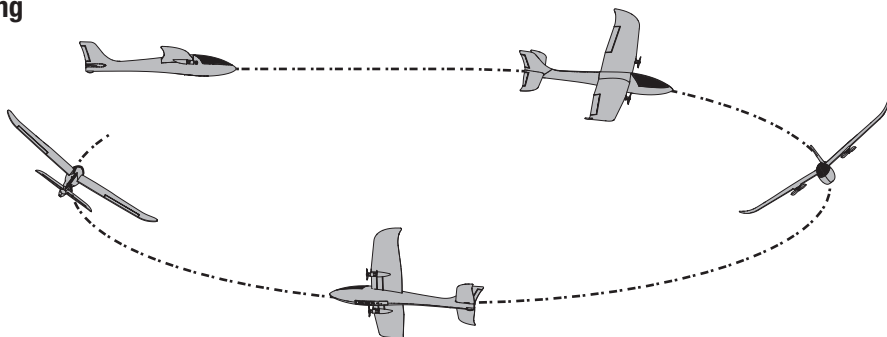
Taking Off

Get help to hand launch your aircraft so you can concentrate on flying. If you must hand launch the aircraft alone, hold the model in your dominant hand and the transmitter in your other hand.

1. Face into the wind and apply 1/2 (50%) throttle.
2. Hold the plane horizontal and launch straight and level into the wind.
3. The aircraft will climb under full throttle (100%).
4. Reduce to 50% throttle once the plane is at a safe altitude (50-75 feet) to level out.
5. Use the throttle to control altitude.



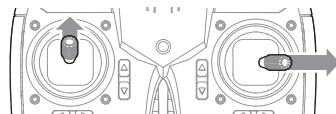
Turning



To turn the aircraft make small controlled movements with the right stick.

For a right hand turn:

1. Move the right stick slowly to the right.
2. Once the turn begins, add in a little throttle to maintain altitude.
3. Use gentle stick movements to continue the turn to the right.
 - If the turn is too wide, add more right stick.
 - If the turn is too tight, add less right stick.
4. To stop the turn, gently release the right stick and lower the throttle to maintain level flight.



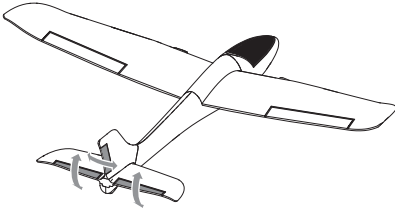
Tip: Try to finish the turn at the same altitude it was started from.

For a left hand turn, follow steps above, moving the stick to the left.

Aircraft Trim

If the aircraft's nose drifts left or right while the steering stick is at neutral (centered) press the steering trim buttons as shown in the chart to the right to correct the drift.

The Ascent MTx can also be trimmed by carefully bending the control surfaces molded into the tail as shown below.



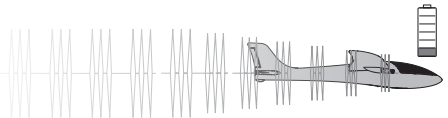
1. Center the transmitter trims.
2. Carefully bend the control surface in the direction shown in the chart to the right.

NOTE: Only make small adjustments to the control surfaces. Avoid making large changes as this could affect flight performance.

Direction of Drift	Button to Correct
	<p>Right Stick</p>
	<p>Right Stick</p>

Direction of Drift	Bend Direction

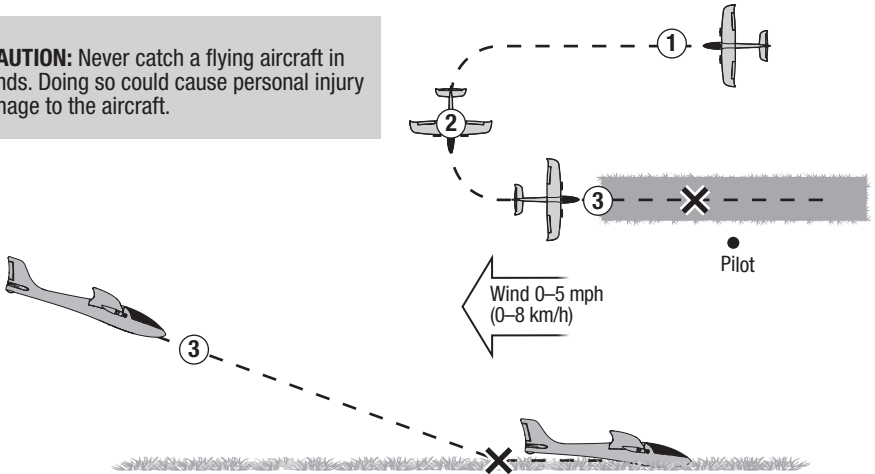
When you notice any reduction of power or 10 minutes have elapsed, immediately land the aircraft and recharge the battery.



Landing

1. Fly downwind and reduce the throttle to 25% to begin the descent.
2. Begin turning towards the runway, heading into the wind.
3. Reduce the throttle to 0% and glide onto the runway.
 - If you are going to land short of the runway, add a little throttle to extend the glide.
 - If you are going too fast to land, go around and try again.

CAUTION: Never catch a flying aircraft in your hands. Doing so could cause personal injury and damage to the aircraft.



Post flight Checklist

✓	
	1. Lower throttle to 0%
	2. Disconnect and remove the flight battery
	3. Power off the transmitter
	4. Fully charge the flight battery

✓	
	5. After charging is complete, remove the battery and store in a safe place
	6. Inspect airframe and make any repairs
	7. Store in the original product box

NOTICE: When you are finished flying, never leave the aircraft in direct sunlight or in a hot, enclosed area such as a car. Doing so can damage the foam.

NOTICE: Always disconnect the battery from the aircraft before powering off the transmitter or injury and damage may result.

Repairs

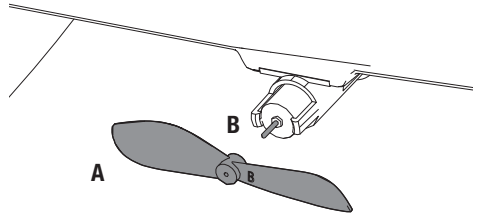
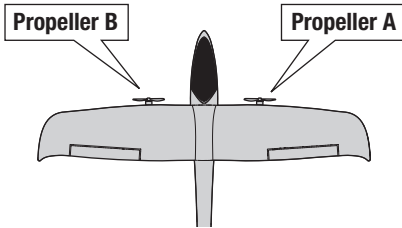
Repairs to the foam can be made using virtually any adhesive (hot glue, regular CA (cyanoacrylate adhesive), epoxy or tape).

1. For small tears, use CA to bond the break
2. When parts are not repairable, see the Replacement Parts List for ordering by item number. For a listing of all replacement and optional parts, refer to the list at the back of this manual.

Propeller Service

1. Remove the propeller (A) from the motor shaft (B).
2. Carefully align the new propeller on the motor shaft and firmly press into place.

IMPORTANT: The propellers must be installed with the propeller marked with an *A* on the right and *B* on the left. See illustration below.



Binding

If your aircraft does not respond to the transmitter when the batteries in the aircraft and transmitter are fully charged, bind your aircraft and transmitter by using the instructions below.

1. Turn off the aircraft by first disconnecting the flight battery from the aircraft and then powering off the transmitter.
2. Make sure your transmitter's controls are neutral, and the throttle is in the off position (0%).
3. Power on the transmitter. The red LED will start flashing indicating the transmitter is in Bind mode.
4. Connect the flight battery to the aircraft and move the switch to the on position.
5. Hold the transmitter more than 24 inches (60 cm) away from the aircraft. Keep away from large metal objects, wireless sources and other transmitters.
6. Move the throttle stick from power off (0%) to full throttle (100%) and back to power off. The red LED will change from flashing to solid when the Bind is complete.
7. Once the Bind is complete you will have control of the motors with the throttle and steering stick.

Troubleshooting Guide

Problem	Possible Cause	Solution
Aircraft does not respond to the transmitter	No connection	Follow Binding Instructions. Follow "Installing the Flight Battery" instructions. Replace or recharge batteries
	Transmitter too near the aircraft or both are too near large metal objects, wireless sources or another transmitter during battery connection or Binding	Move to another location, with the transmitter more than 24 inches (60 cm) from the aircraft and attempt battery connection or Binding again
	Low or no power	Replace or recharge batteries and correctly connect the aircraft battery
Poor aircraft response to the transmitter	Poor radio connection	Replace or recharge batteries
	Poor control adjustment or damage to the aircraft	Adjust steering by using left or right trim buttons or land immediately and adjust, repair or replace parts
Aircraft turns in one direction	Poor control adjustment or damage to the aircraft	Adjust steering by using the left or right trim buttons or land immediately and adjust, repair or replace parts
	Wind is too gusty or strong	Fly on a calmer day
Aircraft rises steeply at half throttle	Poor control adjustment or damage to the aircraft	Use less throttle to fly without climbing
	Elevator is trimmed for a climb	Flex elevator down slightly
	Aircraft battery is incorrectly installed	Install aircraft battery fully back
	Wind is too gusty or strong	Fly on a calmer day
Aircraft will not climb	Poor control adjustment or damage to the aircraft	Increase throttle making the airplane fly faster and climb
	Elevator is trimmed for a descent	Flex elevator up slightly
	Propellers or spinners are loose or damaged	Land immediately and adjust, repair or replace parts
	Low or no power	Replace or recharge batteries
Aircraft is difficult to launch in the wind	Gusty or cross winds	Launch directly into the wind
	Wind speed is too fast for safe flight	Fly on a calmer day
Flight time is too short	Battery is not fully charged or is damaged	Recharge or replace the battery
	Propellers are loose or damaged	Land immediately and adjust, repair or replace parts
	Flying at full throttle during entire flight	Fly at just above half throttle to increase flying time
	Wind speed is too fast for safe flight	Fly on a calmer day
Aircraft vibrates	Propellers or spinners are loose or damaged	Land immediately and adjust, repair or replace parts

Limited Warranty

What this Warranty Covers

Horizon Hobby, LLC, (Horizon) warrants to the original purchaser that the product purchased (the "Product") will be free from defects in materials and workmanship at the date of purchase.

What is Not Covered

This warranty is not transferable and does not cover (i) cosmetic damage, (ii) damage due to acts of God, accident, misuse, abuse, negligence, commercial use, or due to improper use, installation, operation or maintenance, (iii) modification of or to any part of the Product, (iv) attempted service by anyone other than a Horizon Hobby authorized service center, (v) Product not purchased from an authorized Horizon dealer, or (vi) Product not compliant with applicable technical regulations, or (vii) use that violates any applicable laws, rules, or regulations.

OTHER THAN THE EXPRESS WARRANTY ABOVE, HORIZON MAKES NO OTHER WARRANTY OR REPRESENTATION, AND HEREBY DISCLAIMS ANY AND ALL IMPLIED WARRANTIES, INCLUDING, WITHOUT LIMITATION, THE IMPLIED WARRANTIES OF NON-INFRINGEMENT, MERCHANTABILITY AND FITNESS FOR A PARTICULAR PURPOSE. THE PURCHASER ACKNOWLEDGES THAT THEY ALONE HAVE DETERMINED THAT THE PRODUCT WILL SUITABLY MEET THE REQUIREMENTS OF THE PURCHASER'S INTENDED USE.

Purchaser's Remedy

Horizon's sole obligation and purchaser's sole and exclusive remedy shall be that Horizon will, at its option, either (i) service, or (ii) replace, any Product determined by Horizon to be defective.

Horizon reserves the right to inspect any and all Product(s) involved in a warranty claim. Service or replacement decisions are at the sole discretion of Horizon. Proof of purchase is required for all warranty claims. SERVICE OR REPLACEMENT AS PROVIDED UNDER THIS WARRANTY IS THE PURCHASER'S SOLE AND EXCLUSIVE REMEDY.

Limitation of Liability

HORIZON SHALL NOT BE LIABLE FOR SPECIAL, INDIRECT, INCIDENTAL OR CONSEQUENTIAL DAMAGES, LOSS OF PROFITS OR PRODUCTION OR COMMERCIAL LOSS IN ANY WAY, REGARDLESS OF WHETHER SUCH CLAIM IS BASED IN CONTRACT, WARRANTY, TORT, NEGLIGENCE, STRICT LIABILITY OR ANY OTHER THEORY OF LIABILITY, EVEN IF HORIZON HAS BEEN ADVISED OF THE POSSIBILITY OF SUCH DAMAGES. Further, in no event shall the liability of Horizon exceed the individual price of the Product on which liability is asserted. As Horizon has no control over use, setup, final assembly, modification or misuse, no liability shall be assumed nor accepted for any resulting damage or injury. By the act of use, setup or assembly, the user accepts all resulting liability. If you as the purchaser or user are not prepared to accept the liability associated with the use of the Product, purchaser is advised to return the Product immediately in new and unused condition to the place of purchase.

Law

These terms are governed by Illinois law (without regard to conflict of law principals). This warranty gives you specific legal rights, and you may also have other rights which vary from state to state. Horizon reserves the right to change or modify this warranty at any time without notice.

WARRANTY SERVICES

Questions, Assistance, and Services

Your local hobby store and/or place of purchase cannot provide warranty support or service. Once assembly, setup or use of the Product has been started, you must contact your local distributor or Horizon directly. This will enable Horizon to better answer your questions and service you in

the event that you may need any assistance. For questions or assistance, please visit our website at www.horizonhobby.com, submit a Product Support Inquiry, or call the toll free telephone number referenced in the Warranty and Service Contact Information section to speak with a Product Support representative.

Inspection or Services

If this Product needs to be inspected or serviced and is compliant in the country you live and use the Product in, please use the Horizon Online Service Request submission process found on our website or call Horizon to obtain a Return Merchandise Authorization (RMA) number. Pack the Product securely using a shipping carton. Please note that original boxes may be included, but are not designed to withstand the rigors of shipping without additional protection. Ship via a carrier that provides tracking and insurance for lost or damaged parcels, as Horizon is not responsible for merchandise until it arrives and is accepted at our facility. An Online Service Request is available at http://www.horizonhobby.com/content/_service-center_render-service-center. If you do not have internet access, please contact Horizon Product Support to obtain a RMA number along with instructions for submitting your product for service. When calling Horizon, you will be asked to provide your complete name, street address, email address and phone number where you can be reached during business hours. When sending product into Horizon, please include your RMA number, a list of the included items, and a brief summary of the problem. A copy of your original sales receipt must be included for warranty consideration. Be sure your name, address, and RMA number are clearly written on the outside of the shipping carton.

NOTICE: Do not ship LiPo batteries to Horizon. If you have any issue with a LiPo battery, please contact the appropriate Horizon Product Support office.

Warranty Requirements

For Warranty consideration, you must include your original sales receipt verifying the proof-of-purchase date. Provided warranty conditions have been met, your Product will be serviced or replaced free of charge. Service or replacement decisions are at the sole discretion of Horizon.

Non-Warranty Service

Should your service not be covered by warranty, service will be completed and payment will be required without notification or estimate of the expense unless the expense exceeds 50% of the retail purchase cost. By submitting the item for service you are agreeing to payment of the service without notification. Service estimates are available upon request. You must include this request with your item submitted for service. Non-warranty service estimates will be billed a minimum of ½ hour of labor. In addition you will be billed for return freight. Horizon accepts money orders and cashier's checks, as well as Visa, MasterCard, American Express, and Discover cards. By submitting any item to Horizon for service, you are agreeing to Horizon's Terms and Conditions found on our website http://www.horizonhobby.com/content/_service-center_render-service-center.

ATTENTION: Horizon service is limited to Product compliant in the country of use and ownership. If received, a non-compliant Product will not be serviced. Further, the sender will be responsible for arranging return shipment of the un-serviced Product, through a carrier of the sender's choice and at the sender's expense. Horizon will hold non-compliant Product for a period of 60 days from notification, after which it will be discarded.

Warranty and Service Contact Information

Country of Purchase	Horizon Hobby	Phone Number/Email Address	Address
United States of America	Horizon Service Center (Repairs and Repair Requests)	servicecenter.horizonhobby.com/RequestForm/	4105 Fieldstone Rd Champaign, Illinois, 61822 USA
	Horizon Product Support (Product Technical Assistance)	productsupport@horizon-hobby.com 877-504-0233	
	Sales	websales@horizonhobby.com 800-338-4639	

IC Information

IC: 6157A-RVOF1100

Under Industry Canada regulations, this radio transmitter may only operate using an antenna of a type and maximum (or lesser) gain approved for the transmitter by Industry Canada. To reduce potential radio interference to other users, the antenna type and its gain should be so chosen that the equivalent isotropically radiated power (e.i.r.p.) is not more than that necessary for successful communication.

This device complies with Industry Canada licence-exempt RSS standard(s). Operation is subject to the following two conditions: (1) this device may not cause interference, and (2) this device must accept any interference, including interference that may cause undesired operation of the device.”

FCC Information

FCC: BRWRVOF1100

This equipment has been tested and found to comply with the limits for Part 15 of the FCC rules. These limits are designed to provide reasonable protection against harmful interference in a residential installation. This equipment generates uses and can radiate radio frequency energy and, if not installed and used in accordance with the instructions, may cause harmful interference to radio communications.

However, there is no guarantee that interference will not occur in a particular installation. If this equipment does cause harmful interference to radio or television reception, which can be determined by turning the equipment off and on, the user is encouraged to try to correct the interference by one or more of the following measures:

- Reorient or relocate the receiving antenna.
- Increase the separation between the equipment and receiver.
- Connect the equipment to an outlet on a circuit different from that to which the receiver is connected.

This device complies with part 15 of the FCC rules. Operation is subject to the following two conditions: (1) This device may not cause harmful interference, and (2) this device must accept any interference received, including interference that may cause undesired operation

REMARQUE

La totalité des instructions, garanties et autres documents est sujette à modification à la seule discrétion d'Horizon Hobby, LLC. Pour obtenir la documentation à jour, rendez-vous sur le site www.horizonhobby.com et cliquez sur l'onglet de support de ce produit.

Signification de certains termes spécifiques :

Les termes suivants sont utilisés dans l'ensemble du manuel pour indiquer différents niveaux de danger lors de l'utilisation de ce produit :

REMARQUE : procédures qui, si elles ne sont pas suivies correctement, peuvent entraîner des dégâts matériels ET éventuellement un faible risque de blessures.

ATTENTION : procédures qui, si elles ne sont pas suivies correctement, peuvent entraîner des dégâts matériels ET des blessures graves.

AVERTISSEMENT : procédures qui, si elles ne sont pas suivies correctement, peuvent entraîner des dégâts matériels et des blessures graves OU engendrer une probabilité élevée de blessure superficielle.



AVERTISSEMENT : lisez la TOTALITÉ du manuel d'utilisation afin de vous familiariser avec les caractéristiques du produit avant de le faire fonctionner. Une utilisation incorrecte du produit peut entraîner sa détérioration, ainsi que des risques de dégâts matériels, voire de blessures graves.

Ceci est un produit de loisirs sophistiqué. Il doit être manipulé avec prudence et bon sens et requiert des aptitudes de base en mécanique. Toute utilisation irresponsable ne respectant pas les principes de sécurité peut provoquer des blessures, entraîner des dégâts matériels et endommager le produit. Ce produit n'est pas destiné à être utilisé par des enfants sans la surveillance directe d'un adulte. N'essayez pas de modifier ou d'utiliser ce produit avec des composants incompatibles hors des instructions fournies par Horizon Hobby, LLC. Ce manuel comporte des instructions relatives à la sécurité, au fonctionnement et à l'entretien. Il est capital de lire et de respecter la totalité des instructions et avertissements du manuel avant l'assemblage, le réglage et l'utilisation, ceci afin de manipuler correctement l'appareil et d'éviter tout dégât matériel ou toute blessure grave.

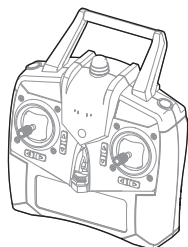
14 ans et plus. Ceci n'est pas un jouet.

Précautions et avertissements liés à la sécurité

- Conservez toujours une distance de sécurité tout autour du modèle afin d'éviter les collisions ou risques de blessures. Ce modèle est contrôlé par un signal radio, qui peut être soumis à des interférences provenant de nombreuses sources que vous ne maîtrisez pas. Les interférences sont susceptibles d'entraîner une perte de contrôle momentanée.
- Faites toujours fonctionner votre modèle dans des espaces dégagés, à l'écart des véhicules, de la circulation et des personnes.
- Respectez toujours scrupuleusement les instructions et avertissements relatifs à votre modèle et à tous les équipements complémentaires optionnels utilisés (chargeurs, packs de batteries rechargeables, etc.).
- Tenez toujours tous les produits chimiques, les petites pièces et les composants électriques hors de portée des enfants.
- Évitez toujours d'exposer à l'eau tout équipement non conçu et protégé à cet effet. L'humidité endommage les composants électroniques.
- Ne mettez jamais aucune partie du modèle dans votre bouche. Vous vous exposeriez à un risque de blessure grave, voire mortelle.
- Ne faites jamais fonctionner votre modèle lorsque les batteries de l'émetteur sont faibles.
- Gardez toujours votre modèle à vue afin d'en garder le contrôle.
- Utilisez toujours des batteries totalement chargées.
- Laissez toujours l'émetteur sous tension tant que la batterie du modèle est branchée.
- Débranchez toujours la batterie avant de désassembler le modèle.
- Nettoyez toujours les parties mobiles.
- Gardez toujours le modèle à l'écart de l'humidité.
- Laissez toujours refroidir avant de manipuler.
- Débranchez toujours la batterie après utilisation.
- Débranchez toujours que le failsafe est correctement réglé avant d'effectuer un vol.
- N'utilisez jamais l'avion si le câblage est endommagé.
- Ne touchez jamais les parties mobiles.

Inclus dans la boîte

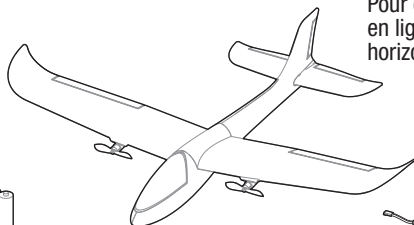
Pour enregistrer votre produit en ligne, rendez-vous sur www.horizonhobby.com



Émetteur



Piles alcalines AA (4)



Ascent MTx

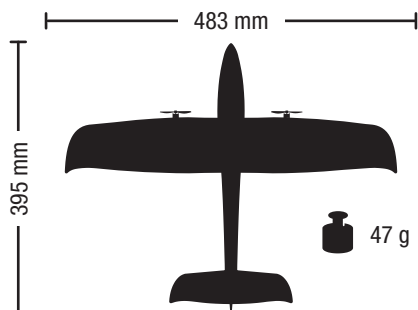


Batterie au lithium-polymère 300mAh 3,7V



Chargeur USB

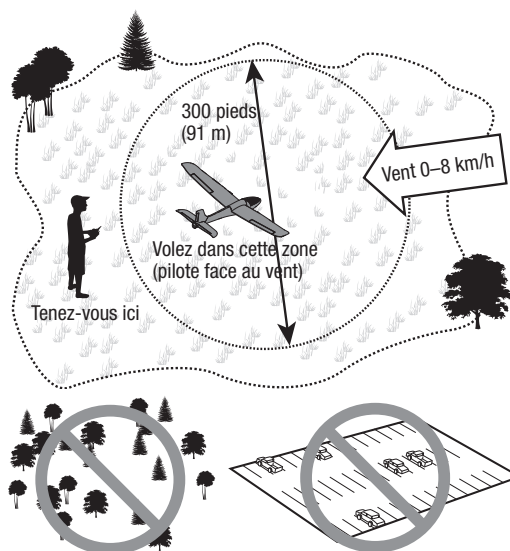
Specifications



Checklist d'avant vol

✓	
	1. Trouvez une zone sûre et bien dégagée.
	2. Chargez la batterie.
	3. Installez la batterie dans l'avion.
	4. Effectuez un test des commandes.
	5. Planifiez votre vol en fonction des conditions du terrain.
	6. Réglez le chronomètre sur 10 minutes.
	7. Amusez-vous!

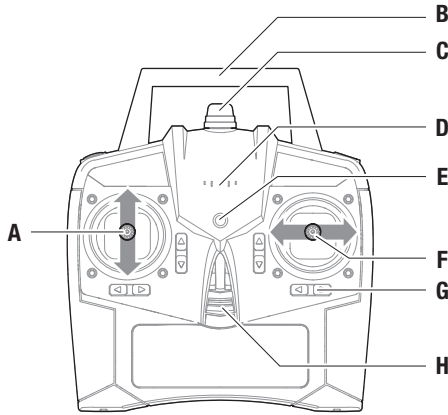
Conseils de vol



- Consultez les réglementations locales avant de choisir un lieu pour effectuer le vol.
- Effectuez les vols en extérieur, par vent faible uniquement.
- Les vols en intérieur se font dans un grand gymnase.
- Toujours garder votre avion à vue et à une altitude suffisante. Ne pas dépasser une distance de 91 m qui correspond à la portée radio. En cas de perte de connexion, les moteurs s'éteindront et l'avion descendra. Laissez votre émetteur sous tension et rapprochez-vous de votre avion pour en reprendre le contrôle.
- Toujours voler à l'écart des maisons, des arbres, des lignes électriques et autres constructions.
- Toujours voler à l'écart des zones fréquentées comme les parcs, les cours d'écoles ou les terrains de sport.

Émetteur

- A : Gaz
- B : Poignée
- C : Antenne
- D : Haut-parleur
- E : DEL
- F : Direction
- G : Compensateur de direction
- H : Interrupteur

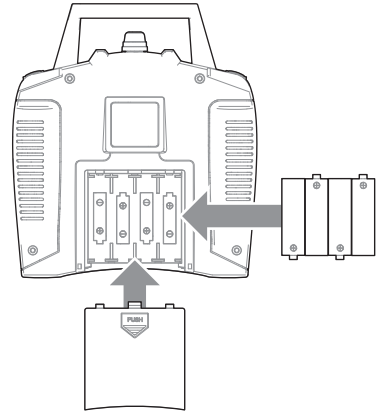


Installation des piles de l'émetteur

Retirez le couvercle des piles, installez les quatre piles AA incluses (en faisant attention à la polarité) et remettez le couvercle des piles.

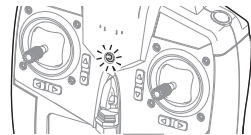
ATTENTION : Si vous utilisez des piles rechargeables, ne rechargez que les piles rechargeables. Tenter de recharger des piles non rechargeables peut provoquer une explosion, entraînant des blessures corporelles et/ou des dégâts matériels.

ATTENTION : Risque d'explosion si le type de piles insérées n'est pas correct. Jetez les piles usées conformément aux réglementations locales.



Alarme de batterie faible

Lorsque la tension des piles de l'émetteur est trop faible, une alarme se fait entendre et la DEL clignote. Les piles doivent être remplacées immédiatement. Si cela se produit en vol, posez votre aéronef dès que possible en toute sécurité.



Avertissements relatifs à la batterie

L'émetteur livré avec le Duet a été développé afin de charger la batterie Li-Po de façon sûre.

⚠ ATTENTION: Toutes les instructions et mises en garde doivent être scrupuleusement suivies. Une mauvaise utilisation des batteries Li-Po peut produire un incendie, des dommages aux personnes ainsi qu'aux biens.

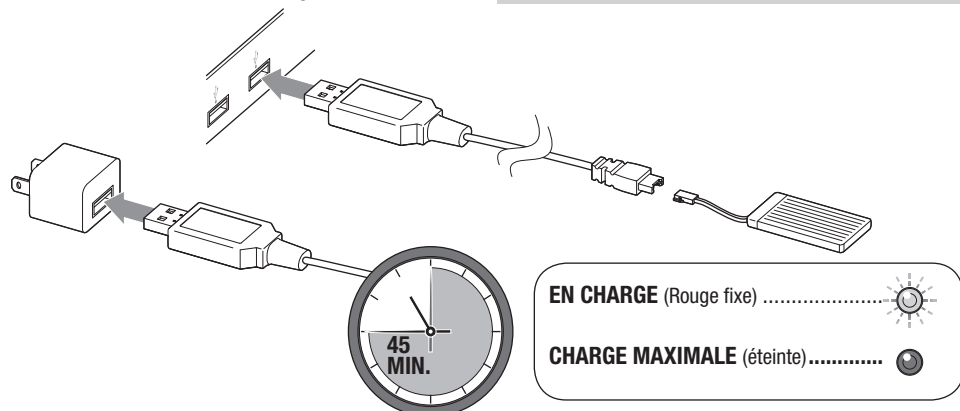
- Manipuler, charger ou utiliser la batterie Li-Po incluse indique que vous assumez les risques liés à l'utilisation de batteries au Lithium.
- Si à quelque moment que ce soit, la batterie commence à gonfler ou suinter, arrêter l'utilisation immédiatement. Si en charge ou en décharge, cessez immédiatement et déconnectez la batterie. Continuer à utiliser, charger ou décharger une batterie gonflée, ou suintante peut provoquer un incendie.
- Pour obtenir les meilleurs résultats, entreposez toujours la batterie à température ambiante, dans un endroit sec.
- Lorsque vous transportez la batterie ou que vous la stockez temporairement, la température doit toujours être comprise entre 5 et 49 °C.
- Ne stockez en aucun cas la batterie ou l'hélicoptère dans une voiture ou à un endroit directement exposé à la lumière du soleil. Laisseée dans une voiture chaude, la batterie peut se détériorer ou même prendre feu.
- Chargez toujours les batteries à distance de tout matériau inflammable.
- Faites toujours l'inspection de la batterie avant la charge, et ne chargez jamais des batteries hors d'usage ou endommagées.
- Déconnectez toujours la batterie après la charge, et laissez le chargeur refroidir entre les charges.
- Surveillez toujours en continu la température du pack de batteries au cours de la charge.
- UTILISEZ EXCLUSIVEMENT UN CHARGEUR CONÇU SPÉCIFIQUEMENT POUR CHARGER DES BATTERIES LI-PO. Le fait de charger la batterie avec un chargeur non compatible peut être à l'origine d'un incendie provoquant des blessures corporelles et/ou des dégâts matériels.
- Ne déchargez jamais les cellules Li-Po en dessous de 3 V.
- Ne couvrez jamais les étiquettes d'avertissement avec des bandes auto-agrippantes.
- Ne laissez jamais sans surveillance des batteries en cours de charge.
- Ne chargez jamais les batteries sans respecter les niveaux recommandés.
- N'essayez jamais de démonter ou de modifier le chargeur.
- Ne laissez jamais des mineurs charger des packs de batteries.
- Ne chargez jamais les batteries dans des endroits extrêmement chauds ou froids (la plage de températures recommandées se situe entre 5 et 49 °C) et ne les exposez jamais à la lumière directe du soleil.

Recharge de la batterie de vol

1. Raccordez la batterie au lithium-polymère au chargeur USB inclus.
2. Raccordez le chargeur USB à un adaptateur de charge USB pour téléphone (non inclus) ou à un port USB sous tension.
3. La DEL sur le chargeur brillera d'un rouge fixe pendant la charge et s'éteindra lorsque la batterie sera entièrement chargée.

Rechargez toujours la batterie de l'aéronef avant de le faire voler.

⚠ ATTENTION : Ne rangez pas la batterie au lithium-polymère dans le chargeur. Cela risque d'entraîner une décharge excessive de la batterie au lithium-polymère.

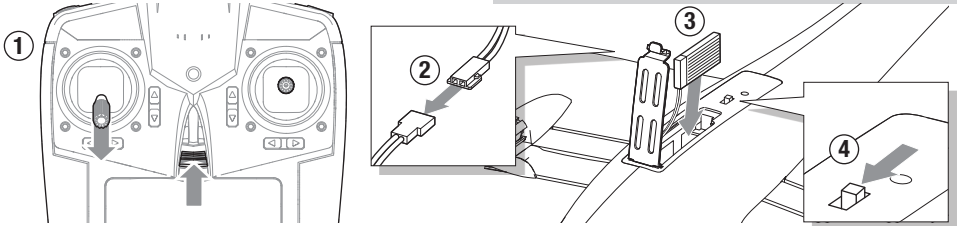


Installation de la batterie de vol

1. Assurez-vous que la commande des gaz est en position éteinte et allumez l'émetteur.
2. Ouvrez le compartiment de batterie au bas de l'aéronef et branchez-y la batterie de vol.
3. Installez la batterie de vol dans l'aéronef comme indiqué et refermez la trappe.
4. Allumez l'aéronef.

⚠ ATTENTION : Débranchez toujours la batterie de vol de l'aéronef lorsque vous ne le faites pas voler pour éviter toute décharge excessive de la batterie. Une batterie déchargée à une tension inférieure à la plus basse tension approuvée peut s'endommager, entraînant une perte de performance et un risque d'incendie lorsque la batterie est rechargée.

⚠ ATTENTION : Ne vous approchez pas des hélices.



Test des commandes

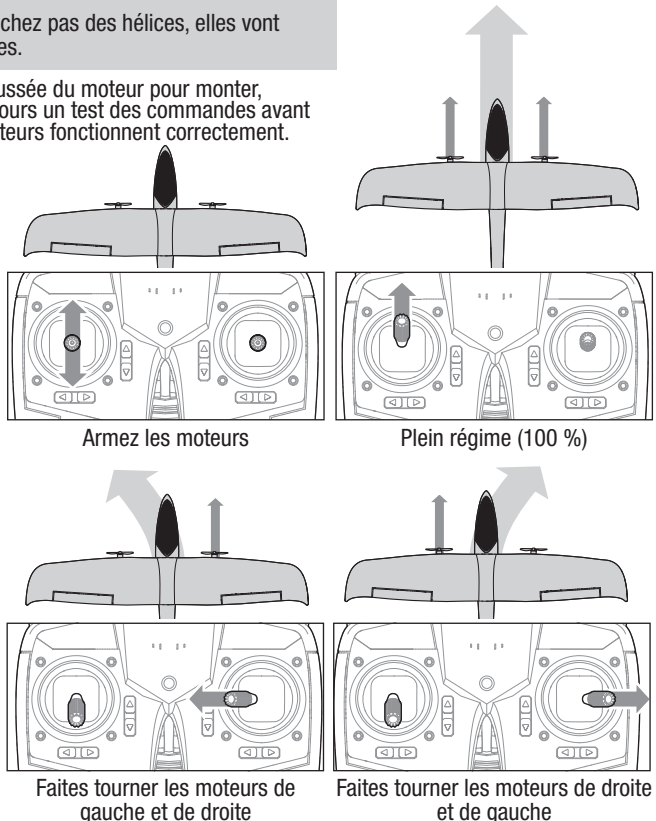
⚠ ATTENTION : Ne vous approchez pas des hélices, elles vont tourner lors du test des commandes.

L'aéronef Ascent™ MTx utilise la poussée du moteur pour monter, descendre et tourner. Effectuez toujours un test des commandes avant le vol pour vous assurer que les moteurs fonctionnent correctement.

1. Allumez l'aéronef comme indiqué ci-dessus.
2. Allumez l'émetteur.
3. Tenez l'aéronef afin qu'il n'échappe pas à votre contrôle.
4. Armez les moteurs en commençant par mettre le levier de gauche sur 100 %, puis en le ramenant à 0 %.
5. Bougez les leviers sur l'émetteur pour vous assurer que les moteurs répondent comme indiqué.

Astuce : Pour vérifier la direction à gauche et à droite, maintenez la commande des gaz à 0 % et notez quel moteur tourne.

Si les moteurs ne réagissent pas comme indiqué, consultez les consignes d'affectation et le guide de dépannage dans ce manuel.

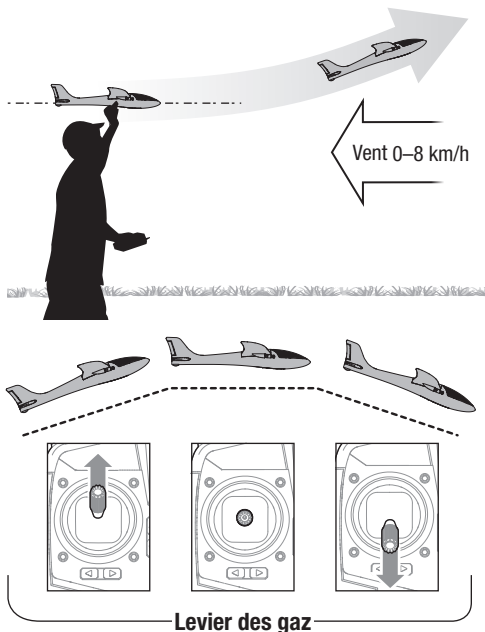


Durant le vol

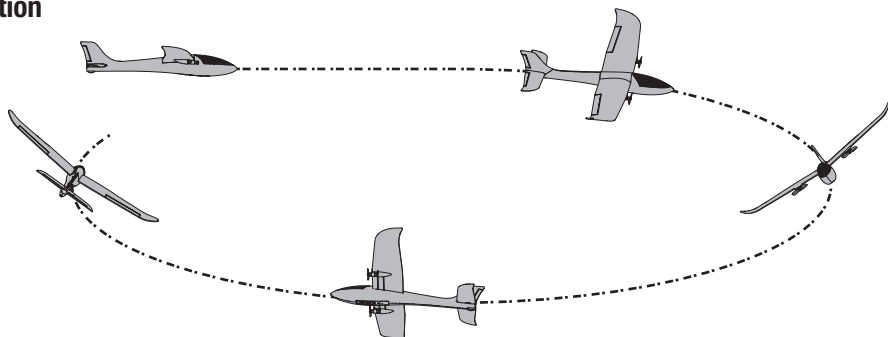
Décollage

Faites-vous aider pour lancer votre aéronef à la main afin que vous puissiez vous concentrer sur le pilotage. Si vous devez lancer l'aéronef à la main vous-même, tenez la maquette dans votre main forte et l'émetteur dans l'autre main.

1. Faites face au vent et allumez les gaz à mi-régime (50 %).
2. Tenez l'avion à l'horizontale et lancez-le droit et horizontal face au vent.
3. L'aéronef montera à plein régime (100 %).
4. Réduisez le régime à 50 % une fois l'avion à une altitude sûre (15 à 25 mètres) pour le stabiliser.
5. Utilisez la commande des gaz pour contrôler l'altitude.



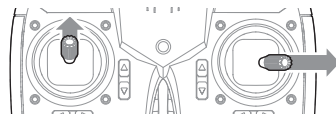
Direction



Pour faire tourner l'aéronef, faites de petits mouvements contrôlés avec le levier de droite.

Pour tourner à droite :

1. Bougez le levier de droite doucement vers la droite.
2. Dès que l'avion commence à tourner, augmentez un peu le régime pour maintenir l'altitude.
3. Faites bouger le levier par petits mouvements pour continuer à tourner à droite.
 - Si le virage est trop large, appuyez plus vos mouvements du levier de droite.
 - Si le virage est trop serré, appuyez moins vos mouvements du levier de droite.
4. Pour arrêter de tourner, relâchez doucement le levier de droite et diminuez le régime pour stabiliser l'appareil.



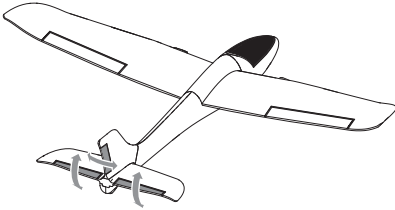
Astuce : Essayez de commencer et de finir le virage à la même altitude.

Pour tourner à gauche, suivez les étapes ci-dessus, en bougeant le levier vers la gauche.

Compensateur de l'aéronef

Si le nez de l'aéronef dérive à gauche ou à droite lorsque le levier de direction est en position neutre (centrée), appuyez sur les boutons du compensateur de direction comme indiqué dans le tableau vers la droite pour corriger la dérive.

L'Ascent MTx peut également être compensé en coulant soigneusement les surfaces de commande moulées dans la queue comme indiqué ci-dessous.



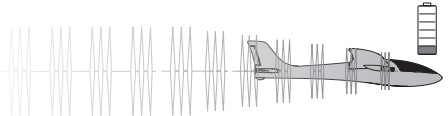
1. Centrez les compensateurs de l'émetteur.
2. Coudez soigneusement la surface de commande dans la direction indiquée dans le tableau de droite.

REMARQUE : Ne faites que de petits ajustements aux surfaces de commande. Évitez les modifications importantes qui peuvent affecter la performance de vol.

Direction de la dérive	Bouton pour corriger
	Levier de droite
	Levier de droite

Direction de la dérive	Direction du coude

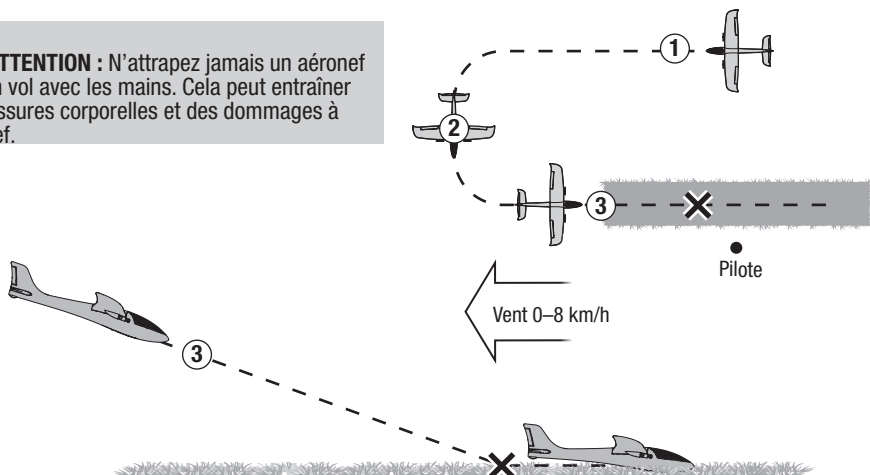
Lorsque vous remarquez une baisse de puissance ou après 10 minutes, posez immédiatement l'aéronef et rechargez la batterie.



Atterrissage

1. Volez dans le sens du vent et réduisez le régime à 25 % pour commencer la descente.
2. Commencez à tourner vers la piste, en allant face au vent.
3. Réduisez le régime à 0 % et descendez sur la piste.
 - Si vous allez vous poser avant la piste, augmentez un peu le régime pour prolonger la descente.
 - Si vous allez trop vite pour atterrir, faites demi-tour et recommencez.

⚠ ATTENTION : N'attrapez jamais un aéronef en plein vol avec les mains. Cela peut entraîner des blessures corporelles et des dommages à l'aéronef.



Vérifications à effectuer après le vol

✓	
	1. Réduisez le régime à 0 %
	2. Débranchez et retirez la batterie de vol
	3. Éteignez l'émetteur
	4. Rechargez entièrement la batterie de vol

✓	
	5. Une fois la charge terminée, retirez la batterie et rangez-la en lieu sûr
	6. Inspectez le fuselage et effectuez les réparations le cas échéant
	7. Rangez dans l'emballage d'origine

NOTICE: When you are finished flying, never leave the aircraft in direct sunlight or in a hot, enclosed area such as a car. Doing so can damage the foam.

NOTICE: Always disconnect the battery from the aircraft before powering off the transmitter or injury and damage may result.

Réparations

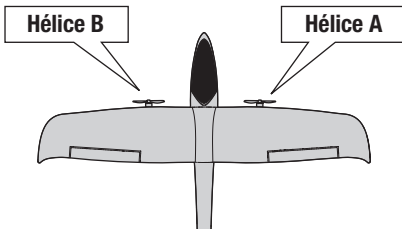
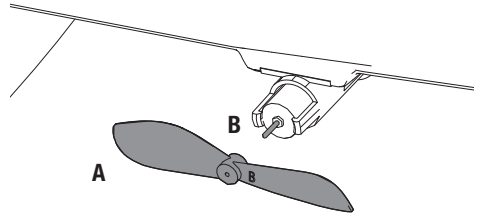
La mousse peut être réparée avec presque tous les produits adhésifs (colle chaude, colle de cyanoacrylate ordinaire, époxy ou ruban).

1. Pour les petites fissures, utilisez une colle de cyanoacrylate pour colmater le trou
2. Lorsque les pièces ne sont pas réparables, consultez la liste des références des pièces de rechange pour passer vos commandes. Afin d'obtenir la liste complète des pièces de rechange et pièces vendues en option, veuillez consulter la liste au dos de ce manuel.

Entretien des hélices

1. Retirez l'hélice (A) de l'arbre du moteur (B).
2. Alignez soigneusement la nouvelle hélice sur l'arbre du moteur et appuyez fermement pour la mettre en place.

IMPORTANT : Les hélices doivent être installées avec l'hélice marquée d'un A à droite et celle marquée d'un B à gauche. Voir l'illustration ci-dessous.



Affectation

Si votre aéronef ne répond pas à l'émetteur alors que la batterie de l'aéronef et les piles de l'émetteur sont entièrement chargées, affectez votre aéronef et votre émetteur à l'aide des consignes ci-dessous.

1. Éteignez l'aéronef en commençant par débrancher la batterie de vol de l'aéronef puis en éteignant l'émetteur.
2. Assurez-vous que les commandes de l'émetteur sont en position neutre, et la commande des gaz est en position éteinte (0 %).
3. Allumez l'émetteur. La DEL rouge commence à clignoter, indiquant que l'émetteur est en mode d'affectation.
4. Raccordez la batterie de vol à l'aéronef et mettez l'interrupteur en position de marche.
5. Maintenez l'émetteur à plus de 60 cm de distance de l'aéronef. Restez à l'écart des grands objets métalliques, des sources sans fil et des autres émetteurs.
6. Bougez le levier des gaz de la position éteinte (0 %) à plein régime (100 %) et revenez en position éteinte. La DEL rouge clignotante passera au rouge fixe une fois l'affectation terminée.
7. Une fois l'affectation terminée, vous pourrez contrôler les moteurs avec le levier des gaz et le levier de direction.

Guide de dépannage

Problème	Cause possible	Solution
L'aéronef ne répond pas à l'émetteur	Pas de connexion	Suivez les consignes d'affectation. Suivez les consignes « Installation de la batterie de vol ». Remplacez ou rechargez la batterie et les piles
	L'émetteur est trop proche de l'aéronef ou les deux sont trop proches d'un grand objet métallique, d'une source sans fil ou d'un autre émetteur lors du raccord de la batterie ou de l'affectation	Déplacez-vous, tout en maintenant l'émetteur à plus de 60 cm de l'aéronef et retentez le processus de raccordement de la batterie ou d'affectation
	Alimentation faible ou inexistante	Remplacez ou rechargez la batterie et les piles et raccordez correctement la batterie de l'aéronef
Mauvaise réponse de l'aéronef à l'émetteur	Mauvaise connexion radio	Remplacez ou rechargez les piles
	Mauvais réglage des commandes ou aéronef endommagé	Ajustez la direction en utilisant les boutons de compensateur gauche ou droite ou atterrissez immédiatement et ajustez, réparez ou remplacez les pièces
L'aéronef tourne dans une direction	Mauvais réglage des commandes ou aéronef endommagé	Ajustez la direction en utilisant les boutons de compensateur gauche ou droite ou atterrissez immédiatement et ajustez, réparez ou remplacez les pièces
	Vent en rafales ou trop fort	Attendez un jour plus calme pour voler
L'aéronef monte brusquement à mi-régime	Mauvais réglage des commandes ou aéronef endommagé	Utilisez moins de régime pour voler sans monter
	La profondeur est compensée pour monter	Pliez légèrement la profondeur vers le bas
	La batterie de l'aéronef est mal installée	Réinstallez entièrement la batterie de l'aéronef
	Vent en rafales ou trop fort	Attendez un jour plus calme pour voler
L'aéronef ne monte pas	Mauvais réglage des commandes ou aéronef endommagé	Augmentez le régime pour faire voler l'aéronef plus vite et le faire monter
	La profondeur est compensée pour descendre	Pliez légèrement la profondeur vers le haut
	Les hélices ou les casseroles sont desserrées ou endommagées	Atterrissez immédiatement et ajustez, réparez ou remplacez les pièces
	Alimentation faible ou inexistante	Remplacez ou rechargez les piles
L'aéronef est difficile à lancer dans le vent	Vent en rafales ou latéral	Lancez directement face au vent
	La vitesse du vent est trop élevée pour voler en toute sécurité	Attendez un jour plus calme pour voler
Le temps de vol est trop court	La batterie n'est pas entièrement chargée ou est endommagée	Rechargez ou remplacez la batterie
	Les hélices sont desserrées ou endommagées	Atterrissez immédiatement et ajustez, réparez ou remplacez les pièces
	Vous volez à plein régime tout le long du vol	Volez à juste un peu plus du mi-régime pour augmenter le temps de vol
	La vitesse du vent est trop élevée pour voler en toute sécurité	Attendez un jour plus calme pour voler
L'aéronef vibre	Les hélices ou les casseroles sont desserrées ou endommagées	Atterrissez immédiatement et ajustez, réparez ou remplacez les pièces

FR GARANTIE LIMITÉE

Ce que couvre cette garantie

Horizon Hobby, LLC, (Horizon) garantit à l'acheteur original que le produit acheté (le « Produit ») est exempt de tout défaut matériel et de fabrication à la date d'achat.

Ce qui n'est pas couvert par cette garantie

La présente garantie n'est pas transférables et ne couvre pas (i) les dommages superficiels, (ii) les dommages dus à des cas de force majeure, un accident, un mauvais usage, un usage abusif, de la négligence, un usage commercial ou à une utilisation, une installation, une manipulation ou un entretien inadéquats, (iii) les modifications apportées au Produit ou à une partie de celui-ci, (iv) les tentatives d'entretien non effectuées dans un centre de réparations Horizon Hobby agréé, (v) les Produits non achetés chez un distributeur Horizon agréé, (vi) les Produits non conformes aux réglementations techniques en vigueur ou (vii) les utilisations du Produit enfreignant la législation et les réglementations en vigueur.

HORIZON N'OFFRE AUCUNE AUTRE GARANTIE OU ASSERTION QUE LA PRÉSENTE GARANTIE EXPRESSE ET DÉCLINE TOUTES LES GARANTIES IMPLICITES Y COMPRIS, SANS RESTRICTION, LES GARANTIES IMPLICITES DE NON-CONTREFAÇON, D'APTITUDE À LA VENTE ET D'ADÉQUATION À UNE FIN PARTICULIÈRE. IL EST DE LA SEULE RESPONSABILITÉ DE L'ACHETEUR DE VÉRIFIER SI LE PRODUIT CORRESPOND À SES CAPACITÉS ET À L'UTILISATION PRÉVUE.

Recours de l'acheteur

La seule obligation d'Horizon et le seul et unique recours de l'acheteur consistent en (i) la réparation ou (ii) le remplacement de tout Produit qu'Horizon juge défectueux, à sa discrétion. Horizon se réserve le droit d'inspecter tout Produit faisant l'objet d'une demande de service sous garantie. Les décisions en matière de réparation ou de remplacement sont à l'entière discrétion d'Horizon. Une preuve d'achat est exigée pour toute demande de service sous garantie. EN VERTU DE CETTE GARANTIE, LA RÉPARATION ET LE REMPLACEMENT DU PRODUIT SONT LES SEULS ET UNIQUES RECOURS DE L'ACHETEUR.

Limitation de responsabilité

HORIZON NE SERA PAS TENUE RESPONSABLE DES DOMMAGES SPÉCIAUX, INDIRECTS, ACCIDENTELS OU CONSÉCUTIFS, DE LA DIMINUTION DES BÉNÉFICES, DE LA BAISSÉ DE LA PRODUCTION OU DES PERTES COMMERCIALES, MÊME SI CETTE RÉCLAMATION EST ADRESSÉE AU TITRE D'UN CONTRAT, D'UNE GARANTIE, D'UNE FAUTE, D'UNE NÉGLIGENCE, D'UNE STRICTE RESPONSABILITÉ OU TOUTE AUTRE THÉORIE DE RESPONSABILITÉ, MÊME SI HORIZON A ÉTÉ INFORMÉE DE LA POSSIBILITÉ DE TELS DOMMAGES. Par ailleurs, Horizon n'acceptera pas de recours issus d'un cas de garantie lorsque ces recours dépassent la valeur unitaire du Produit. Horizon n'exerce aucun contrôle sur l'utilisation, l'installation, le montage final, la modification ou la mauvaise utilisation du Produit et ne saurait être tenue responsable pour tout préjudice ou dommage en résultant. L'utilisateur accepte toute responsabilité résultant de l'utilisation, de l'installation ou de l'assemblage du produit. Si vous n'êtes

pas prêt, en tant qu'acheteur ou utilisateur, à accepter ces responsabilités en relation avec l'utilisation du Produit, nous vous demandons de restituer au vendeur le Produit, non utilisé et dans son emballage d'origine.

Droit applicable

Les présentes conditions d'utilisation sont soumises au droit de l'Illinois, États-Unis (sans égard aux principes des conflits de lois). Cette garantie vous donne des droits spéciaux, et vous pouvez également avoir d'autres droits, qui varient en fonction des États. Horizon se réserve le droit de modifier la présente garantie à tout moment et sans préavis.

SERVICE APRÈS-VENTE

Questions, assistance et services

Votre revendeur spécialisé local et le point de vente ne peuvent vous fournir un service de garantie ou une assistance. Une fois que vous avez commencé à assembler, monter ou utiliser le Produit, vous devez directement contacter votre distributeur local ou Horizon. Cela permettra à Horizon de mieux répondre à vos questions et de vous offrir ses services dans le cas où vous auriez besoin d'une assistance. Si vous avez des questions ou avez besoin d'une assistance, veuillez vous rendre sur notre site Internet www.horizonhobby.com et remplir un formulaire de demande d'assistance ou appeler le numéro de téléphone gratuit indiqué dans la section sur les informations de contact concernant la garantie et le service après-vente pour parler avec un représentant du service après-vente.

Inspections ou réparations

Si le Produit a besoin d'être inspecté ou réparé et est légal dans le pays où vous habitez et l'utilisez, veuillez suivre la procédure d'envoi de demande de réparation en ligne d'Horizon disponible sur notre site Internet ou appeler Horizon pour obtenir un numéro d'autorisation de retour de marchandise (NAR). Emballez le Produit soigneusement dans un carton d'expédition. Veuillez noter que le Produit peut être fourni avec un carton d'emballage, mais que celui-ci n'est pas conçu pour résister aux conditions d'envoi sans protection supplémentaire. Pour envoyer le colis, faites appel aux services d'un transporteur garantissant un suivi et une assurance contre la perte ou les dommages pouvant survenir pendant le transport. Horizon ne sera tenue responsable de la marchandise que lorsque celle-ci nous sera livrée et sera acceptée dans nos locaux. Un formulaire de demande de réparation en ligne est disponible sur http://www.horizonhobby.com/content/_service-center_render-service-center. Si vous n'avez pas accès à Internet, veuillez contacter le service après-vente d'Horizon pour obtenir un numéro d'autorisation de retour de marchandise ainsi que des instructions pour envoyer votre produit en réparation. Lorsque vous appelez Horizon, il vous sera demandé de donner votre nom complet, votre adresse postale, votre adresse électronique et un numéro de téléphone auquel vous êtes joignable pendant les heures de bureau. Lorsque vous envoyez un produit à Horizon, veuillez inclure votre numéro d'autorisation de retour de marchandise, une liste des articles envoyés ainsi qu'une brève description du problème. Veuillez également inclure la photocopie d'une facture d'origine pour pouvoir bénéficier de la garantie.

Assurez-vous que votre nom, votre adresse et votre numéro d'autorisation de retour de marchandise sont clairement indiqués sur le carton d'expédition.

AVIS : n'envoyez pas de batteries Li-Po à Horizon. Si vous rencontrez des problèmes avec une batterie Li-Po, veuillez contacter le service après-vente Horizon concerné.

Conditions de garantie

Pour pouvoir bénéficier de la garantie, vous devez inclure la facture originale indiquant une preuve de la date d'achat. Si les conditions de garantie sont respectées, votre Produit sera réparé ou remplacé gratuitement. Les décisions en matière de réparation ou de remplacement sont à l'entière discrétion d'Horizon.

Réparations non couvertes

Horizon effectuera les réparations non couvertes par la garantie et un paiement sera exigé sans préavis ou devis, à moins que les frais dépassent le prix d'achat de 50 %. En envoyant le Produit en réparation, vous acceptez de payer ce service sans recevoir de préavis. Un devis est disponible sur

demande. Vous devez inclure cette demande avec l'article envoyé en réparation. Le devis d'une réparation non couverte par la garantie comprendra la facturation de la main d'œuvre (une demi-heure de travail minimum). Des frais de transport de retour vous seront également facturés. Horizon accepte les mandats et les chèques de banque ainsi que les cartes Visa, MasterCard, American Express et Discover. En envoyant un produit en réparation à Horizon, vous acceptez les conditions générales d'Horizon disponible sur notre site Internet : http://www.horizonhobby.com/content/_service-center_render-service-center.

ATTENTION : les services de réparation d'Horizon sont limités aux Produits conformes dans le pays où ils sont détenus et utilisés. Un Produit reçu non conforme ne sera pas réparé. De plus, l'expéditeur devra, à ses frais, faire appel aux services du transporteur de son choix pour se faire renvoyer le Produit qui n'a pas été réparé. Horizon conservera le Produit non conforme pendant 60 jours à compter de la notification de la décision, puis procédera à sa destruction.

10/15

Coordonnées de service et de garantie

Pays d'achat	Horizon Hobby	Coordonnées	Adresse
United States of America	Horizon Service Center (Repairs and Repair Requests)	servicecenter.horizonhobby.com/RequestForm/	4105 Fieldstone Rd Champaign, Illinois, 61822 USA
	Horizon Product Support (Product Technical Assistance)	productsupport@horizonhobby.com 877-504-0233	
	Sales	websales@horizonhobby.com 800-338-4639	

Information IC

IC: 6157A-RVOF1100

En vertu de la réglementation de l'industrie du Canada, cet émetteur de radio ne peuvent fonctionner en utilisant une antenne d'un type et maximum (ou moins) Gain approuvé pour l'émetteur par Industrie Canada. pour réduire risque d'interférence aux autres utilisateurs, le type d'antenne et son gain doivent être choisis de sorte que la puissance isotrope rayonnée équivalente (PIRE) ne dépasse pas ce qui est nécessaire pour la réussite de communication. Le présent appareil est conforme aux CNR

d'Industrie Canada applicables aux appareils radio exempts de licence. L'exploitation est autorisée aux deux conditions suivantes : (1) l'appareil ne doit pas produire de brouillage, et (2) l'utilisateur de l'appareil doit accepter tout brouillage radioélectrique subi, même si le brouillage est susceptible d'en compromettre le fonctionnement.

Remarque: Toute modification de ce produit annule l'autorité de l'utilisateur à utiliser cet équipement.

Replacement Parts • Pièces de rechange

Part #	Description	Description
RVOF1100	ASCENT MICRO TWIN X RTF	ASCENT MICRO TWIN X RTF
RVOF1101	REPLACEMENT AIRFRAME: ASCENT MTX	FUSELAGE DE RECHANGE : ASCENT MTX
RVOF1102	PROPS (4 PCS): ASCENT MTX	HÉLICES (4 PIÈCES) : ASCENT MTX
RVOF1103	300MAH 1S LI-PO: ASCENT MTX	LITHIUM-POLYMÈRE 300 MAH 1S : ASCENT MTX
RVOF1104	DECAL SHEET: ASCENT MTX	FEUILLE D'AUTOCOLLANTS : ASCENT MTX
RVOF1105	USB 1S LI-PO CHARGER: ASCENT MT	CHARGEUR LITHIUM-POLYMÈRE USB 1S : ASCENT MT
RVOF1106	TRANSMITTER: ASCENT MTX	ÉMETTEUR : ASCENT MTX



REVOLUTION®

RVOF1100

© 2017 Horizon Hobby, LLC.

Revolution, the Revolution logo, and Ascent are trademarks or registered trademarks of Horizon Hobby, LLC.