

Dromida® 1/10 BACKBONE™ 4WD RTR ROCK RACER

Instructions for the Dromida Backbone Rock Racer



Thank you for purchasing the Dromida® 1/10 ROCK RACER 4WD RTR!

NOTICE

All instructions, warranties and other collateral documents are subject to change at the sole discretion of Horizon Hobby, LLC. For up-to-date product literature, visit horizonhobby.com or towerhobbies.com and click on the support or resources tab for this product.

Meaning of Special Language

The following terms are used throughout the product literature to indicate various levels of potential harm when operating this product:

WARNING: Procedures, which if not properly followed, create the probability of property damage, collateral damage, and serious injury OR create a high probability of superficial injury.

CAUTION: Procedures, which if not properly followed, create the probability of physical property damage AND a possibility of serious injury.

NOTICE: Procedures, which if not properly followed, create a possibility of physical property damage AND a little or no possibility of injury.



WARNING: Read the ENTIRE instruction manual to become familiar with the features of the product before operating. Failure to operate the product correctly can result in damage to the product, personal property and cause serious injury.

This is a sophisticated hobby product. It must be operated with caution and common sense and requires some basic mechanical ability. Failure to operate this Product in a safe and responsible manner could result in injury or damage to the product or other property. This product is not intended for use by children without direct adult supervision. Do not attempt disassembly, use with incompatible components or augment product in any way without the approval of Horizon Hobby, LLC. This manual contains instructions for safety, operation and maintenance. It is essential to read and follow all the instructions and warnings in the manual, prior to assembly, setup or use, in order to operate correctly and avoid damage or serious injury.

Age Recommendation: Not for children under 14 years. This is not a toy.

SAFETY PRECAUTIONS AND WARNINGS

As the user of this product, you are solely responsible for operating in a manner that does not endanger yourself and others or result in damage to the product or property of others.

This model is controlled by a radio signal subject to interference from many sources outside your control. This interference can cause momentary loss of control, so it is advisable to always keep a safe distance in all directions around your model as this margin will help avoid collisions or injury.

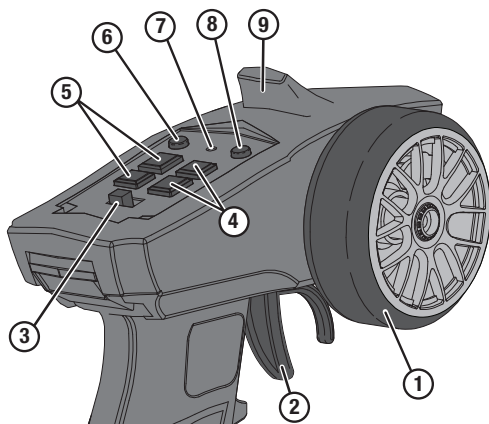
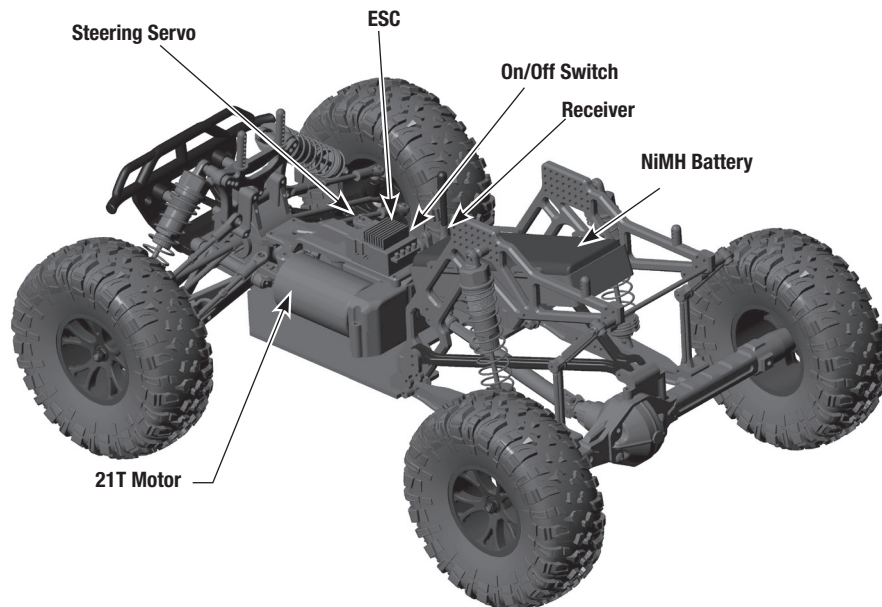
- Never operate your model with low transmitter batteries.
- Always operate your model in open spaces away from full-size vehicles, traffic and people.
- Never operate the model in the street or in populated areas for any reason.
- Carefully follow the directions and warnings for this and any optional support equipment (chargers, rechargeable battery packs, etc.) you use.
- Keep all chemicals, small parts and anything electrical out of the reach of children.
- Never lick or place any portion of the model in your mouth as it could cause serious injury or even death.
- Exercise caution when using tools and sharp instruments.
- Take care during maintenance as some parts may have sharp edges.
- Immediately after using your model, do NOT touch equipment such as the motor, electronic speed control and battery, because they generate high temperatures. You may burn yourself seriously touching them.
- Do not put fingers or any objects inside rotating and moving parts, as this may cause damage or serious injury.
- Always turn on your transmitter before you turn on the receiver in the car.
- Always turn off the receiver before turning your transmitter off.
- Keep the wheels of the model off the ground when checking the operation of the radio equipment.

NIMH CHARGING WARNINGS

WARNING: Failure to exercise caution while using this product and comply with the following warnings could result in product malfunction, electrical issues, excessive heat, FIRE, and ultimately injury and property damage.

- NEVER CHARGE BATTERIES OVERNIGHT.
- NEVER LEAVE CHARGING BATTERIES UNATTENDED.
- Read all safety precautions and literature prior to use of this product.
- Never allow children under 14 years of age to charge battery packs.
- Never attempt to charge dead or damaged batteries.
- Never charge a battery if the cable has been pinched or shorted.
- Never allow batteries or charger to come into contact with moisture at any time.
- Never charge batteries in extremely hot or cold places (recommended between 50–80°F (10–26°C)) or place in direct sunlight.
- Always use only Ni-MH rechargeable batteries. This charger cannot charge batteries such as “heavy duty,” “alkaline battery,” “lithium,” or “mercury battery.”
- Always connect to the charger correctly.
- Always disconnect the battery and charger after charging and let them cool between charges.
- Always inspect the battery before charging.
- Always terminate all processes and contact Horizon Hobby if the product malfunctions.
- Always make sure you know the specifications of the battery to be charged or discharged to ensure it meets the requirements of this charger.
- Always constantly monitor the temperature of the battery pack while charging.
- Always end the charging process if the charger or battery becomes hot to the touch or starts to change form during the charge process.

VEHICLE AND RADIO PARTS



1. **Steering Wheel** Controls direction (left/right) of the model
2. **Throttle Trigger** Controls speed and direction (forward/brake/reverse) of the model
3. **On/Off Switch** Turns the power on/off
4. **TH Trim** Adjusts the throttle trim/dual rates
5. **ST Trim** Adjusts the steering trim/dual rates
6. **CH 3**
7. **Indicator Lights**
Solid Blue Light—Indicates radio connectivity and adequate battery power
Flashing Blue Light—Indicates the battery voltage is critically low. Replace batteries
8. **REV** Reverses the steering wheel and throttle functions
9. **Antenna** Transmits the signal to the model

BATTERIES

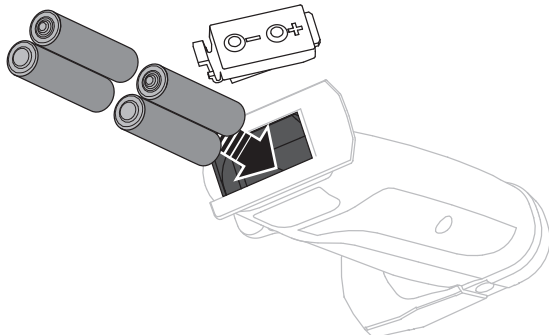
Radio

This transmitter requires 4 AAA batteries.

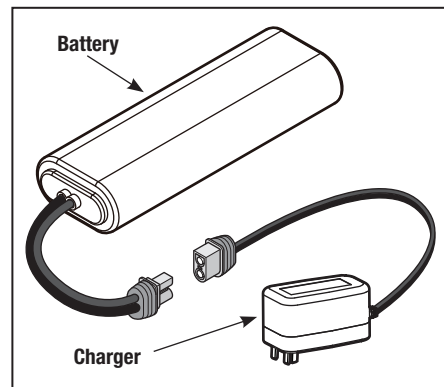
1. Remove the battery cover from the transmitter.
2. Install the batteries as shown.
3. Install the battery cover.

CAUTION: If using rechargeable batteries, charge only rechargeable batteries. Charging non-rechargeable batteries may cause the batteries to burst, resulting in injury to persons and/or damage to property.

CAUTION: Risk of explosion if battery is replaced with an incorrect type. Dispose of used batteries according to national regulations.



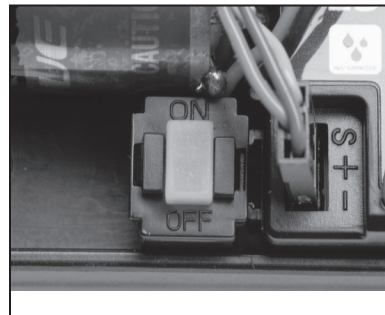
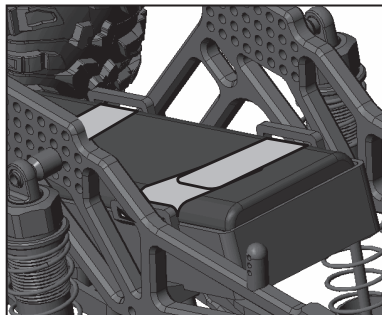
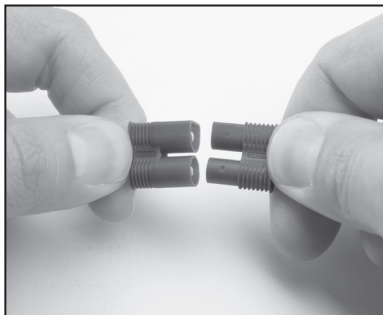
Vehicle



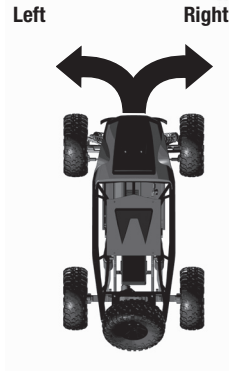
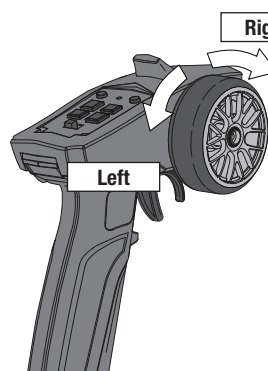
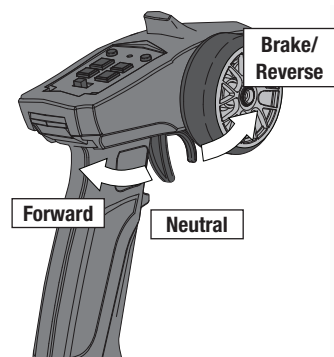
1. Switch off the vehicle and remove the battery.
2. Carefully connect the battery to the charger.
3. Plug the charger into an AC wall outlet.
4. The charging process takes approximately 2 hours. Unplug the battery when charge is complete.

WARNING: Never leave charging batteries unattended. Only use the included NiMH charger to charge the included NiMH battery. Never charge a LiPo battery with a NiMH charger.

DRIVING THE VEHICLE



1. Install the battery into the vehicle and connect the battery.
2. Secure the battery straps to the post using clips.
3. Switch the radio on.
4. Switch the vehicle on.



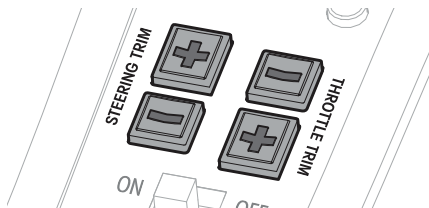
- To slowly drive forward, pull the trigger slightly. To drive faster, pull the trigger further.
- To brake, push the trigger. To drive in reverse, push again.
- During a crash, release the trigger.
- To turn, rotate the wheel to the left or right.
- Adjust the steering trim if the car doesn't track straight (see below).
- When the vehicle battery becomes low, the vehicle will start to slow down.
- Allow the battery to cool before recharging.
- Make sure to turn both the vehicle and the radio off after each use.
- ALWAYS unplug the battery after each use.

DUAL RATES

The transmitter allows you to adjust steering and throttle dual rates.

Steering Dual Rate

1. Power ON the transmitter.
2. Power ON the model.
3. Apply either the left or right steering input on the transmitter and hold that position.
4. To add or remove steering throw input, continue to hold steering input while adjusting the dual rate using the (+) or (-) ST button.



Throttle Dual Rate

5. Turn ON the transmitter.
6. Turn ON the model.
7. Apply either forward or reverse throttle input on the transmitter and hold that position.
8. To add or remove throttle input, continue to hold throttle input while adjusting the dual rate using the (+) or (-) TH button.

NOTICE: Do not adjust the throttle dual rate while the model is powered on and resting on a stand. Adjusting the throttle dual rate may power the motor, which could cause damage to property or personal injury.

DRIVING TIPS

- Always release the throttle trigger right away following a crash to prevent damaging the electronics.
- The vehicle should be operated in an open space with no people or animals nearby.

BINDING PROCEDURE

Binding is the process of programming the receiver to recognize the GUID (Globally Unique Identifier) code of a single specific transmitter. The transmitter and receiver are bound at the factory. If you need to rebind, follow the instructions below:

1. Connect a fully charged battery to the ESC.
2. Power on the ESC
3. Press the bind button on the receiver. The red LED will flash, indicating the receiver is in bind mode.
4. Power ON the transmitter. The receiver's red LED will turn solid when the bind is successful.
5. Power OFF the /ESC to save the settings.
6. Power OFF the transmitter.
7. You must rebind when binding the receiver to a different transmitter.

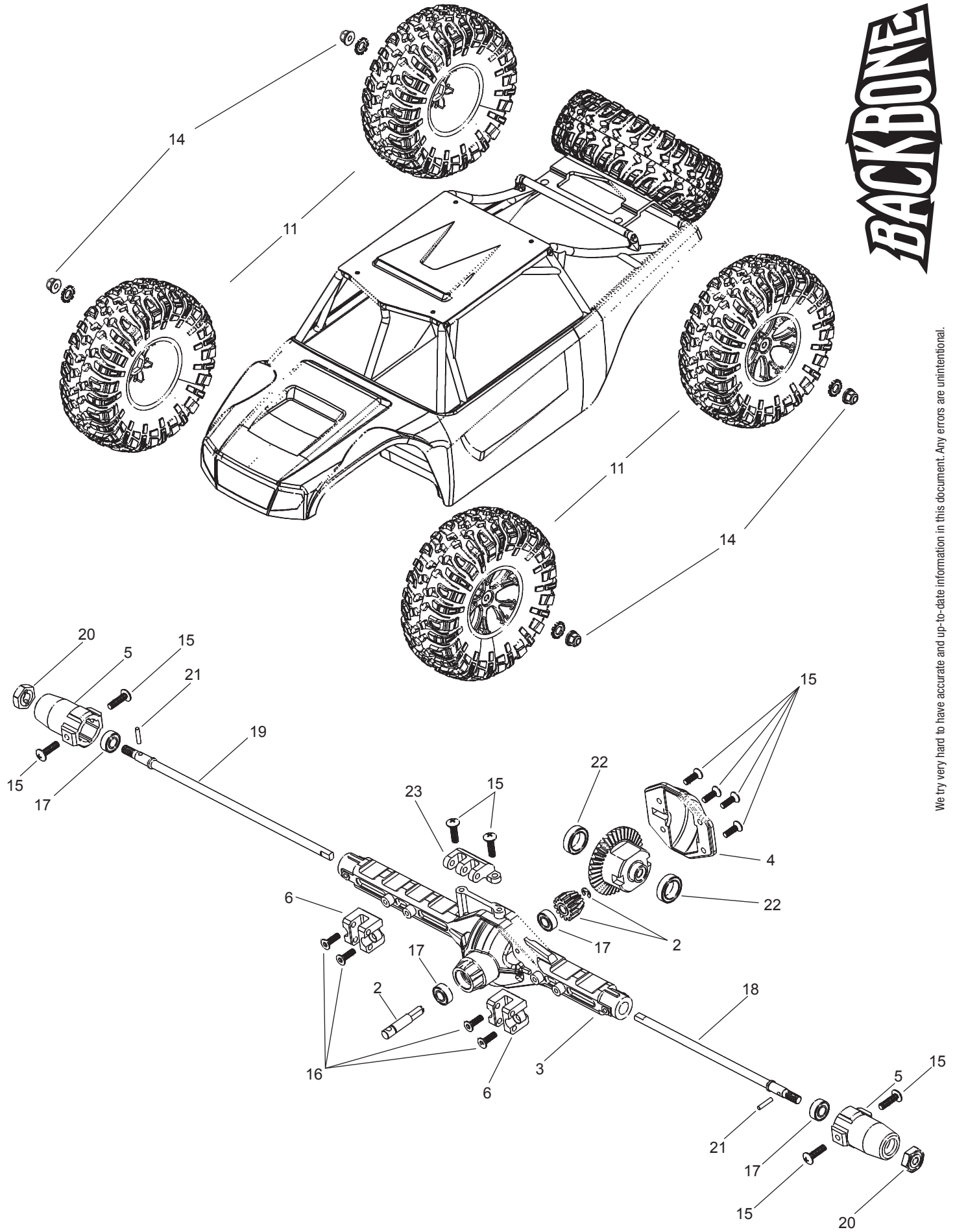
NOTICE: Do not attempt to bind the transmitter and receiver if there are other compatible transmitters in bind mode within 400 feet. Doing so may result in unexpected binding.

BACKBONE

This parts list shows the key number, part description, and stock number for the replacement parts sets. When more than one stock number is listed, that part is available in multiple replacement parts sets.

#	Item Description	Part Number
1	Diff Gear Box (1): Backbone	DIDC0795
2	Diff Drive Spur Gear(2):Backbone	DIDC0811
3	Rear Axle Housing:Backbone.....	DIDC0877
4	Rear Axle Cover:Backbone.....	DIDC0878
5	Axle Adaptor (2):Backbone.....	DIDC0879
6	RR HLDR RR SHK SPRT (2):Backbone	DIDC0880
7	Rear Shock Spring (2):Backbone	DIDC0881
8	Rear Link Set (2):Backbone	DIDC0882
9	Upper Plate:Backbone	DIDC0883
10	Rear CNTR CVD FR Half:Backbone	DIDC0902
11	Preassembled Tires(2):Backbone	DIDC0904
12	Rear Diff Shaft:Backbone	DIDC0907
12	R SHCK Shaft & Piston STS:Backbone.....	DIDC0909
14	Black Flanged Locknut, M4 x 0.7mm (4) TLR236009	
15	Button Head Screws, M3 x 8mm (10)	TLR5902
16	Flathead Screws, M3 x 10mm (10)	TLR5962
17	5x11x4mm Bearing (2)	AXIC0221
18	Rear Drive Shaft Short: Backbone.....	DIDC0886
19	Rear Drive Shaft Long: Backbone.....	DIDC0887
20	Wheel Hub Hexes (4): Backbone.....	DIDC0828
21	PIN 10X2 (6): Backbone	DIDC0843
22	10 x 15 x 4mm Bearing (4)	LOS237001
23	Rear Link Holder: Backbone	DIDC0873

BACKBONE



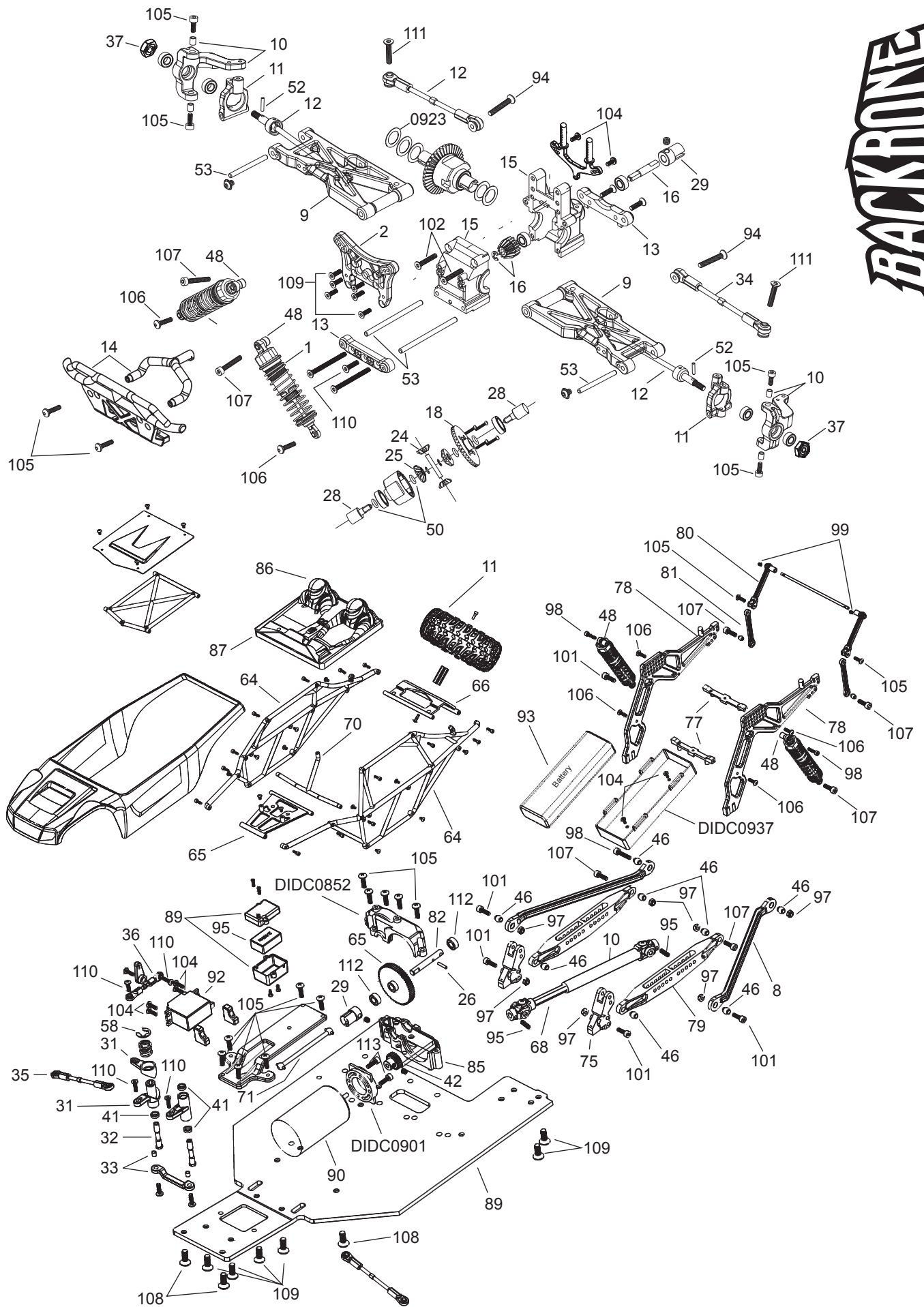
We try very hard to have accurate and up-to-date information in this document. Any errors are unintentional.



This parts list shows the key number, part description, and stock number for the replacement parts sets. When more than one stock number is listed, that part is available in multiple replacement parts sets.

#	Item Description	Part Number	#	Item Description	Part Number
1	Rear Shock Tower (2): Backbone	DIDC0796	67	Rear Link Holder: Backbone	DIDC0873
2	Front Shock Tower: Backbone	DIDC0797	68	RR Central CVD RR Half: Backbone	DIDC0874
9	FR Lower Susp Arm St(2): Backbone	DIDC0804	69	Spare Wheel Support: Backbone	DIDC0875
10	Steer Knuckle ArmSts(2): Backbone	DIDC0805	70	Roll Cage Window Frame: Backbone	DIDC0876
11	Uprights (2):Backbone	DIDC0806	71	FR CNTR Drive Shaft: Backbone	DIDC0884
12	Front CVD (2): Backbone	DIDC0807	72	RX Cover: Backbone	DIDC0885
13	Front Susp Holder (2): Backbone	DIDC0808	73	FR HLDR RR SHK SPRT (2): Backbone	DIDC0888
14	Bumper Set: Backbone	DIDC0809	74	Sway Bar: Backbone	DIDC0889
15	Gearbox Housing Set(2): Backbone	DIDC0810	75	Battery Case Holder (2): Backbone	DIDC0890
16	Diff Drive Spur Gear(2):Backbone	DIDC0811	76	Main Frame(2): Backbone	DIDC0891
17	Differential Case (2): Backbone	DIDC0812	77	RR SHKS Low SPT Rod(2): Backbone	DIDC0892
18	Diff Drive Spur Gear(2):Backbone	DIDC0813	78	Sway Bar Pull Rod Upper: Backbone	DIDC0894
19	Diff Drive Gear (2): Backbone	DIDC0814	79	Sway Bar Pull Rod Lower: Backbone	DIDC0895
24	Diff Bevel Gear S. (4): Backbone	DIDC0815	80	Central Drive Shaft: Backbone	DIDC0897
25	Diff Bevel Gear B (4): Backbone	DIDC0816	81	Motor Mount For 17T: Backbone	DIDC0898
26	Diff Pin(2): Backbone	DIDC0817	82	CNTR Trans Cover Upper: Backbone	DIDC0899
27	Washer (6): Backbone	DIDC0818	83	CNTR Trans Cover Lower: Backbone	DIDC0900
28	Diff Drive Cups: Backbone	DIDC0819	84	Driver Helmet (2): Backbone	DIDC0905
29	Center Coupler (3): Backbone	DIDC0820	85	DRVR Blister ST W/Decal: Backbone	DIDC0906
30	Body Post (2): Backbone	DIDC0821	86	Battery Strap (2):Backbone	DIDC0938
31	Servo Saver Set: Backbone	DIDC0822	87	Chassis, Aluminum: Backbone	DIDC0950
32	Servo Saver Post (2): Backbone	DIDC0823	88	Motor Rock Rider, 21T:Backbone	DIDC1083
33	Steering Ackerman: Backbone	DIDC0824	89	62T Steel Spur Gear:Backbone	DIDC1287
34	FR Upper Susp Arms (2): Backbone	DIDC0825	90	3kg Servo: Backbone	DIDC1288
35	Steering Arm (2): Backbone	DIDC0826	91	7.2V 1800MAH 6CNiMH Flat EC3	DYNB2050EC
36	Servo Linkage: Backbone	DIDC0827	92	3Ch 2.4Ghz Surface Tx	HRZ00001
37	Wheel Hub Hexes (4): Backbone	DIDC0828	93	2.4Ghz Receiver WP 3-Channel	HRZ00006
40	Metal Bushing 15X10X4 (6): Backbone	DIDC0831	94	M3 x 14mm Flat Head Screw (10)	AXI235178
41	Metal Bushing 8X5X2.5 (6): Backbone	DIDC0832	95	Set Screw M3x10mm (10)	AXIC0184
42	M0.6 Pinion Gear 17T: Backbone	DIDC0833	96	5x11x4mm Bearing (2)	AXIC0221
43	Shock Ball end (6): Backbone	DIDC0834	97	Nylong Locking Hex Nut M3 Black (10)	AXIC1053
44	Servo Link Ball END(6): Backbone	DIDC0835	98	Cap Head Screws, M3 x 30mm (10)	LOS235004
45	Steer Link Ball L End(6): Backbone	DIDC0836	99	Set Screw M3 x 3MM (10)	LOS235018
46	Ball A (6): Backbone	DIDC0837	100	10 x 15 x 4mm Bearing (4)	LOS237001
47	Ball B (6): Backbone	DIDC0838	101	Cap Head Screws, M3 x 16mm (10)	LOS255009
48	Ball C (6): Backbone	DIDC0839	102	Flat Head Screws, M3 x 18mm (10)	TLR235005
49	Shock O-ring Lower (6): Backbone	DIDC0840	103	Black Flanged Locknut, M4 x 0.7mm (4)	TLR236009
50	Diff O-ring Seal (6): Backbone	DIDC0841	104	Button Head Screws, M3 x 8mm (10)	TLR5902
51	Shock Seal Cover (4): Backbone	DIDC0842	105	Button Head Screws, M3 x 10mm (10)	TLR5903
52	PIN 10X2 (6): Backbone	DIDC0843	106	Button Head Screws, M3 x 12mm (10)	TLR5904
53	Hinge Pins (2): Backbone	DIDC0844	107	Button Head Screws, M3 x 20mm (10)	TLR5911
55	Metal Bushing 10X5X4 (6): Backbone	DIDC0845	108	Flathead Screws, M3 x 8mm (10)	TLR5961
56	Bearings 8X5X2.5 (6): Backbone	DIDC0846	109	Flathead Screws, M3 x 10mm (10)	TLR5962
58	E CLIP (4): Backbone	DIDC0847	110	Flathead Screws, M3 x 12mm (10)	TLR5963
59	E CLIP (6): Backbone	DIDC0848	111	Flathead Screws, M3 x 16mm (10)	TLR5964
60	M2x 10 STP Hex Screw (6): Backbone	DIDC0849	112	5x10x4mm Bearing (2)	AXIC0218
61	M3x6 RND STP Hex Screw(6): Backbone	DIDC0850	113	Cap Head Screws, M3 x 10mm (10)	TLR5910
62	M3x6 Ring STP Screw (6): Backbone	DIDC0866	114	Fr. Shock Complete (2): Backbone	DIDC0794
62	M3x6 Ring STP Screw (6): Backbone	DIDC0866			
63	Roll Cage Top Frame: Backbone	DIDC0869			
64	Roll Cage Side Frame(2): Backbone	DIDC0870,			
65	Roll Cage Front: Backbone	DIDC0871			
66	Roll Cage Rear Plate: Backbone	DIDC0872			

BACKBONE



We try very hard to have accurate and up-to-date information in this document. Any errors are unintentional.

WARRANTY

What this Warranty Covers—Horizon Hobby, LLC, (Horizon) warrants to the original purchaser that the product purchased (the "Product") will be free from defects in materials and workmanship at date of purchase.

What is Not Covered—This warranty is not transferable and does not cover (i) cosmetic damage, (ii) damage due to acts of God, accident, misuse, abuse, negligence, commercial use, or due to improper use, installation, operation or maintenance, (iii) modification of or to any part of the Product, (iv) attempted service by anyone other than a Horizon Hobby authorized service center, (v) Product not purchased from an authorized Horizon dealer, or (vi) Product not compliant with applicable technical regulations or (vii) use that violates any applicable laws, rules, or regulations.

OTHER THAN THE EXPRESS WARRANTY ABOVE, HORIZON MAKES NO OTHER WARRANTY OR REPRESENTATION, AND HEREBY DISCLAIMS ANY AND ALL IMPLIED WARRANTIES, INCLUDING, WITHOUT LIMITATION, THE IMPLIED WARRANTIES OF NON-INFRINGEMENT, MERCHANTABILITY AND FITNESS FOR A PARTICULAR PURPOSE. THE PURCHASER ACKNOWLEDGES THAT THEY ALONE HAVE DETERMINED THAT THE PRODUCT WILL SUITABLY MEET THE REQUIREMENTS OF THE PURCHASER'S INTENDED USE.

Purchaser's Remedy—Horizon's sole obligation and purchaser's sole and exclusive remedy shall be that Horizon will, at its option, either (i) service, or (ii) replace, any Product determined by Horizon to be defective. Horizon reserves the right to inspect any and all Product(s) involved in a warranty claim. Service or replacement decisions are at the sole discretion of Horizon. Proof of purchase is required for all warranty claims. SERVICE OR REPLACEMENT AS PROVIDED UNDER THIS WARRANTY IS THE PURCHASER'S SOLE AND EXCLUSIVE REMEDY.

Limitation of Liability—HORIZON SHALL NOT BE LIABLE FOR SPECIAL, INDIRECT, INCIDENTAL OR CONSEQUENTIAL DAMAGES, LOSS OF PROFITS OR PRODUCTION OR COMMERCIAL LOSS IN ANY WAY, REGARDLESS OF WHETHER SUCH CLAIM IS BASED IN CONTRACT, WARRANTY, TORT, NEGLIGENCE, STRICT LIABILITY OR ANY OTHER THEORY OF LIABILITY, EVEN IF HORIZON HAS BEEN ADVISED OF THE POSSIBILITY OF SUCH DAMAGES. Further, in no event shall the liability of Horizon exceed the individual price of the Product on which liability is asserted. As Horizon has no control over use, setup, final assembly, modification or misuse, no liability shall be assumed nor accepted for any resulting damage or injury. By the act of use, setup or assembly, the user accepts all resulting liability. If you as the purchaser or user are not prepared to accept the liability associated with the use of the Product, purchaser is advised to return the Product immediately in new and unused condition to the place of purchase.

Law—These terms are governed by Illinois law (without regard to conflict of law principals). This warranty gives you specific legal rights, and you may also have other rights which vary from state to state. Horizon reserves the right to change or modify this warranty at any time without notice.

WARRANTY SERVICES

Questions, Assistance, and Services—Your local hobby store and/or place of purchase cannot provide warranty support or service. Once assembly, setup or use of the Product has been started, you must contact your local distributor or Horizon directly. This will enable Horizon to better answer your questions and service you in the event that you may need any assistance. For questions or assistance, please visit our website at www.horizonhobby.com, submit a

Product Support Inquiry, or call the toll free telephone number referenced in the Warranty and Service Contact Information section to speak with a Product Support representative.

Inspection or Services—If this Product needs to be inspected or serviced and is compliant in the country you live and use the Product in, please use the Horizon Online Service Request submission process found on our website or call Horizon to obtain a Return Merchandise Authorization (RMA) number. Pack the Product securely using a shipping carton. Please note that original boxes may be included, but are not designed to withstand the rigors of shipping without additional protection. Ship via a carrier that provides tracking and insurance for lost or damaged parcels, as Horizon is not responsible for merchandise until it arrives and is accepted at our facility. An Online Service Request is available at http://www.horizonhobby.com/content/service-center_render-service-center. If you do not have internet access, please contact Horizon Product Support to obtain a RMA number along with instructions for submitting your product for service. When calling Horizon, you will be asked to provide your complete name, street address, email address and phone number where you can be reached during business hours. When sending product into Horizon, please include your RMA number, a list of the included items, and a brief summary of the problem. A copy of your original sales receipt must be included for warranty consideration. Be sure your name, address, and RMA number are clearly written on the outside of the shipping carton.

NOTICE: Do not ship Li-Po batteries to Horizon. If you have any issue with a Li-Po battery, please contact the appropriate Horizon Product Support office.

Warranty Requirements—For Warranty consideration, you must include your original sales receipt verifying the proof-of-purchase date. Provided warranty conditions have been met, your Product will be serviced or replaced free of charge. Service or replacement decisions are at the sole discretion of Horizon.

Non-Warranty Service—Should your service not be covered by warranty, service will be completed and payment will be required without notification or estimate of the expense unless the expense exceeds 50% of the retail purchase cost. By submitting the item for service you are agreeing to payment of the service without notification. Service estimates are available upon request. You must include this request with your item submitted for service. Non-warranty service estimates will be billed a minimum of ½ hour of labor. In addition you will be billed for return freight. Horizon accepts money orders and cashier's checks, as well as Visa, MasterCard, American Express, and Discover cards. By submitting any item to Horizon for service, you are agreeing to Horizon's Terms and Conditions found on our website http://www.horizonhobby.com/content/service-center_render-service-center.

ATTENTION: Horizon service is limited to Product compliant in the country of use and ownership. If received, a non-compliant Product will not be serviced. Further, the sender will be responsible for arranging return shipment of the un-serviced Product, through a carrier of the sender's choice and at the sender's expense. Horizon will hold non-compliant Product for a period of 60 days from notification, after which it will be discarded.

10/15

FCC INFORMATION

FCC ID: 2ARE7-91803

Supplier's Declaration of Conformity

Dromida 1/10 Backbone Rock Racer RTR (DIDC03000)

FC This device complies with part 15 of the FCC Rules. Operation is subject to the following two conditions: (1) This device may not cause harmful interference, and (2) this device must accept any interference received, including interference that may cause undesired operation.



CAUTION: Changes or modifications not expressly approved by the party responsible for compliance could void the user's authority to operate the equipment.

NOTE: This equipment has been tested and found to comply with the limits for a Class B digital device, pursuant to part 15 of the FCC Rules. These limits are designed to provide reasonable protection against harmful interference in a residential installation. This equipment generates, uses and can radiate radio frequency energy and, if not installed and used in accordance with the instructions, may cause

harmful interference to radio communications. However, there is no guarantee that interference will not occur in a particular installation. If this equipment does cause harmful interference to radio or television reception, which can be determined by turning the equipment off and on, the user is encouraged to try to correct the interference by one or more of the following measures:

- Reorient or relocate the receiving antenna.
- Increase the separation between the equipment and receiver.
- Connect the equipment into an outlet on a circuit different from that to which the receiver is connected.
- Consult the dealer or an experienced radio/TV technician for help.

Horizon Hobby, LLC
2904 Research Rd.,
Champaign, IL 61822
Email: compliance@horizonhobby.com
Web: HorizonHobby.com

WARRANTY AND SERVICE CONTACT INFORMATION

Country of Purchase	Horizon Hobby	Contact Information	Address
United States of America	Horizon Service Center (Repairs and Repair Requests)	servicecenter.horizonhobby.com/RequestForm/	2904 Research Rd Champaign, Illinois, 61822 USA
	Horizon Product Support (Product Technical Assistance)	productsupport@horizonhobby.com 877-504-0233	
	Sales	websales@horizonhobby.com 800-338-4639	

