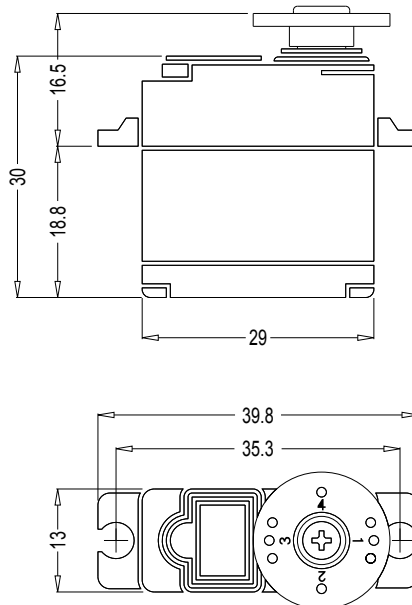


# ANNOUNCED SPECIFICATIONS OF HS-85MG<sup>+</sup> MIGHT MICRO METAL GEAR SERVO

## 1. TECHNICAL VALUES

CONTROL SYSTEM	:+PULSE WIDTH CONTROL 1500usec NEUTRAL	
OPERATING VOLTAGE RANGE	:4.8V TO 6.0V	
OPERATING TEMPERATURE RANGE	:-20°C TO +60°C	
TEST VOLTAGE	:AT 4.8V	AT 6.0V
OPERATING SPEED	:0.16sec/60° AT NO LOAD	0.14sec/60° AT NO LOAD
STALL TORQUE	:3.0kg.cm(41.66oz.in)	3.5kg.cm(48.60oz.in)
OPERATING ANGLE	:40° ONE SIDE PULSE TRAVELING 400usec	
DIRECTION	:CLOCK WISE/PULSE TRAVELING 1500 TO 1900usec	
CURRENT DRAIN	:8mA IDLE AND 240mA NO LOAD RUNNING	
DEAD BAND WIDTH	:8usec	
CONNECTOR WIRE LENGTH	:160mm (6.29in)	
DIMENSIONS	:29x13x30mm (1.14x0.51x1.18in)	
WEIGHT	:21.9g(0.77oz)	



## 2. FEATURES

- 3-POLES FERRITE MOTOR
- ONE BALL BEARING
- DIRECT POTENTIOMETER DRIVE
- HYBRID I.C
- 4-METAL GEARS

## 3. APPLICATIONS

- FAST ELECTRIC BOATS
- ROCKET PLANES AND SAILPLANE WINGS