

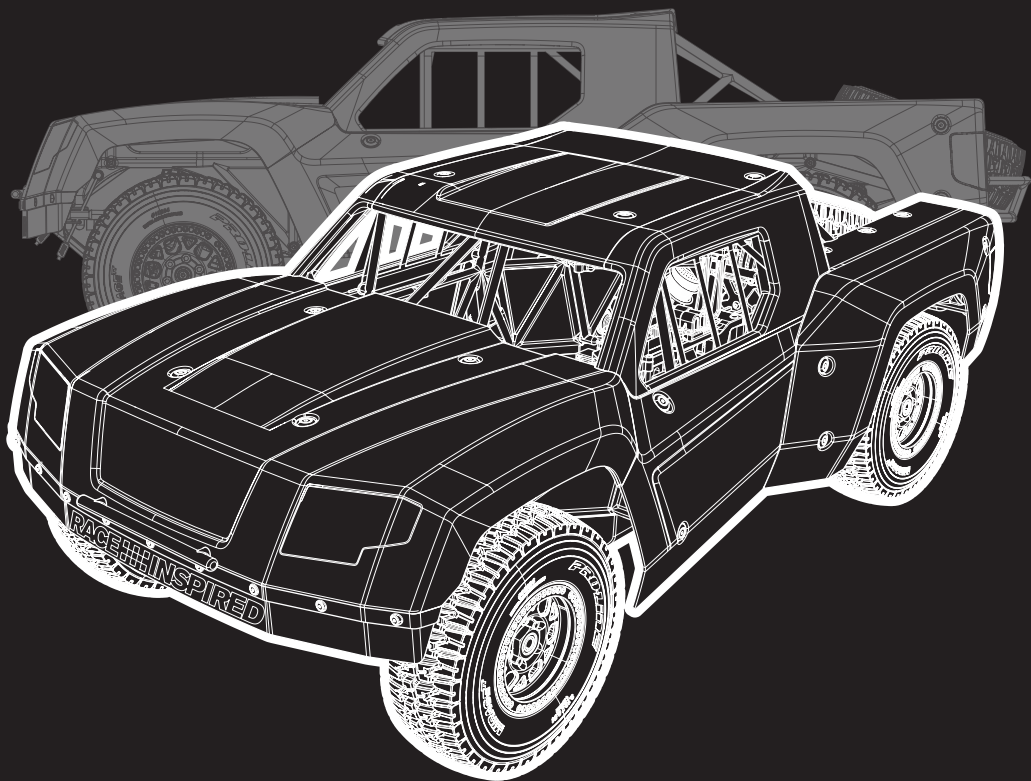


5IVE-T[®]

1/5-SCALE 4WD OFF-ROAD ELECTRIC DESERT RACING TRUCK

3.0

QUICKSTART GUIDE

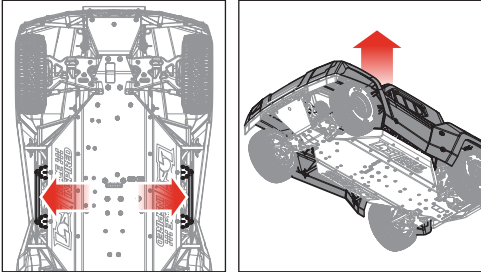
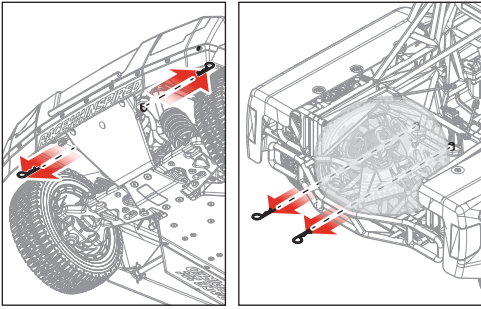


LOS05022

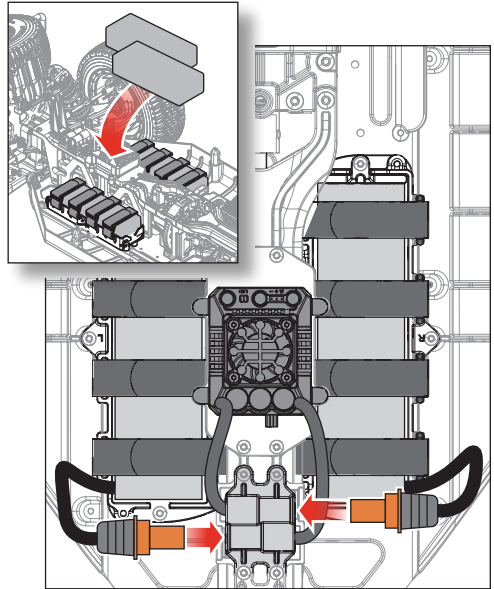
1428250 Created 12/25



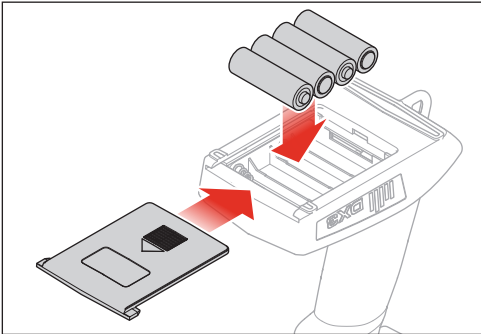
1. Remove the Body



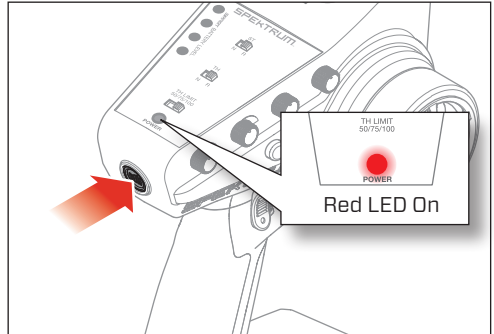
2. Install Charged Batteries



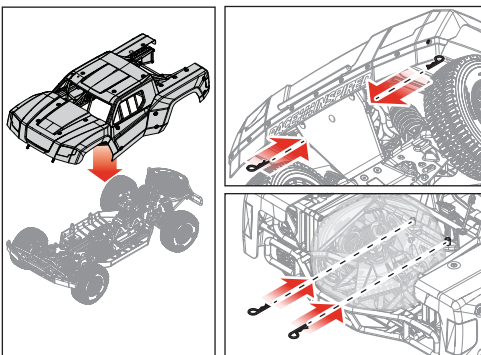
3. Install the Transmitter Batteries



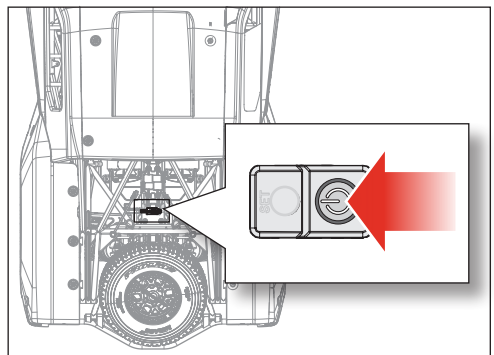
4. Power On the Transmitter



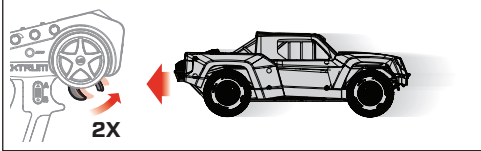
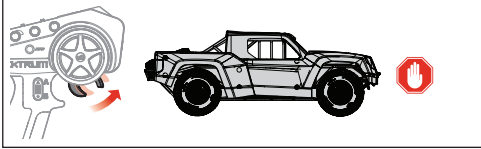
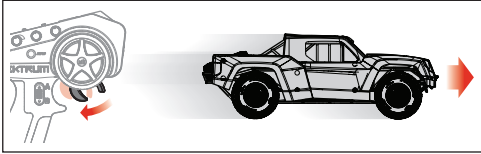
5. Reinstall the Body



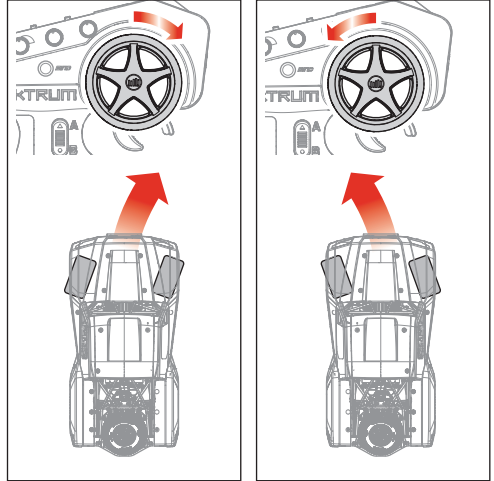
6. Power On the Vehicle



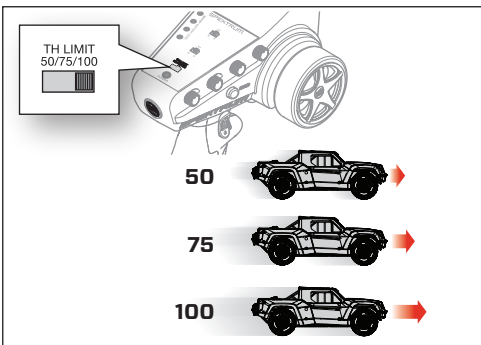
7. Throttle/Brake/Reverse



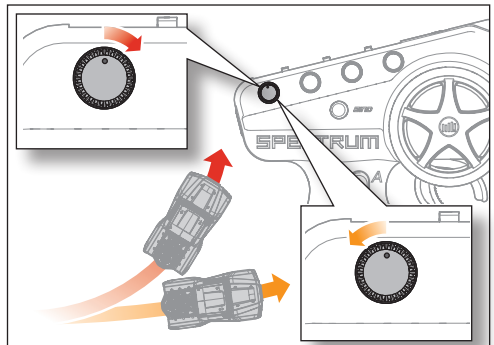
8. Steering



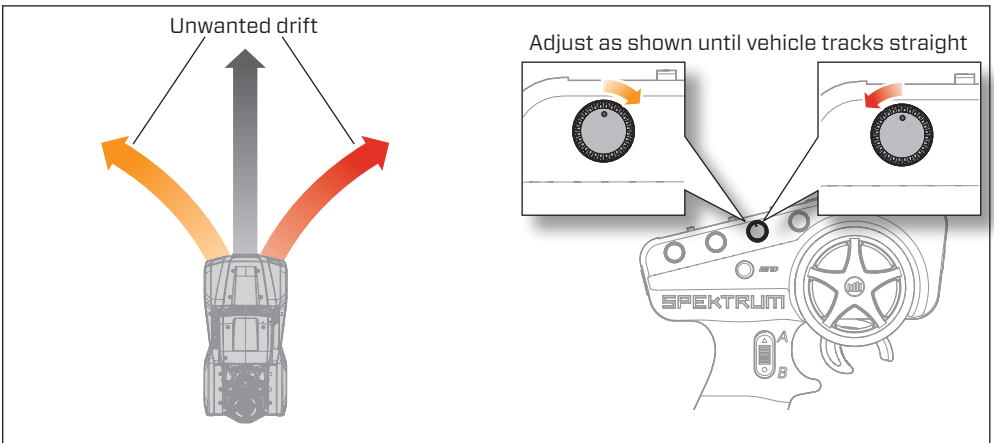
9. Throttle Limiter



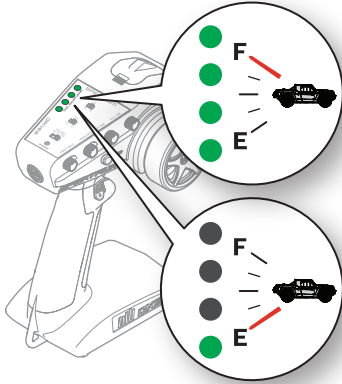
10. Steering Rate



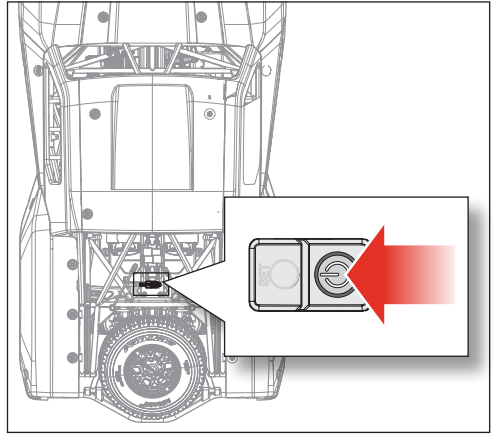
11. Steering Trim



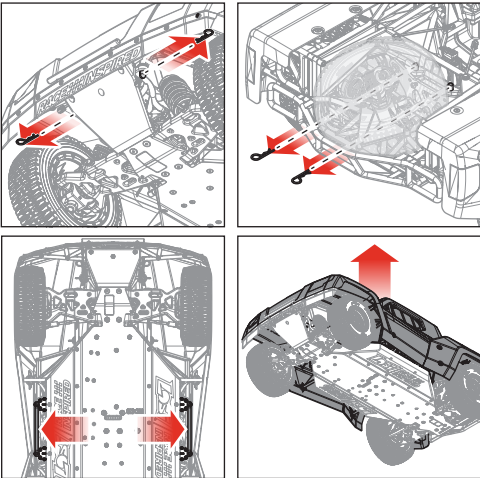
12. Battery Telemetry



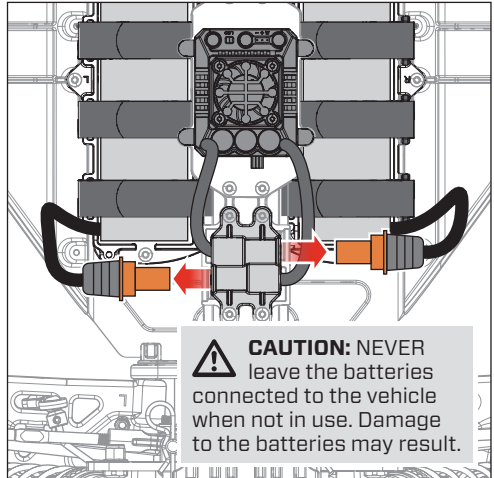
13. Power Off the Vehicle



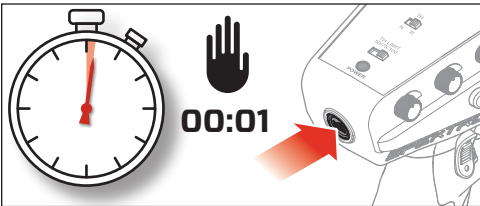
14. Remove the Body



15. Disconnect the Vehicle Batteries



16. Power Off the Transmitter



© 2026 Horizon Hobby, LLC.

Losi and the Horizon Hobby logo are trademarks or registered trademarks of Horizon Hobby, LLC.

The Spektrum trademark is used with permission of Bachmann Industries, Inc.

Other patents pending.

Created 12/25

1428250