



# CORVETTE ASSEMBLY INSTRUCTIONS



Congratulations on your purchase of the PROTOform **CORVETTE™** body for your ARRMA® Felony™/Infraction™! Please take a moment to review these instructions. Follow the painting & trimming tips below before making the necessary adjustments to your chassis for a perfect fit.

## PAINTING & TRIMMING TIPS

Scan this QR Code for painting tips!

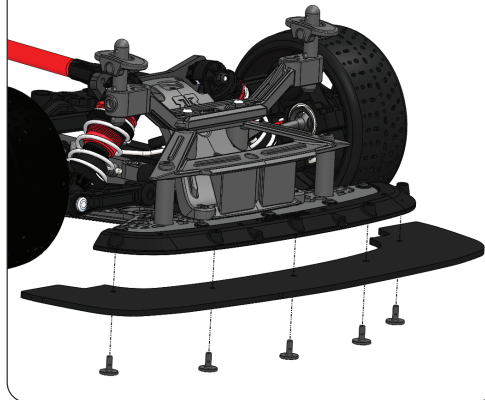


- 1 Wash the inside of your body with dish soap and place window masks inside
- 2 Paint your custom livery using polycarbonate-safe paint
- 3 Peel off the protective overspray film on the outside of your body & remove window masks
- 4 Detail your body using the included decal sheet
- 5 Trim your body & wing on marked lines using body scissors and/or hobby knife
- 6 Drill/ream 3.5mm diameter body post holes on the four marked locations (hood and rear deck)
- 7 Install Rear Wing using the included hardware, drilling/reaming holes on the marked locations on wing and wing posts
- 8 Secure body using body clips

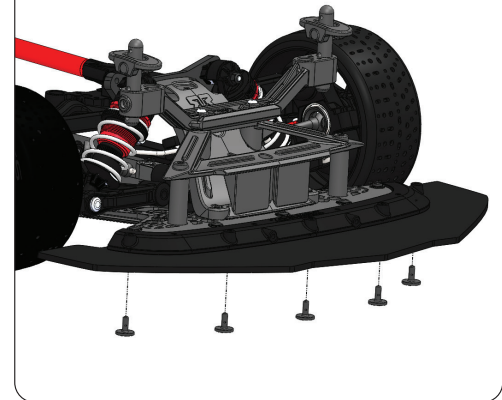
## PREPARE YOUR CHASSIS

- 1 Remove all stock body panels & rear exhaust pipe from chassis (if applicable)

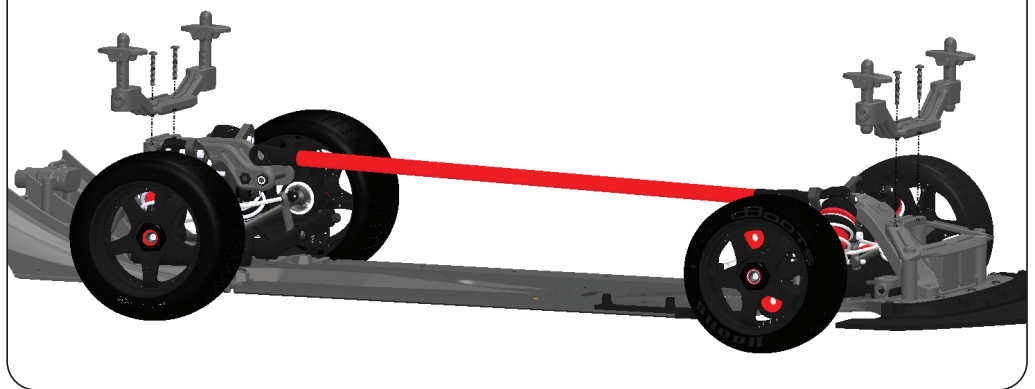
- 2 Remove stock front splitter



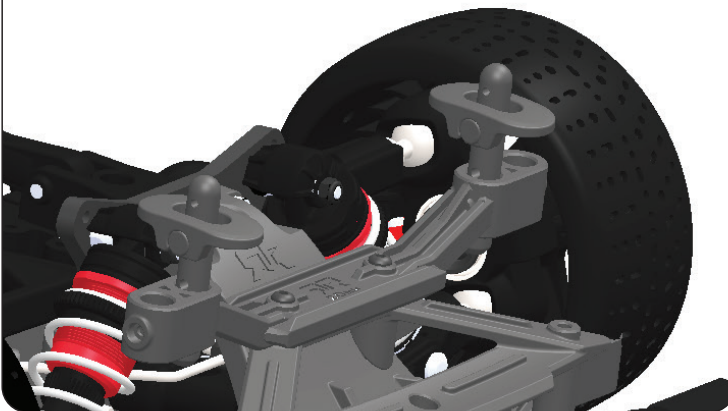
- 3 Install Corvette™ C8 splitter using stock hardware



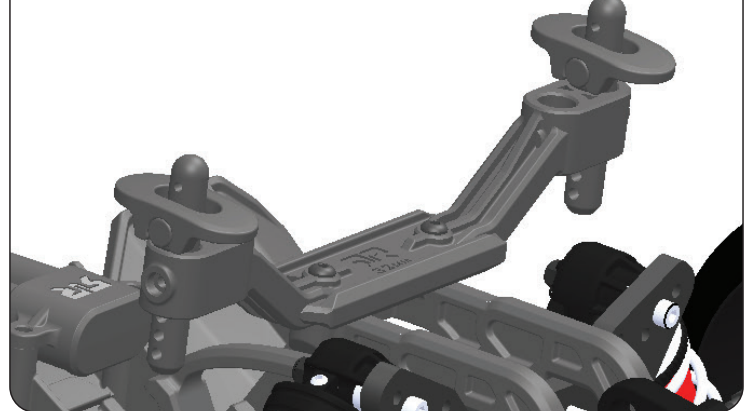
- 4 Remove front (32mm) and rear (20mm) body post holders



- 5 Swap 20mm body post holder to the front, facing upwards
- 6 Set body posts in inside hole position, using the 3rd hole from top



- 7 Swap 32mm body post holder to the rear, facing upwards
- 8 Set body posts in outside hole position, using lowest hole position



## IMPORTANT NOTE FOR INFRACTION™ OWNERS

This body was designed with wider rear fenders as a direct fit for the Felony™ to clear the 53/107 tires. It will work with Infraction™ rear tires, but to get the optimal look/fit, you can optionally choose to either widen the rear of your Infraction™ chassis with stock rear tires, or use Felony™ rear tires with modifications to the rear gear ratio. See parts required lists at right to make these modifications.

### STOCK REAR TIRES - PARTS LIST

Rear Hubs (2pcs)	AR330404
Axles (8x45mm) (2pcs)	AR310591
Hexes (16.5mm) (2pcs)	AR310484

### FELONY™ REAR TIRES - PARTS LIST (V1 INFRACTION™)

53/107 2.9 Tires (Pair)	ARA550073
Front Input Shaft Cup (Safe-D)	ARA310977
Front Input Shaft Cup Sleeve (4pcs)	ARA310976
Front Main Input Gear 15T GP5	ARA311016
Front Main Diff Gear 42T GP5	ARA311017
Rear Input Shaft Cup (SAFE-D)	ARA310977
Rear Input Shaft Cup Sleeve (4pcs)	ARA310976
Rear Main Input Gear 14T GP6	ARA311018
Rear Main Diff Gear 45T GP6	ARA311019

### FELONY™ REAR TIRES - PARTS LIST (V2 INFRACTION™)

53/107 2.9 Tires (Pair)	ARA550073
Rear Main Input Gear 14T GP6	ARA311018
Rear Main Diff Gear 45T GP6	ARA311019