

### SPARE PARTS LIST

QTY.	ITEM	DESCRIPTION	PART #
1	1	FRAME ASSEMBLY	620105A
1	2	TRUNION WELDMENT - RH	622504A
1	3	TRUNION WELDMENT - LH	622505A
1	4	TRUNION BLOCK	620025P
2	5	CYLINDER BRACKET	620031M
1	6	#10 FLAT WASHER	1075F
8	7	#6-32 X 3/8" PHMS	1071F
1	8	#10-32 X 1/4 BHCS	1021F
2	9	#6-32 LOCK NUT	1041F
1	10	CYLINDER CLEVIS PIN	150012M
1	11	E-CLIP	1039F
2	12	CAM BLOCK	620030M
1	13	LINKAGE BARREL	620029M
2	14	NYLON SPACER - BLACK	1203F
1	15	630 SERIES ACTUATOR	620E202A
2	16	#10-32 X 3/16 SET SCREW	1199F
1	17	UPPER STRUT WELDMENT - RH	HP51115A
1	18	UPPER STRUT WELDMENT - LH	HP51116A
1	19	OLEO RAM WELDMENT - RH	HP51113A
1	20	OLEO RAM WELDMENT - LH	HP 51114A
1	21	TORQUE LINK ASSEMBLY	620112A
2	22	CLEVIS PIN	620012M
2	23	E-CLIP	1039F
1	24	COMPRESSION SPRING	151019P



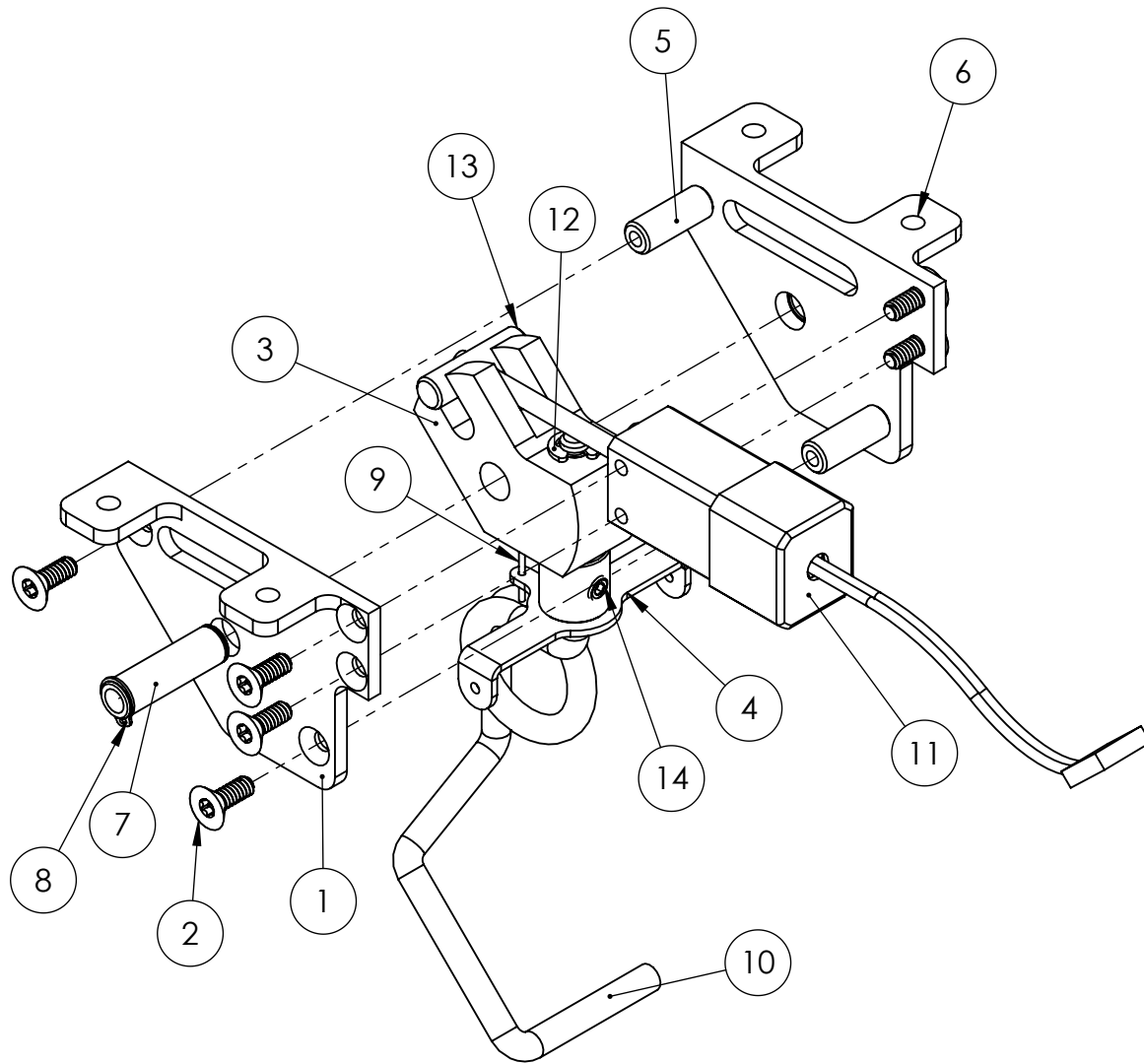
625 N. 12TH ST.  
ST. CHARLES, IL 60174  
PH: 630-584-7616  
FX: 630-584-3712

TITLE: **HANGAR 9  
P-51D MAIN ELECTRIC  
SPARE PARTS LIST**

**HANP51D-ESPM** REV -

**PROPRIETARY AND CONFIDENTIAL**  
THE INFORMATION CONTAINED IN THIS DRAWING IS THE SOLE PROPERTY OF ROBART MANUFACTURING. ANY REPRODUCTION IN PART OR AS A WHOLE WITHOUT THE WRITTEN PERMISSION OF ROBART MANUFACTURING IS PROHIBITED.

	NAME	DATE
DRAWN	N.MARC	26NOV14
CHECKED		



### SPARE PARTS LIST

QTY.	ITEM NO.	DESCRIPTION	PART #
1	1	90° TAIL FRAME - RH	HP51202M
8	2	4-40 X 5/16 TORX FMS ZINC	1065F
1	3	TRUNION - TAIL RETRACT	HP51204M
1	4	5/32" STEERING ARM	590101A
2	5	FRAME SPACER	HP51206M
1	6	90° TAIL FRAME - LH	HP51203M
1	7	PIVOT PIN	HP51207M
2	8	RETAINING RING	1125F
1	9	CENTERING SPRING	HP51209M
1	10	TAIL WIRE	HP51208M
1	11	TAIL ACTUATOR	125E108A
1	12	E-CLIP	1039F
1	13	CAM PIN	HP51210M
1	14	SET SCREW 6-32 X 1/8"	1060F



625 N. 12TH ST.  
ST. CHARLES, IL 60174  
PH: 630-584-7616  
FX: 630-584-3712

TITLE:

**HANGAR 9 P51D  
TAIL SPARE PARTS**

**HANP51D-ESPT**

REV -

**PROPRIETARY AND CONFIDENTIAL**

THE INFORMATION CONTAINED IN THIS DRAWING IS THE SOLE PROPERTY OF ROBART MANUFACTURING. ANY REPRODUCTION IN PART OR AS A WHOLE WITHOUT THE WRITTEN PERMISSION OF ROBART MANUFACTURING IS PROHIBITED.

	NAME	DATE
DRAWN	N.MARC	12/17/14
CHECKED		