



**PRODUCT BULLETIN: GB200
2-Axis Brushless Gimbal Pitch
Control Update**



August 28, 2014

**Click Here to download PDF
version [Document attached
below main article]**

Products: Blade GB200 camera gimbals being used with the original Blade 350 QX (BLH7800/BLH7880) OR Blade 350 QX fi rmware version 2.0 (BLH7800A/BLH7880A).

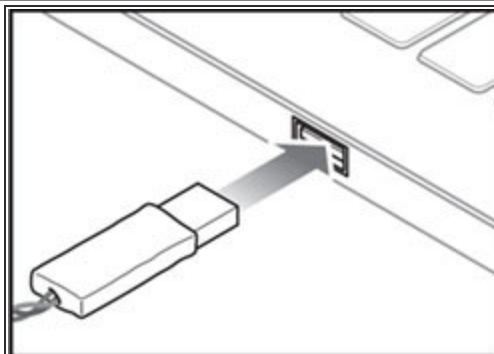
Issue: Horizon Hobby has received a number of reports relating to intermittent gimbal pitch control when the GB200 and a Spektrum® DSMX remote receiver are used with the Blade 350 QX quadcopters listed above.

What to Do: If you wish to use the gimbal tilt control function with the Blade 350 QX quadcopters listed, you must update the gimbal fi rmware using the rocedure below, install a Spektrum DSMX remote receiver to your gimbal and bind it to your radio during the bind procedure of the 350 QX.

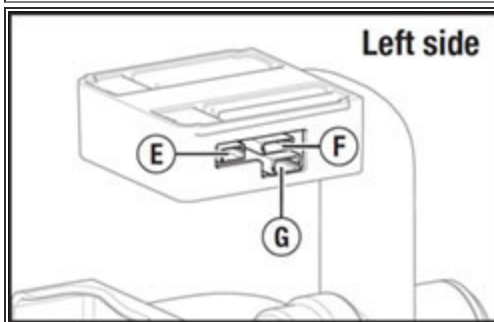
Corrective Action:

1. Go to the GB200 gimbal product page on HorizonHobby.com: <http://www.horizonhobby.com/products/gb200-brushless-gimbal-BLH7910>.
2. Download the gimbal firmware update zip file.
3. Extract the files from the zip file.
4. Install the driver in the zip file for the USB dongle.

5. Connect the USB dongle to a USB port on your computer. Ensure no other devices are connected to a USB port.

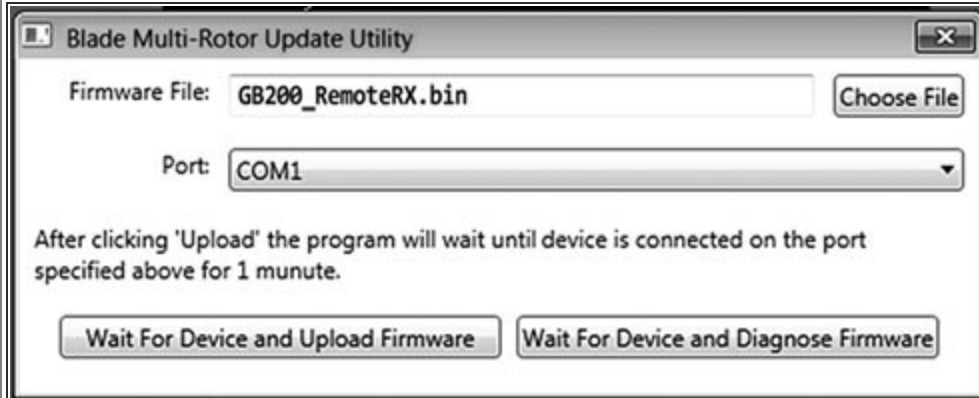


6. Connect the USB dongle to the Software Update Port (E) on your GB200 gimbal.

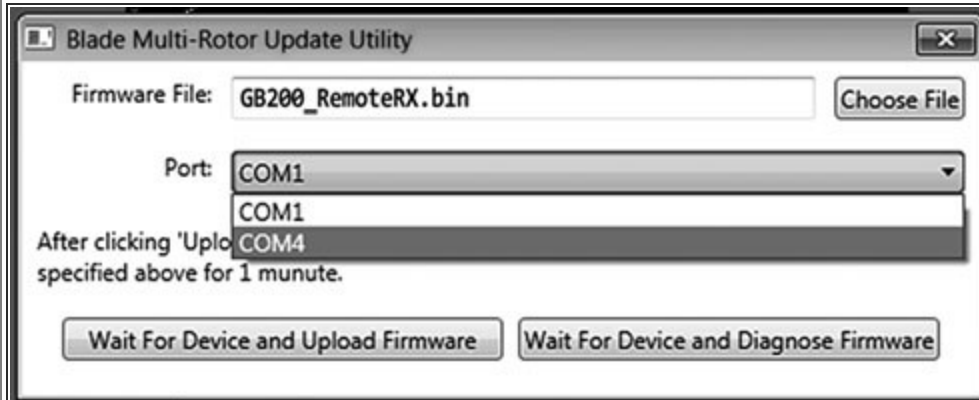


7. Open the Firmware Updater appropriate for your computer operating system.

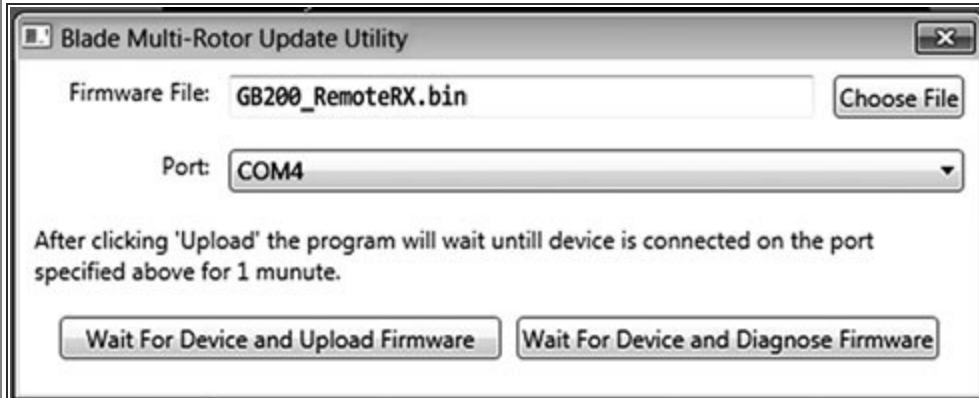
8. Select “Choose File” and select the GB200_RemoteRX.bin file in the folder.



9. Select the second COM option in the dropdown menu in Port. Do not select COM1.



10. Select “Wait For Device and Upload Firmware.”



11. Connect a charged flight battery to the 350 QX and power it ON within 60 seconds.

12. When the update is complete, a screen will prompt: “Device was upgraded successfully. Please disconnect and reset device.” Select OK.



13. Power OFF the 350 QX and disconnect the dongle. If the update fails, repeat the above procedure.

If you have any questions, please call Horizon Hobby Product Support at 888-959-2304.

If you purchased your product outside of the US and Canada, please see the retailer or distributor you purchased your product from for assistance.

	<p>©2014 Horizon Hobby, LLC. Blade is a registered trademark of Horizon Hobby, LLC. The Spektrum trademark is used with permission of Bachmann Industries, Inc. Created: 08/2014 46796</p>
--	--

BLADE® GB200 2-Axis Brushless Gimbal Product Bulletin

August 28, 2014

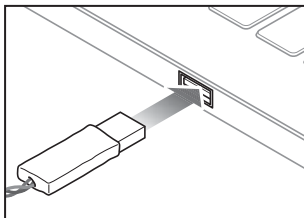
Products: Blade GB200 camera gimbals being used with the original Blade 350 QX (BLH7800/BLH7880) OR Blade 350 QX firmware version 2.0 (BLH7800A/BLH7880A).

Issue: Horizon Hobby has received a number of reports relating to intermittent gimbal pitch control when the GB200 and a Spektrum® DSMX remote receiver are used with the Blade 350 QX quadcopters listed above.

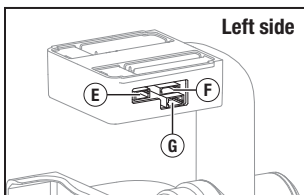
What to Do: If you wish to use the gimbal tilt control function with the Blade 350 QX quadcopters listed, you must update the gimbal firmware using the procedure below, install a Spektrum DSMX remote receiver to your gimbal and bind it to your radio during the bind procedure of the 350 QX.

Corrective Action:

1. Go to the GB200 gimbal product page on HorizonHobby.com:
<http://www.horizonhobby.com/products/gb200-brushless-gimbal-BLH7910>.
2. Download the gimbal firmware update zip file.
3. Extract the files from the zip file.
4. Install the driver in the zip file for the USB dongle.
5. Connect the USB dongle to a USB port on your computer. Ensure no other devices are connected to a USB port.

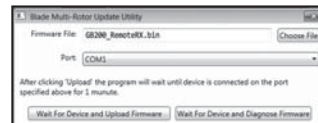


6. Connect the USB dongle to the Software Update Port (E) on your GB200 gimbal.

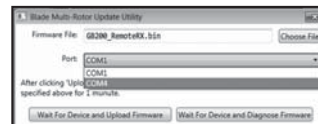


7. Open the Firmware Updater appropriate for your computer operating system.

8. Select "Choose File" and select the GB200_RemoteRX.bin file in the folder.



9. Select the second COM option in the dropdown menu in Port. Do not select COM1.

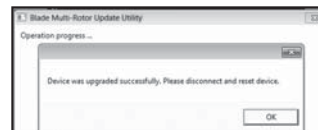


10. Select "Wait For Device and Upload Firmware."



11. Connect a charged flight battery to the 350 QX and power it ON within 60 seconds.

12. When the update is complete, a screen will prompt: "Device was upgraded successfully. Please disconnect and reset device." Select OK.



13. Power OFF the 350 QX and disconnect the dongle.

If the update fails, repeat the above procedure.

If you have any questions, please call Horizon Hobby Product Support at 888-959-2304.

If you purchased your product outside of the US and Canada, please see the retailer or distributor you purchased your product from for assistance.