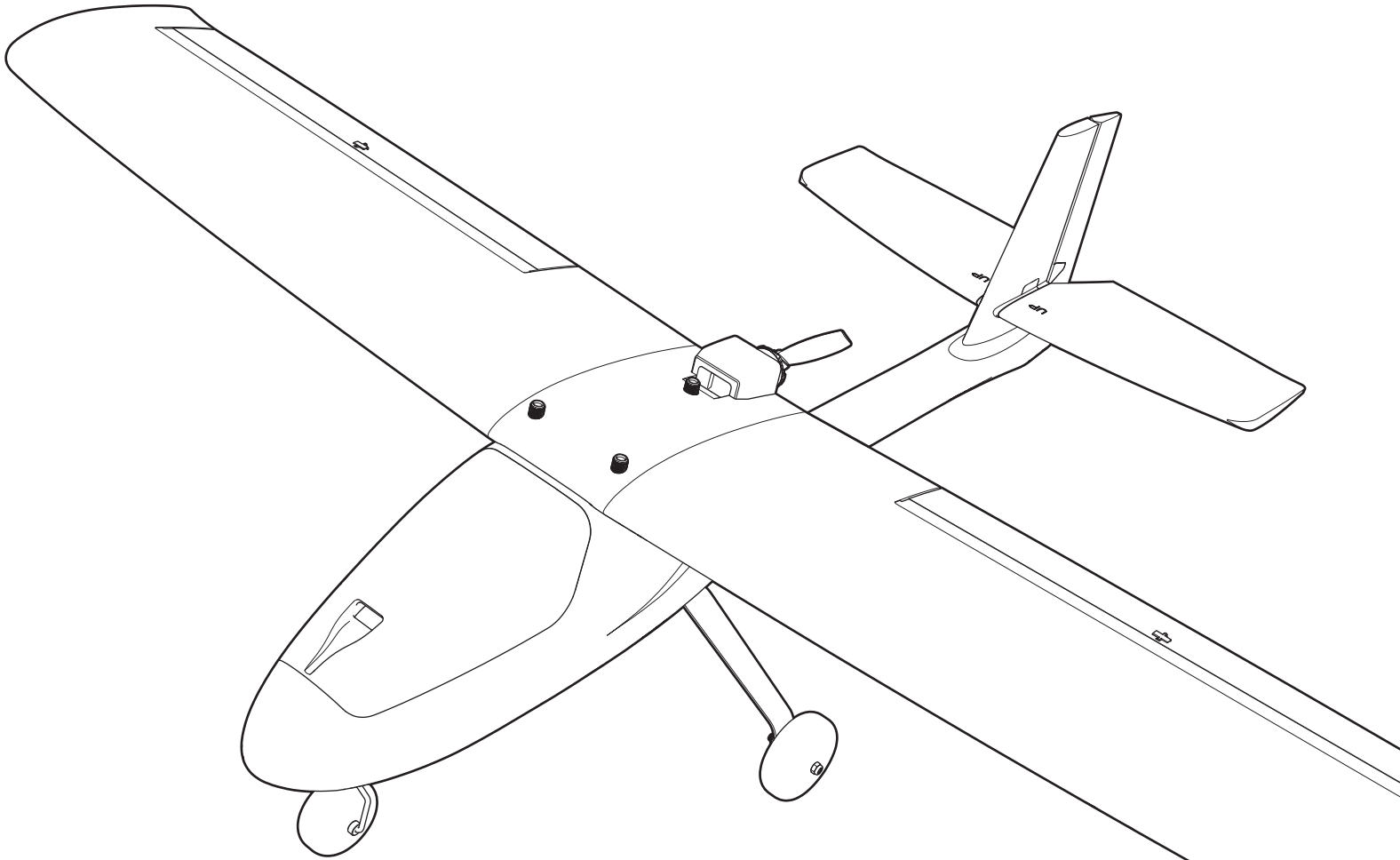


AeroScout S 2 1.1m



Scan the QR code and select the Manuals and Support quick links from the product page for the most up-to-date manual information.

Scannen Sie den QR-Code und wählen Sie auf der Produktseite die Quicklinks Handbücher und Unterstützung, um die aktuellsten Informationen zu Handbüchern.

Scannez le code QR et sélectionnez les liens rapides Manuals and Support sur la page du produit pour obtenir les informations les plus récentes sur le manuel.

Scannerizzare il codice QR e selezionare i Link veloci Manuali e Supporto dalla pagina del prodotto per le informazioni manuali più aggiornate.



HBZ380002



HBZ385002

Instruction Manual | Bedienungsanleitung
Manuel d'utilisation | Manuale di Istruzioni

NOTICE

All instructions, warranties and other collateral documents are subject to change at the sole discretion of Horizon Hobby, LLC. For up-to-date product literature, visit horizonhobby.com or towerhobbies.com and click on the support or resources tab for this product.


Meaning of Special Language:

The following terms are used throughout the product literature to indicate various levels of potential harm when operating this product:

WARNING: Procedures, which if not properly followed, create the probability of property damage, collateral damage, and serious injury OR create a high probability of superficial injury.


CAUTION: Procedures, which if not properly followed, create the probability of physical property damage AND a possibility of serious injury.

NOTICE: Procedures, which if not properly followed, create a possibility of physical property damage AND little or no possibility of injury.

 **WARNING:** Read the ENTIRE instruction manual to become familiar with the features of the product before operating. Failure to operate the product correctly can result in damage to the product, personal property and cause serious injury.

This is a sophisticated hobby product. It must be operated with caution and common sense and requires some basic mechanical ability. Failure to operate this Product in a safe and responsible manner could result in injury or damage to the product or other property. This product is not intended for use by children without direct adult supervision. Do not use with incompatible components or alter this product in any way outside of the instructions provided by Horizon Hobby, LLC. This manual contains instructions for safety, operation and maintenance. It is essential to read and follow all the instructions and warnings in the manual, prior to assembly, setup or use, in order to operate correctly and avoid damage or serious injury.

Age Recommendation: Not for children under 14 years. This is not a toy.

 **WARNING AGAINST COUNTERFEIT PRODUCTS:** If you ever need to replace your Spektrum receiver found in a Horizon Hobby product, always purchase from Horizon Hobby, LLC or a Horizon Hobby authorized dealer to ensure authentic high-quality Spektrum product. Horizon Hobby, LLC disclaims all support and warranty with regards, but not limited to, compatibility and performance of counterfeit products or products claiming compatibility with DSM or Spektrum technology.

Safety Precautions and Warnings

As the user of this product, you are solely responsible for operating in a manner that does not endanger yourself and others or result in damage to the product or the property of others.

- Always keep a safe distance in all directions around your model to avoid collisions or injury. This model is controlled by a radio signal subject to interference from many sources outside your control. Interference can cause momentary loss of control.
- Always operate your model in open spaces away from full-size vehicles, traffic and people.
- Always carefully follow the directions and warnings for this and any optional support equipment (chargers, rechargeable battery packs, etc.).
- Always keep all chemicals, small parts and anything electrical out of the reach of children.
- Always avoid water exposure to all equipment not specifically designed and protected for this purpose. Moisture causes damage to electronics.
- Never place any portion of the model in your mouth as it could cause serious injury or even death.
- Never operate your model with low transmitter batteries.
- Always keep aircraft in sight and under control.
- Always use fully charged batteries.
- Always keep transmitter powered on while aircraft is powered.
- Always remove batteries before disassembly.
- Always keep moving parts clean.
- Always keep parts dry.
- Always let parts cool after use before touching.
- Always remove batteries after use.
- Always ensure failsafe is properly set before flying.
- Never operate aircraft with damaged wiring.
- Never touch moving parts.

Registration

Register your product today to join our mailing list and keep up to date with product updates, offers and HobbyZone® news.



Table of Contents

Completion Guide	3
Included Tools	3
Aircraft Components	4
Aircraft Assembly	5
Spektrum DXS Transmitter	7
Flight Battery Installation, SAFE System and Electronic Speed Control (ESC) Arming	8
Center of Gravity (CG)	9
Control Direction Test	10
Before Your First Flight	11
Connecting the Included DXS Transmitter To RealFlight (RTF Basic Only)	11
Choose a Flying Field	11
Range Test	12
Flight Control	13
Sensor Assisted Flight Envelope (SAFE) Technology Flight Modes	14
Preflight Checklist	15
Flying	15
Trimming the Aircraft	17
Post Flight	18
Transmitter and Receiver Binding	18
Flight Training	19
Smart Transmitter File (STF) Loading Option	20
STF and Manual Transmitter Setup Switch Layout	20
Manual Transmitter Setup/Programming Option	21
Service and Repairs	22
Factory Settings for the Control Horns and Servo Arms	23
Flying with the Optional Float Set	23
AS3X® System Trouble Shooting Guide	24
Troubleshooting Guide	24
Replacement Parts	25
Glossary of Important Terms	25
Recommended Parts	25
Optional Parts	25
Important Federal Aviation Administration (FAA) Information	26
AMA National Model Aircraft Safety Code	26
Limited Warranty	27
Contact Information	27
FCC Information	28
IC Information	28
Compliance Information for the European Union	28

Specifications	
Wingspan	40.5" (1033mm)
Length	45" (1140mm)
Weight	Without Battery: 2.9lbs (1316g) With Recommended 3S 11.1V 1300–2200mAh 30C LiPo Flight Battery: 3.4lbs (1550g)

Included Equipment	
Transmitter*	Spektrum™ DXS 2.4GHz (SPMR1010)
Transmitter Batteries*	4 AA Alkaline
Receiver	Spektrum™ AR631 + 6-CH AS3X SAFE (SPM-1031)
ESC	Avian 30-Amp Smart Lite Brushless ESC; 3S–4S, IC3 (SPMXAE30B)
Motor	2306–2250Kv Brushless 14-Pole Motor (HBZ3809)
Servos	(2) Aileron and (1) Elevator 8g Sub-Micro Servo (SPMSA390) (1) Rudder/Nose Gear, 13g Metal Gear Servo (SPMSA392)

*RTF Basic only

Required Equipment	
Flight Battery	3S 11.1V 1300–2200mAh 30C LiPo with EC3™ or IC3® Connector
Battery Charger	3S LiPo Battery Compatible

Optional Accessories	
HBZ3811	Float Set: AeroScout
RFL1205	RealFlight® Trainer Edition RC Flight Simulator
SPMWS2000	WS2000 Wireless Simulator USB Dongle
SPMXPSA200	Smart G2 Powerstage Bundle with 3S 2200mAh Battery and S120 Charger
SPMX223S30	2200mAh 3S 11.1V Smart G2 LiPo 30C; IC3
SPMXC2050	S155 55W AC G2 Smart Charger
SPMX22003S30	2200mAh 3S 11.1V Smart Li-Po 30C; IC3
SPMXC2080	Smart S1100 AC Charger, 1x100W
SPMXC2090	Smart S100 G2 USB-C Charger
SPMX13003S30M	1300mAh 3S 11.1V Smart LiPo Battery 30C IC3
SPMA9500	Sky Remote ID Module
SPMXBC200	XBC200 Smart Battery Checker & Servo Tester
SPMR7110	NX7e+ 7 Channel Transmitter
HBZ-4027	AeroScout Blue Decal Sheet

Completion Guide

Scan this QR code to see the Completion Guide for information on the recommended Powerstage battery and charger bundle. You can also view the Optional Parts list on the product page on www.HorizonHobby.com for more information on other compatible batteries, chargers and other items.

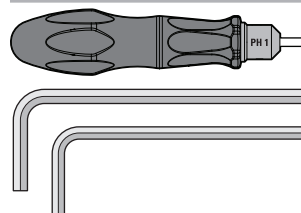


HBZ380002



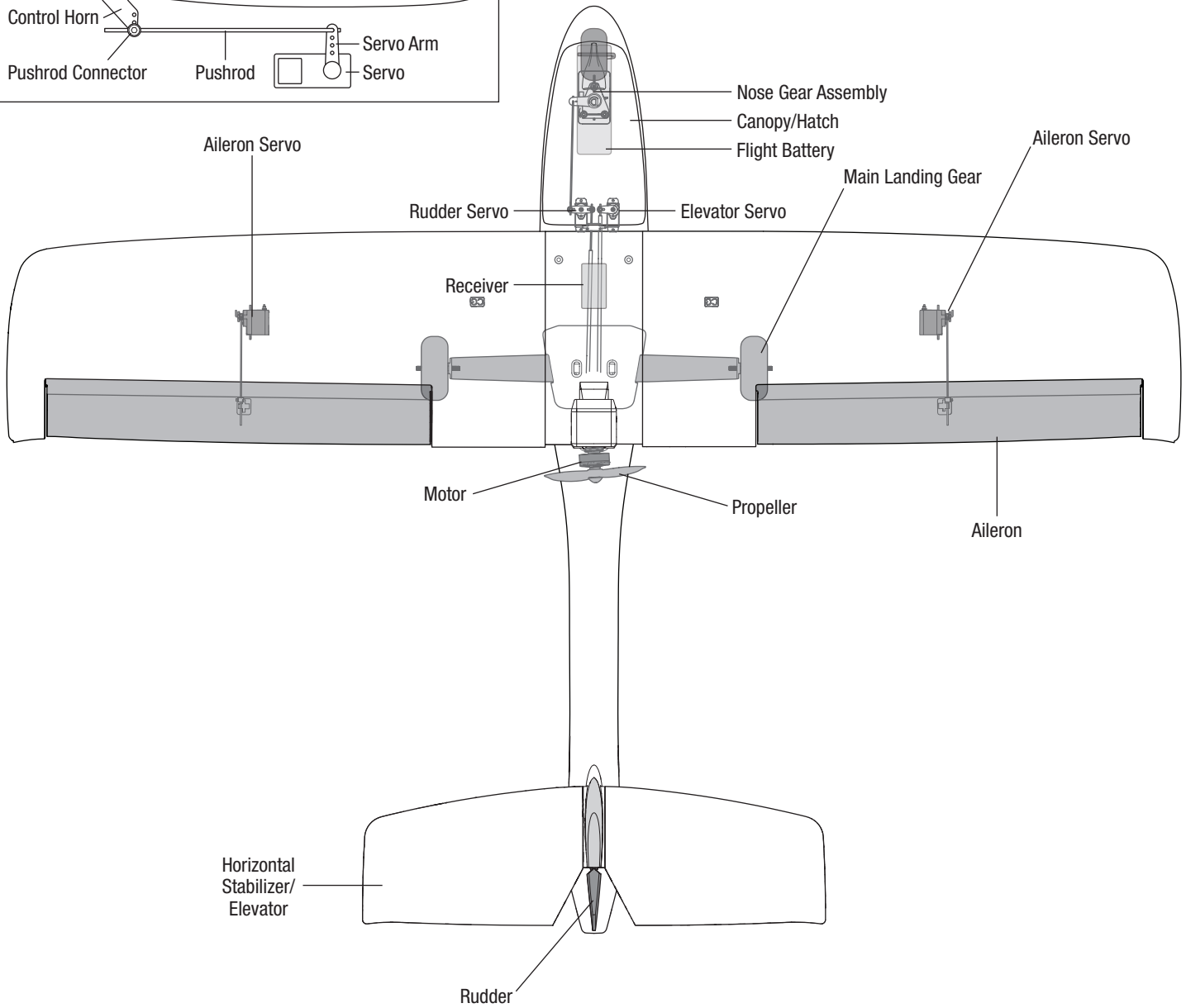
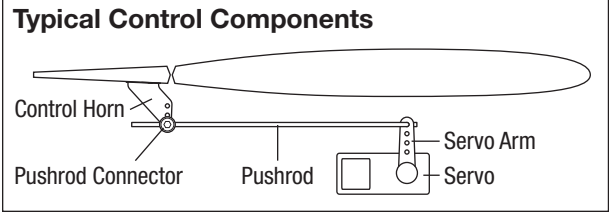
HBZ385002

Included Tools



- #1 Phillips Head Screwdriver
- 2mm Hex L-Wrench
- 1.5mm Hex L-Wrench (adjust easy connects on servo arms)

Aircraft Components



Aircraft Assembly

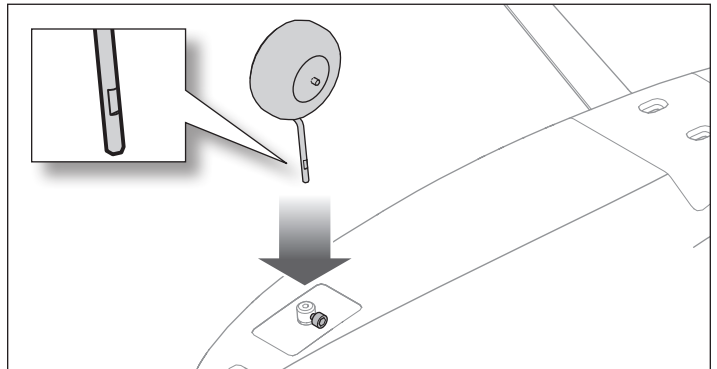
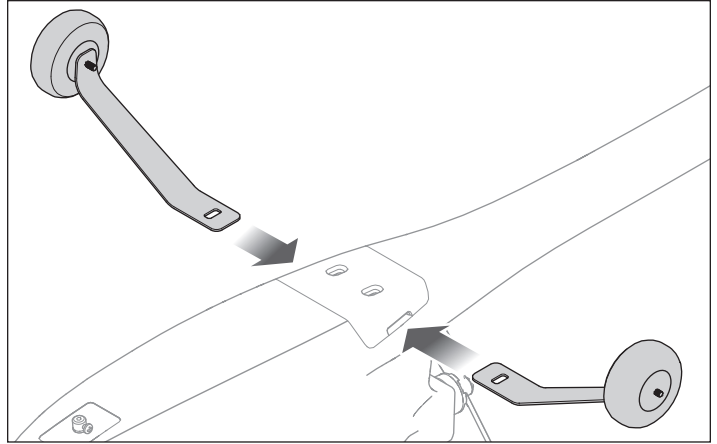
We recommend reading each section of this manual before proceeding with assembly per the steps outlined. We also recommend watching the entire assembly video by scanning this QR code or using this URL: www.horizonhobby.cc/as2assembly.



Assembly Video

Landing Gear Installation

1. Slide the main gear into the slots in the fuselage until they lock into place.
2. Insert the nose gear into the wheel collar as shown and tighten the screw against the flat in the gear wire using a 2mm hex L-wrench.



Horizontal Tail Installation

We recommend watching the “Horizontal Tail Installation” chapter/section of the assembly video by scanning this QR code or using this URL: www.horizonhobby.cc/as2assembly.

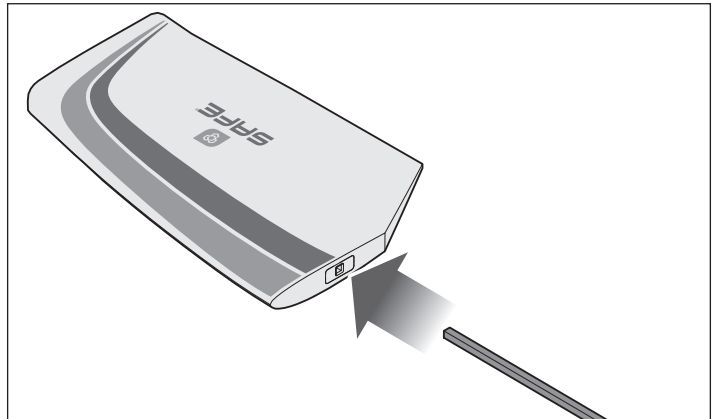


Assembly Video

1. Slide the longer of the two included square carbon fiber tubes fully into the hole of either of the horizontal stabilizers. The tube is a friction fit and does not require any adhesive.

IMPORTANT: The fit will be tight.

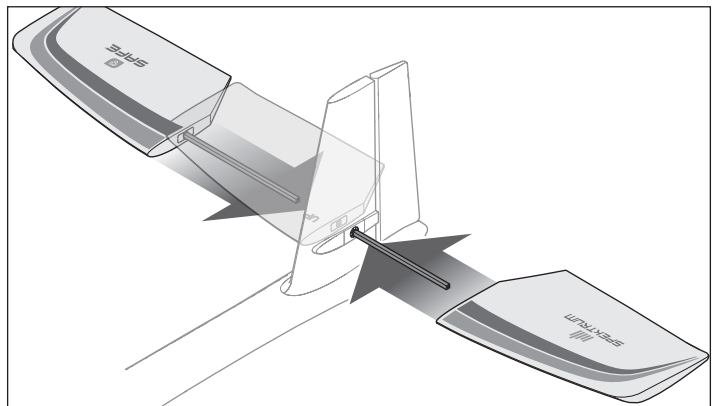
TIP: Use a drop of dishwashing soap on the rod to help it slide through the opening in the vertical stabilizer.



2. Insert the tube through the hole in the vertical tail of the fuselage as shown, until the previously attached horizontal stabilizer is against the fuselage.

IMPORTANT: The decals on the horizontal stabilizers must face up when the stabilizers are installed correctly.

3. Slide the opposite horizontal stabilizer over the other end of the tube. Press the stabilizer halves together until they are both fully seated on the tube. Use a credit card at the trailing edge to make sure there is a small (1mm) gap between the stabilizers and the fuselage.



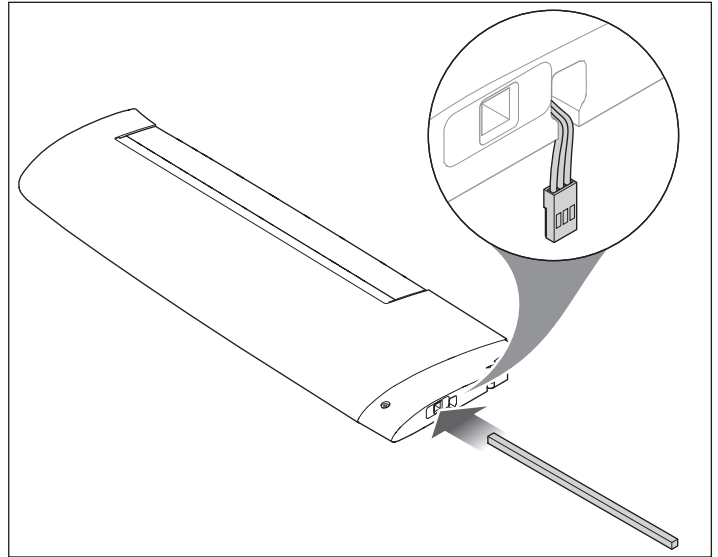
Wing Assembly and Installation

We recommend watching the “Wing Assembly and Installation” chapter/section of the assembly video by scanning this QR code or using this URL: www.horizonhobby.cc/as2assembly.

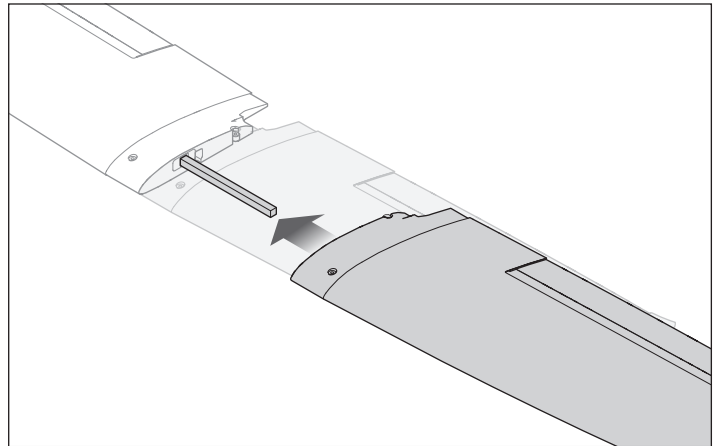


Assembly Video

1. Slide the carbon fiber wing joiner fully into a wing panel as shown. Ensure the aileron servo lead exits through the slot in the bottom of the wing.



2. Slide the opposite wing panel over the wing joiner until the root of the wing panels are tight and the rear mounting hole is correctly aligned. Ensure both aileron servo leads exit through the bottom of the wing and are not pinched between the wing panels.



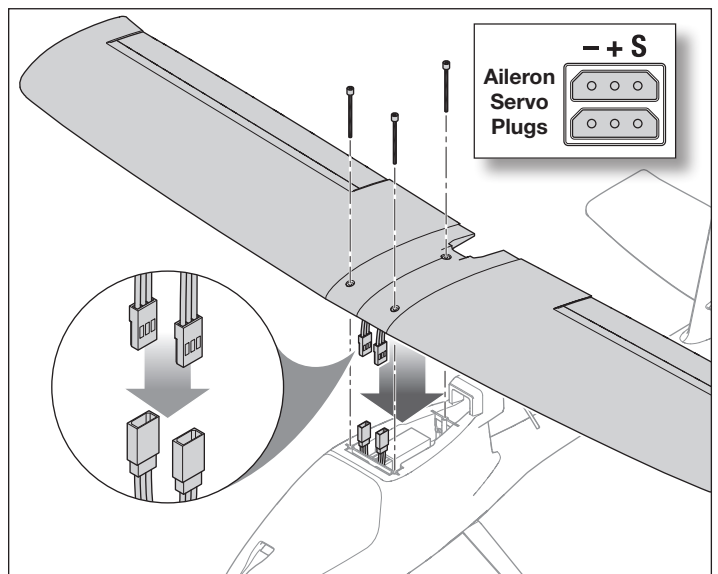
3. Connect the aileron servo leads to the y-harness installed in CH2 (channel 2) of the receiver.

IMPORTANT: If the servo leads and the y-harness wires are different colors, match the orange wire of the servo lead to the white wire of the y-harness and the brown wire of the servo lead to the black wire of the y-harness when inserting the connectors.

4. Center the wing on the fuselage. Ensure the aileron leads are not pinched between the wing and fuselage.
5. Attach the wing with the included 50mm screws. Do not overtighten the wing screws, as it may damage the wing or the attachment points in the fuselage.

IMPORTANT: The wing screws may be a tight fit the first few times they are installed into the fuselage. Use a screwdriver if necessary until the fuselage attachment points loosen enough for the screws to be installed by hand.

NOTICE: Do not overtighten the wing screws. Doing so will crush the foam of the wing or damage the fuselage attachment points.



Spektrum DXS Transmitter

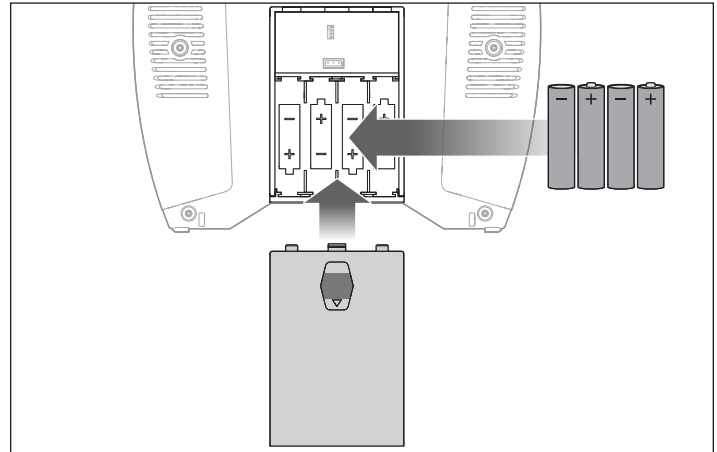
Install the Transmitter Batteries

1. Remove the battery cover.
2. Install the included four AA batteries, noting proper polarity.
3. Reinstall the battery cover.

Low Battery Alarm

When the transmitter battery voltage drops below 4.7 volts, an alarm sounds and the voltage LEDs flash. Replace the batteries immediately. If the alarm sounds while flying, land your aircraft as soon as possible.

CAUTION: If using rechargeable batteries, charge only rechargeable batteries. Charging non-rechargeable batteries may cause the batteries to burst, resulting in injury to persons and/or damage to property.



Transmitter Switches and LEDs

Button A = Trainer/Bind/Panic Button: This button is used to control the Trainer, Bind and Panic Recovery Mode functions.

See the Flight Training section for information on using the transmitter as part of a "buddy box" training system.

See the Binding section for information on re-binding your transmitter and aircraft if necessary. The included transmitter comes bound to the receiver/aircraft from the factory, therefore binding is not typically necessary.

See the Sensor Assisted Flight Envelope (SAFE) Technology section for information about panic recovery mode.

Switch F = Hi/Lo Rate Switch: This switch supports high and low rate functions on aileron, elevator and rudder channels.

We recommend using low rates when first learning to fly or for smooth and more precise maneuvering, and high rates for more aggressive maneuvers and aerobatics.

In the upper, or "HI" position, servo travel is 100% on these channels. In the lower, or "LO," position, servo travel decreases to 70%.

Switch B = Flight Mode Switch: This switch is used to select the SAFE flight mode. See the Sensor Assisted Flight Envelope (SAFE) Technology section for information about the various SAFE flight modes.

Switch H = Throttle Cut Switch: This switch activates throttle cut.

With throttle cut on (switch H, position 1), throttle input from the throttle stick is deactivated. This safety feature ensures any accidental movement of the throttle stick will not activate the motor while the flight battery is connected.

With throttle cut off (switch H, position 0), any position of the throttle stick above the lowest setting will activate the aircraft motor.

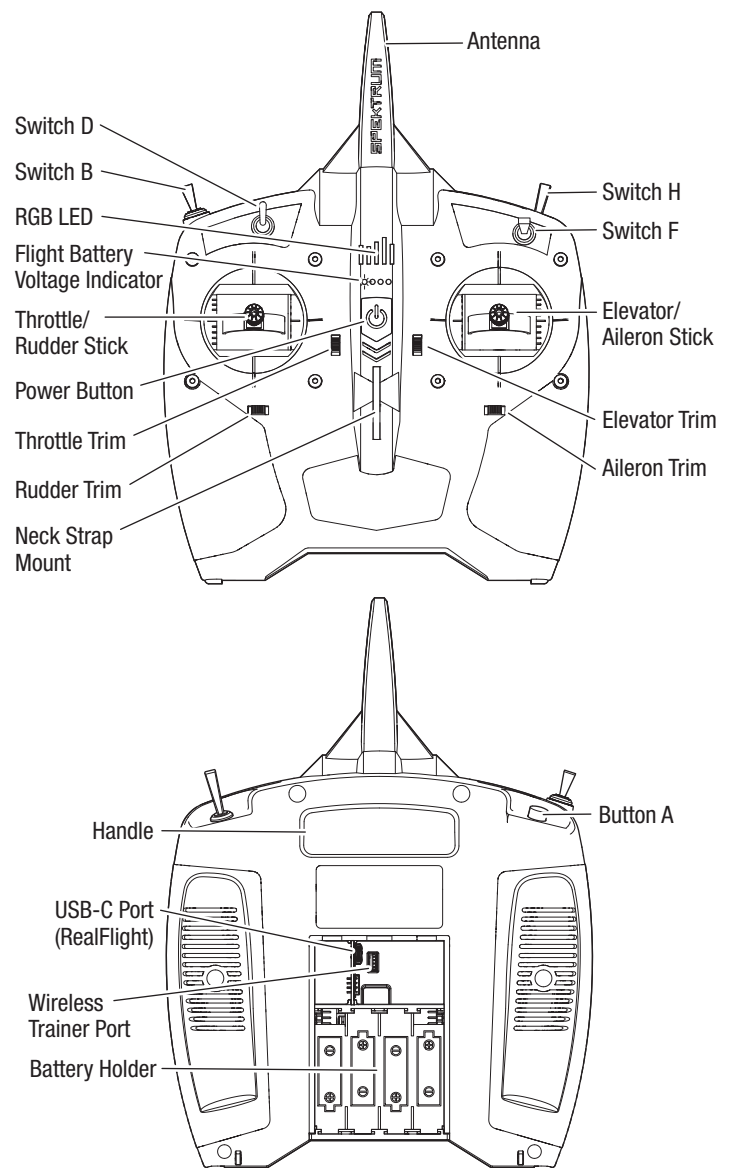
NOTICE: Always ensure the throttle stick is at the lowest setting before switching the throttle cut function off. Failure to do so will result in the motor activating.

Switch D = Channel 7 Switch: This switch is not used for this aircraft.

RGB LED and Audible Indications:

Flashing with beeps: The transmitter is in bind mode, because the bind button was held down while the transmitter was powered on. See the Binding section for more information.

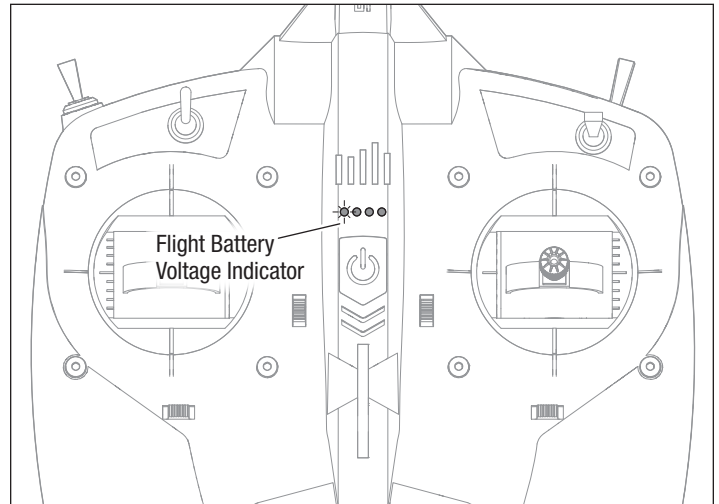
Pulsates with one low tone beep every 2 seconds: The transmitter battery voltage has dropped below 4.7 volts. Replace the transmitter batteries immediately. If this happens while flying, land the aircraft as soon as possible.



Flight Battery Voltage Indicator

The included DXS transmitter is equipped with a flight battery voltage indicator feature that works with compatible Smart technology-equipped receivers, flight controllers and telemetry-capable ESCs. This Smart technology feature gives a visual representation of the approximate flight battery voltage/power remaining via the four LED indicators on the transmitter.

- When the battery is fully charged, all four LEDs glow solid.
- When the throttle is increased, the voltage of the battery drops, causing the LEDs to indicate less voltage and useable capacity of the battery remains, via fewer LEDs glowing solid or flashing.
- When the throttle is decreased, the load on the battery decreases and the voltage of the battery increases, indicated by more LEDs glowing solid or flashing. Over time less of the useable capacity of the battery remains and less power is available, indicated by fewer LEDs glowing solid or flashing.
- When the last LED begins to flash, the flight battery low voltage alarm on the transmitter sounds before the low voltage cutoff function is triggered in the aircraft ESC (see the Flying section for a description of the low voltage cutoff function). The flight battery low voltage alarm sounds for 25 seconds. If the throttle is lowered and the flight battery voltage recovers because enough useable capacity remains in the flight battery, the alarm will stop before 25 seconds. In either case, land the aircraft as soon as practical after the alarm sounds.



To reset the flight battery low voltage warning:

1. After landing, disconnect the flight battery from the aircraft for at least 15 seconds, or until the flight battery voltage indicator LEDs on the DXS transmitter go out.
2. Connect a fully charged battery to the aircraft. The flight battery voltage indicator resets prior to the next flight.

Flight Battery Installation, SAFE System and Electronic Speed Control (ESC) Arming

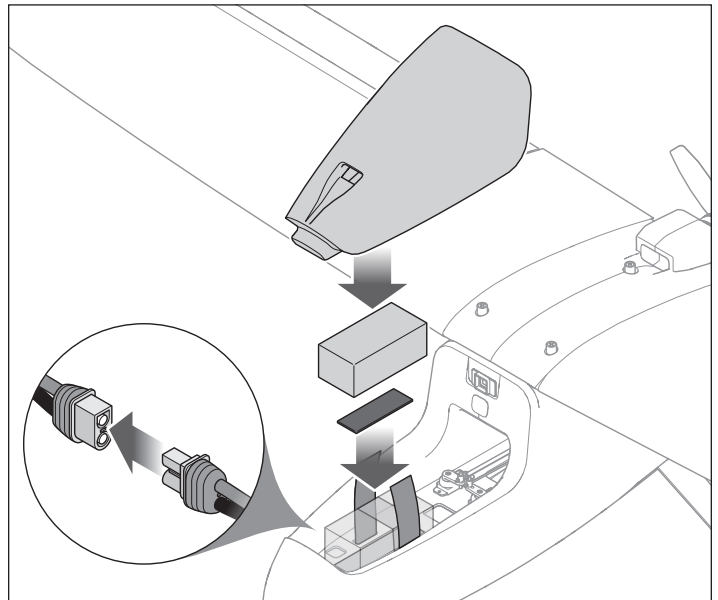
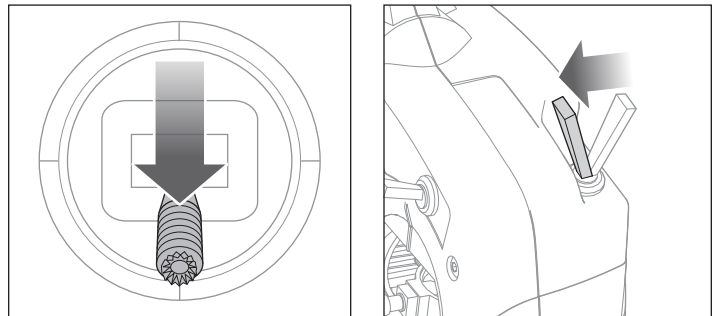
1. Power on the transmitter.
2. Turn on the THROTTLE CUT switch (motor power inactive).
3. Lift at the rear of the battery hatch to remove it from the fuselage.
4. Attach a piece of adhesive-back loop material to the bottom of the battery.
5. Place the battery, loop material down, on the battery tray. The placement of the battery can be adjusted forward or backward to help balance the aircraft.
6. When the battery is properly placed, secure it with the hook and loop.
7. Connect the IC3 battery connector to the ESC, noting proper polarity.

CAUTION: Connecting the battery to the ESC with reversed polarity will cause damage to the ESC, the battery or both. Damage caused by incorrectly connecting the battery is not covered under warranty.

CAUTION: Always keep hands away from the propeller. When armed, the motor will turn the propeller in response to any throttle movement.

8. The control surfaces will cycle as the SAFE system initializes. Initialization is complete when the surfaces stop moving.

CAUTION: Always disconnect the Li-Po flight battery from the aircraft when not flying to avoid over-discharging the battery. Batteries discharged to a voltage lower than the lowest approved voltage may become damaged, resulting in loss of performance and potential fire when batteries are charged.



Center of Gravity (CG)

We recommend watching the “Center of Gravity” chapter/section of the assembly video by scanning this QR code or using this URL: www.horizonhobby.cc/as2assembly.



Assembly Video

CAUTION: Never fly the aircraft without ensuring the center of gravity is within the acceptable range. Failure to properly balance the aircraft can result in loss of control and possible damage. Crash damage is not covered under warranty.

After installing the flight battery and before powering on the ESC, verify the center of gravity is correct. The CG should fall within 60–75mm from the leading edge of the wing, measured at the wing root. However, for the best flight characteristics, the suggested CG location is 75mm behind the leading edge of the wing, measured at the wing root as shown.

The flight battery and canopy must be installed to balance the aircraft correctly. Hold the aircraft upright, with both index fingertips at the suggested CG location, on either side of the fuselage.

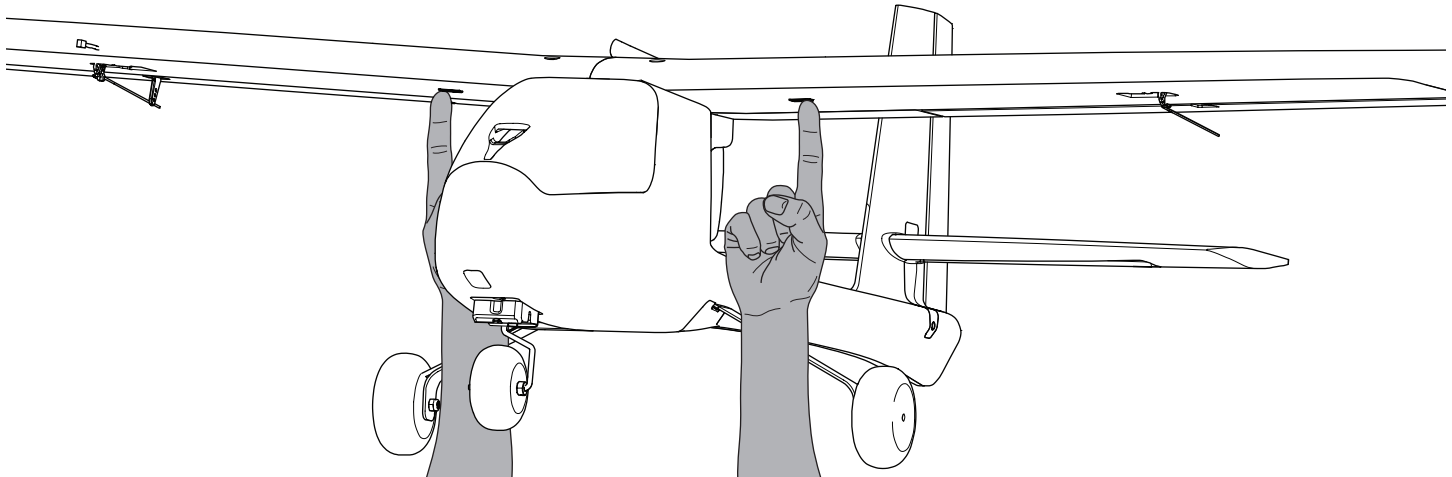
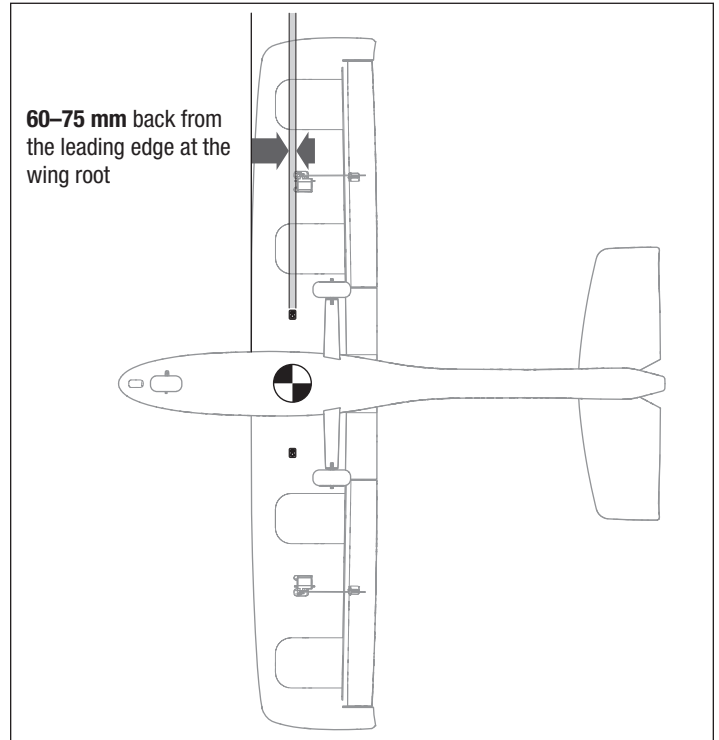
- If the aircraft stays level, the aircraft is balanced on the suggested CG location.
- If the nose tips down, move the flight battery rearward until the aircraft balances level on the suggested CG location.
- If the nose tips up, move the flight battery forward until the aircraft balances level on the suggested CG location.

When flying in beginner mode with the correct CG, the aircraft should climb gradually at full power, and fly level at 50-60% power with no added elevator input.

- If the aircraft CG is too far forward (nose heavy), up elevator is required to fly level at 50-60% power.
- If the aircraft CG is too far aft (tail heavy), down elevator is required to fly level.

Adjust the battery position as needed.

IMPORTANT: All flight trimming should be done in Experienced flight mode, not Beginner or Intermediate flight modes.



Control Direction Test

WARNING: Do not perform this or any other equipment test without turning on throttle cut. Serious injury or property damage could result from the motor starting inadvertently.

If the control surfaces do not respond as shown, **DO NOT FLY**. Refer to the *Troubleshooting Guide* for more information. If you need more assistance, contact the appropriate Horizon Hobby Product Support department.

1. Power on the transmitter.
2. Turn on throttle cut (switch H, position 1).
3. Set the flight mode switch to Experienced Mode (switch B, position 2).

IMPORTANT: Do NOT check the controls in the Beginner or Intermediate Modes (switch B, position 0 or 1).

4. Place the model on level ground away from obstacles.
5. Power on the aircraft, and wait for it to fully initialize.
6. Move the sticks on the transmitter as shown in the table and observe the control surfaces on the aircraft. Ensure the aircraft control surfaces respond as shown and return to neutral when the control input is released.
7. Check for any binding in the control surfaces.
8. With the aircraft on a smooth surface, roll the aircraft forward by hand. Push the rudder trim button on the transmitter left or right until the aircraft tracks straight.

TIP: The transmitter emits a faint beep with each click of the trim buttons in either direction. Holding the button in either direction quickly adjusts the trim several steps until the button is released or until the trim reaches the end of its travel. If the trim button does not beep when clicked, the trim is at the far end of its travel. Center trim is indicated by a slightly louder beep.

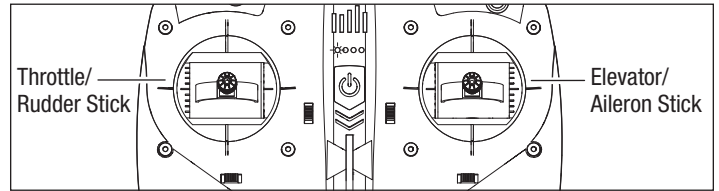
Centering the Control Surfaces

After checking for correct control surface movement and nose wheel alignment, release the transmitter sticks. Check each of the control surfaces to make sure they are centered.

TIP: The nosewheel is centered with the electronic rudder trim. The rudder is then centered manually.

For any surface that is not centered:

9. Slide the retaining sleeve off the clevis.
10. Gently pry the clevis open.
11. Slide the clevis pin out of the control horn.
12. Rotate the clevis on the pushrod to lengthen or shorten the length of the pushrod to adjust the center position of the surface.
13. When the correct position is achieved, slide the clevis pin back into the correct control horn hole.
14. Close the clevis, capturing the control horn between the sides.
15. Slide the retaining sleeve over the clevis to keep the clevis from opening.



	Transmitter Command	Control Surface Response (viewed from the rear)
Elevator		
Aileron		
Rudder		

Before Your First Flight

Before attempting to fly this aircraft for the first time, we strongly recommend using the RealFlight Trainer Edition RC Flight Simulator, included with the RTF Basic version (see the section below on how to utilize the DXS transmitter to control RealFlight) or available separately for the BNF Basic version. Featuring Virtual Flight Instructor lessons, many of the most popular trainer airplane and helicopter models – including the AeroScout S 2 1.1m – plus unlockable reward content including “Next Step” models and fields, RealFlight Trainer Edition is the perfect tool new RC pilots can use to learn to fly in less time and with fewer crashes of their “real” models by practicing on a Microsoft Windows®-equipped PC at home or on a laptop just about anywhere else!



Scan to buy
RealFlight Trainer Edition
or visit: horizonhobby.cc/buyrft



Scan to find a PC
for RealFlight or visit:
horizonhobby.cc/findapcforrft

We also encourage you to connect with experienced RC pilots in your area through hobby shops or at designated flying fields. And for those located in the United States, we recommend joining a national organization such as the Academy of Model Aeronautics (AMA). The AMA can provide information on local clubs, instructors and established flying sites in your area in addition to insurance coverage. Visit www.modelaircraft.org for more information.



Connecting the Included DXS Transmitter To RealFlight (RTF Basic Only)

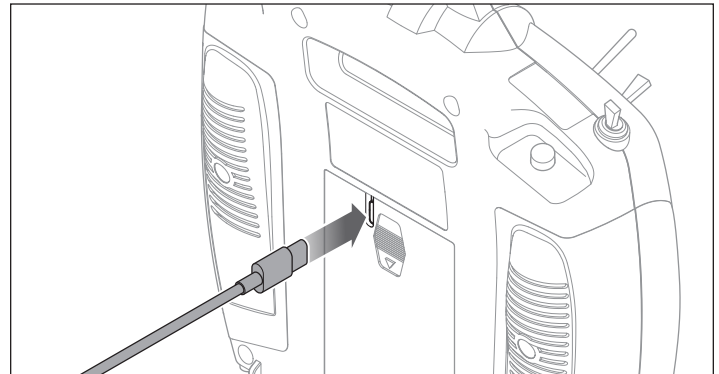
The Spektrum DXS transmitter included with the Ready To Fly Basic version of this aircraft may be used as the controller for the RealFlight RC flight simulator.

TIP: The transmitter can be used with or without batteries when connected to your computer via the included USB adapter cable.

IMPORTANT: Do not power on the DXS prior to or while connected to the PC for use with RealFlight. The transmitter automatically draws power through the USB connection. Powering on the DXS prevents RealFlight from recognizing the transmitter.

To connect the DXS transmitter to the PC and RealFlight via USB:

1. Power **OFF** the DXS.
2. Disconnect any other game controllers from the computer.
3. Insert the USB-C end of the adapter cable into the port in the back of the transmitter.
4. Connect the USB-A end of the adapter to your computer. The DXS automatically powers on.
5. Start RealFlight. RealFlight should recognize the connected DXS controller and be ready for use.



Scan for help using the DXS (or other radios/transmitters/controllers) with RealFlight or visit: horizonhobby.cc/rfcontrollers



Choose a Flying Field

Consult local laws and ordinances before choosing a location to fly your aircraft.

In order to have the most success and to protect your property and aircraft, it is very important to select a place to fly that is very open. We recommend consulting your local hobby shop for information on local flying fields and clubs. For customers in the United States, visit the Academy of Model Aeronautics at www.modelaircraft.org for more information on flying clubs.

Remember, this aircraft can reach significant speeds when flying and will cover ground very quickly. Plan on flying in an area that gives you more space than you think you need, especially during the initial flights.

The chosen flying site should:

- Have a minimum of 1300 feet (400m) of clear space in all directions.
- Be free of trees, buildings, cars, power lines or anything that could entangle your aircraft or interfere with your line of sight.
- Be clear of people and pets.

Range Test

WARNING: While holding the aircraft during the range test, always keep body parts and loose items away from the motor. Failure to do so could cause personal injury.

Before each flying session, and especially with a new model, you should perform a range check.

The included Spektrum DXS transmitter incorporates a range check mode to reduce the output power of the transmitter so you don't have to be as far away from the receiver to check the range. Follow the directions below to enter range check mode for the DXS transmitter:

1. With the throttle stick set to the lowest setting, power on the transmitter for at least 5 seconds.
2. With the help of an assistant to hold the aircraft, connect the aircraft battery to the ESC connector. Keep the aircraft immobile for 5 seconds.
3. Face the model, holding the transmitter in your normal flying position.
4. Press and hold the bind button (button A) and toggle the HI/LO rate switch (switch F) up and down twice. The transmitter RGB LED will flash and the alarm will sound, indicating the system is in range check mode. Do not release the bind button until the range check is complete.

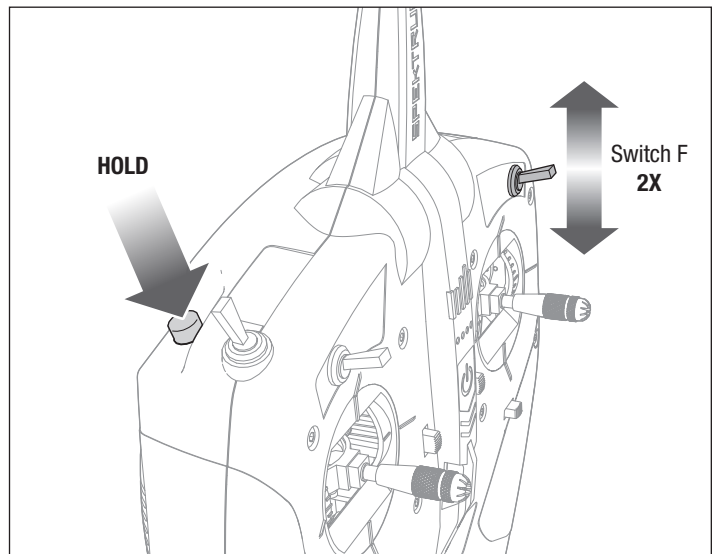
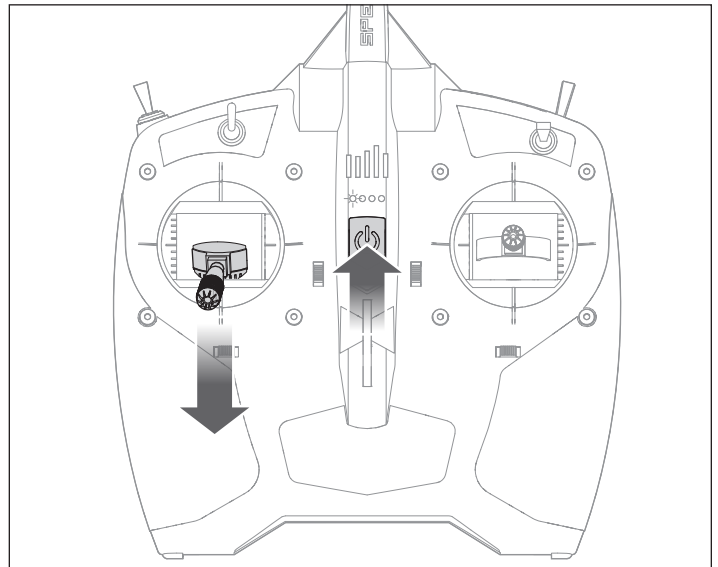
IMPORTANT: You must hold the bind button through the entire range check process. Releasing the button will exit range check mode.

5. With the model firmly restrained on the ground, stand approximately 30 paces away from the model.

TIP: In some aircraft, when the model is placed on the ground, the antenna(s) can be within inches of the ground. Close proximity of the antenna(s) to the ground can reduce the effectiveness of the range check. If you experience issues during the range check, restrain the model on a non-conductive stand or table up to 2ft (60cm) above the ground, then range check the system again.

6. Move the transmitter rudder, elevator, aileron and throttle controls to ensure they operate smoothly at approximately 30 paces. If control issues exist, do not attempt to fly. Refer to the Warranty and Service Contact Information table at the end of this manual to contact Horizon Hobby product support.
7. When the range check is successfully completed, release the bind button to exit range check mode.

CAUTION: Due to reduced output power of the transmitter, NEVER attempt to fly while the transmitter is in range check mode. Loss of control will occur.



Flight Control

IMPORTANT: Even though SAFE technology is a very helpful tool, the aircraft still needs to be flown manually. If incorrect input is given at lower altitudes or at slower speeds, the aircraft can crash. Study these control inputs and the aircraft response to each carefully before attempting your first flight. For first flights, set the SAFE® flight mode switch to Beginner Mode (switch B, position 0). For smooth control of your aircraft, always make small corrections. All directions are described as if you were sitting in the aircraft.

Throttle, Faster or Slower

- Push the throttle stick forward to make the aircraft go faster and climb.
- Pull the throttle stick back to slow down and descend.

Elevator Up and Down

- Pull the elevator stick back to make the nose of the aircraft go up.
- Push the elevator stick forward to make the nose of the aircraft go down.

Aileron Right and Left

- Move the aileron stick right to make the aircraft roll or bank right.
- Move the aileron stick left to make the aircraft roll or bank left.

TIP: Always picture yourself in the aircraft when determining which way to bank the aircraft wings.

- When the aircraft is flying away from you, banking the aircraft right or left appears normal.
- When flying toward you, the aircraft will appear to bank the opposite direction to the control input given. This will become more instinctual with experience.

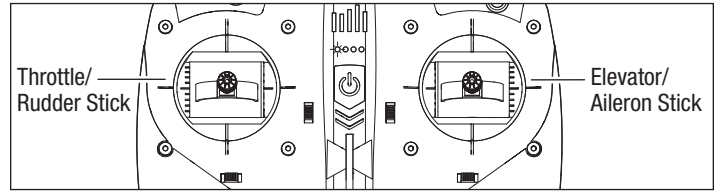
TIP: When flying toward yourself, if one of the wings drops, move the aileron stick toward the low wing to level the aircraft.

Rudder Right and Left

- Push the rudder stick right to yaw the aircraft nose to the right.
- Push the rudder stick left to yaw the aircraft nose to the left.

The rudder stick is also used to steer the aircraft left and right while taxiing on the ground.

TIP: Similar to aileron control, picture yourself in the aircraft to determine which direction to point the nose whether you are flying away from yourself or toward yourself.



	Transmitter Command	Aircraft Response
Elevator		
Aileron		
Rudder		

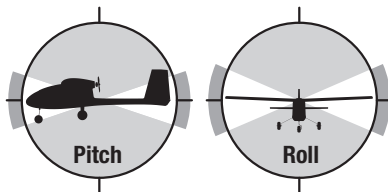
Sensor Assisted Flight Envelope (SAFE) Technology Flight Modes

At any time during a flight you can switch between Beginner, Intermediate and Experienced flight modes or use panic recovery to get your aircraft to a safe flying attitude. Change between flight modes by changing the flight mode switch position.

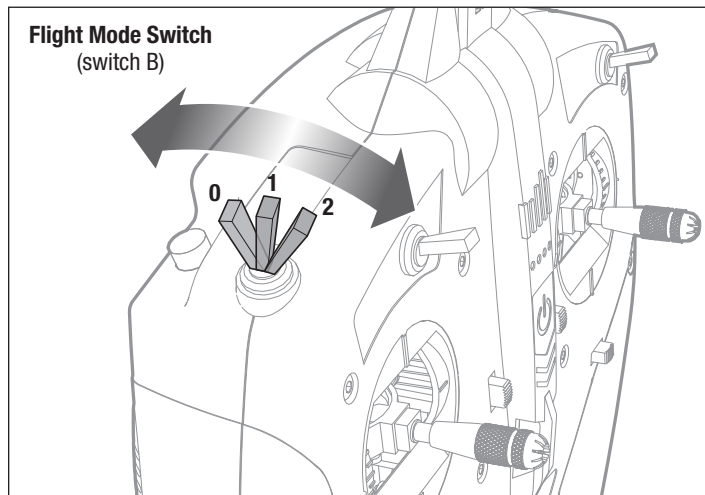
Beginner Mode (switch B, position 0)

Flight envelope limits: Pitch (nose up and down) and Roll (wing tips up and down) angles are limited to help you keep the aircraft airborne.

- **Self-leveling:** when the pitch and roll controls are returned to neutral, the aircraft returns to level flight.
- Stability assisted takeoff and landing.
- Throttle based climb and descent.



Flight Mode Switch
(switch B)

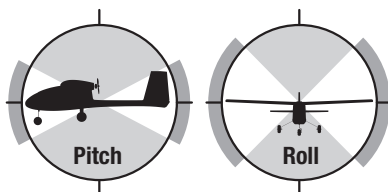


Intermediate Mode (switch B, position 1)

Less flight envelope limits:

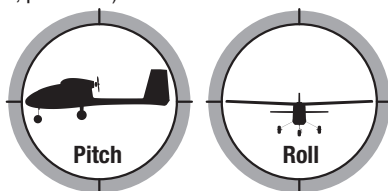
Pitch (nose up and down) and Roll (wing tips up and down) angles are still limited to help you keep the aircraft airborne, but you will have more freedom in pitch and roll.

- **NO self-leveling:** self-leveling is only active in Beginner Mode.



Experienced Mode (switch B, position 2)

NO flight envelope limits: There are no pitch or roll limits, and no self-leveling, so you have complete control! You can even fly inverted (upside down) and perform aerobatic maneuvers including loops, rolls and more.



Panic Recovery

This function is intended to provide you with the confidence to continue to improve your flight skills. If you become disoriented or the aircraft is in an unknown or uncomfortable attitude in any flight mode:

1. Press the Bind/Panic button (button A) on the transmitter and release the control sticks. The aircraft will immediately pull out of a dive and roll wings upright and level.

IMPORTANT: The aircraft will recover to a safer attitude even if sticks are held while holding the Panic button. However, release the control sticks for the quickest recovery.

2. Release the Panic button and continue your flight.

CAUTION: The panic recovery function will not avoid obstacles in the aircraft flight path. Sufficient altitude is required for the aircraft to return to straight and level flight if the aircraft is upside down when the panic function is applied.

Preflight Checklist

1. Practice with RealFlight
2. Charge the flight battery fully
3. Find a safe and open area to fly in
4. ALWAYS turn the transmitter on first
5. Make sure all switches are in the 0 position
6. Lower the throttle/left hand stick to the lowest position
7. Activate Throttle Cut by moving switch H to the 1 position
8. Install a fully charged battery in the aircraft and plug the battery in
9. Keep the aircraft stationary until the receiver initializes and the control surfaces cycle
10. Check to make sure all of the controls (ailerons, elevator, rudder and nose wheel steering) move freely and in the proper directions
11. Carefully place the airplane on the ground for taxi or takeoff
12. Disable Throttle Cut by moving switch H to the 0 position
13. Taxi into position to ALWAYS take off into any wind
14. Take off into the wind by gradually moving the throttle/left hand stick to the highest position
15. Have fun flying!

Scan to watch a video that covers more details of the Preflight Checklist or visit: horizonhobby.cc/as2preflight



Preflight Checklist Video

Flying

This aircraft is relatively easy to fly and helps you apply beginner skills to flying; however, we recommend you get help from a qualified flight instructor for your first radio controlled flights. Some model flying clubs provide flight training at their flying fields. Find a nearby flying club through your local hobby shop. In the U.S., visit the Academy of Model Aeronautics at www.modelaircraft.org for more information on clubs and flight instruction.

Scan to watch a video that shows how to fly the aircraft or visit: horizonhobby.cc/as2flying

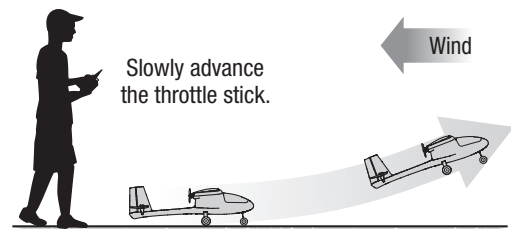


Flying Video

Takeoff

Set the flight mode switch to Beginner mode (switch B, position 0) for your first flights. Set a flight timer for 5 minutes. Adjust the flight timer for later flights, depending on your flight battery choice.

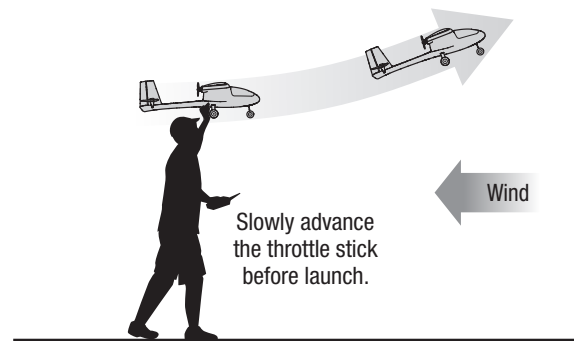
Position the aircraft on the runway, facing into the wind. Slowly advance the throttle to start the takeoff roll into the wind. Small rudder inputs may be required to keep the aircraft headed straight. As the throttle is advanced and sufficient speed is attained the aircraft will begin a slow climb out.



Hand Launch

Once the aircraft is ready for flight, use the following steps.

1. Grip the aircraft under the fuselage, behind the main gear.
2. Slowly advance the throttle to 100%.
3. Throw the aircraft slightly nose up and directly into the wind.



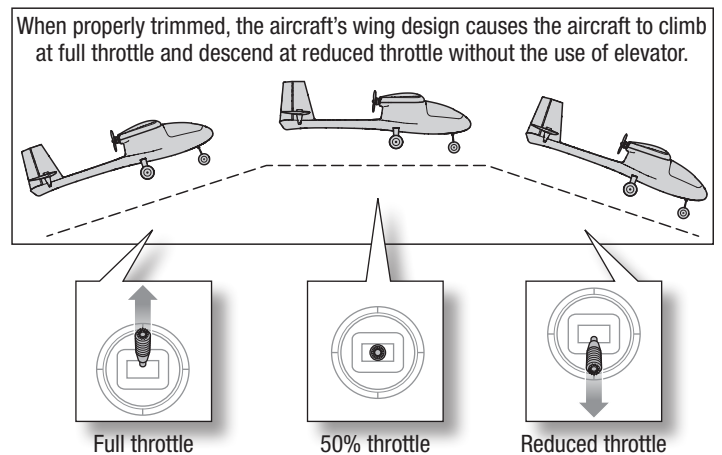
In Flight

Let the aircraft climb at full throttle, into the wind, until the aircraft gets about 100 feet (30m) above the ground, then decrease the throttle to half (50%). Make small and gentle stick movements to see how the aircraft responds. If you lose orientation of the aircraft, press and hold the PANIC button and the aircraft will return to level flight.

As you are flying:

- Fly at a high enough altitude to give yourself time to react to what the aircraft is doing.
- Make small and gentle stick movements to see how the aircraft responds.
- Practice flying in large circles, high off the ground. Flying with the nose pointed toward you is one of the hardest skills to master when learning to fly. Flying in circles will give you experience viewing the aircraft from all angles.
- If you lose orientation of the aircraft, press and hold the Panic Recovery button and release the sticks. The aircraft will return to level flight. Release the button to continue your flight.

NOTICE: If a crash is imminent, activate throttle cut or quickly lower the throttle and throttle trim. Failure to do so could result in greater damage to the airframe, as well as damage to the ESC and motor.



Landing

1. Reduce the throttle to around 50% to slow the airspeed.
2. Fly the aircraft downwind past the end of the runway.
3. Turn the aircraft into the wind and line the aircraft up with the runway center line.
4. Gradually decrease the throttle further to begin descending towards the runway, keeping the wings level during approach. Try to have the aircraft at approximately 10 feet (3 meters) altitude as it passes over the threshold of the runway.
5. As the aircraft passes over the threshold of the runway decrease the throttle.
6. Just as the aircraft is about to touch down, gently pull back on the elevator to raise the nose, or flare, for a gentle landing on the main landing gear. The goal is to be at a low enough speed so the aircraft will not climb when the landing flare is started.

TIP: If the aircraft bounces back into the air, either increase the throttle slightly and ease the aircraft gently back down to the runway, or increase the throttle to full power, climb out and go around to begin the landing process again.

7. Continue using the rudder stick to steer the aircraft straight down the runway, allowing the aircraft to roll to a stop.

NOTICE: If a crash is imminent, activate throttle cut or quickly lower the throttle and throttle trim. Failure to do so could result in greater damage to the airframe, as well as damage to the ESC and motor.

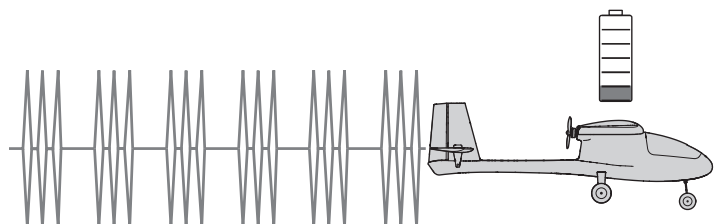
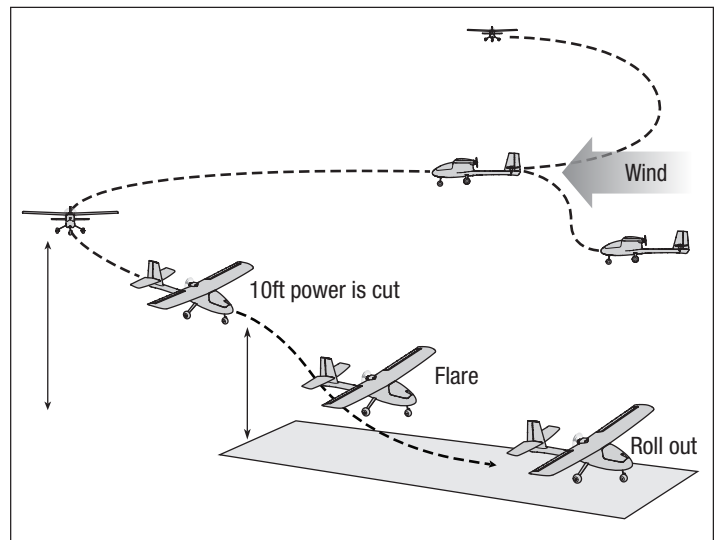
IMPORTANT: When finished flying, never keep the aircraft in the sun. Do not store the aircraft in a hot, enclosed area such as a car. Doing so can damage the foam.

Low Voltage Cutoff (LVC)

Low Voltage Cutoff is a function built into the electronic speed control to protect the battery from over-discharge. When the flight battery charge is low, LVC limits power supplied to the motor so the flight controls receive sufficient energy to safely land the aircraft.

When LVC engages, the aircraft will slow and the motor will begin to pulse. When the motor power decreases, land the aircraft immediately and charge the flight battery.

NOTICE: Repeated flying to the low voltage cutoff will damage the battery.



Trimming the Aircraft

Adjusting Trim in Flight



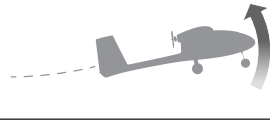

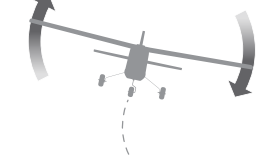

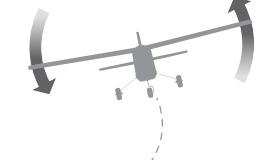



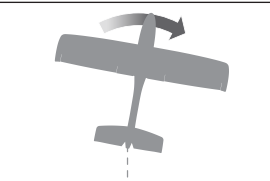

If your aircraft does not fly straight and level at half throttle with the sticks at neutral, fly into the wind and adjust the trim sliders as indicated in the transmitter table until the aircraft maintains a reasonably straight and level flight path.

- Trimming is best done in calm wind conditions.
- The SAFE flight mode switch must be set to Experienced mode (switch B, position 2) before adjusting the trims.

After the aircraft is trimmed in flight, land the aircraft and proceed to the Manually Adjusting Trim section to re-center the servos and set the trim mechanically.

The included DXS transmitter features electronic trim buttons. The transmitter emits a faint beep with each click of the trim buttons in either direction. Holding the button in either direction quickly adjusts the trim several steps until the button is released or until the trim reaches the end of its travel. If the trim button does not beep when clicked, the trim is at the far end of its travel. Center trim is indicated by a slightly louder beep.

TIP: Trim the aircraft at sufficient altitude of about 100' (30 meters). Having an experienced flight instructor trim your aircraft during the first flight is recommended.

	Aircraft Drift	Trim Required
Elevator		 Elevator Trim
		 Elevator Trim
Aileron		 Aileron Trim
		 Aileron Trim
Rudder		 Rudder Trim
		 Rudder Trim

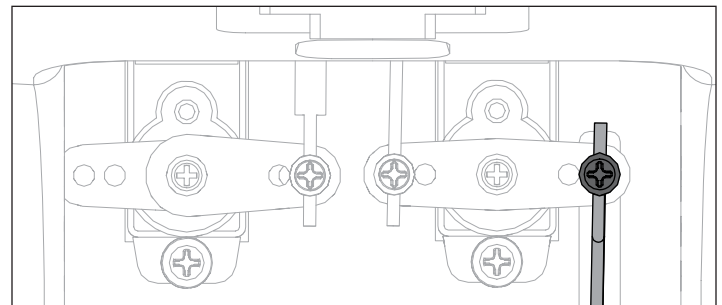
Manually Adjusting Trim

WARNING: Do not perform any maintenance with the propeller installed on the aircraft. Serious injury or property damage could result from the motor starting inadvertently.

The SAFE flight mode switch should be set to Experienced mode (position 2) before manually adjusting the trim settings.

The aircraft should be kept still while performing manual adjustment of trim. With the trim settings from the trim flight still set in the transmitter, take note of the positions of each of the control surfaces, one at a time.

1. Remove the canopy.
2. Using #2 Phillips screwdriver, loosen the screw on top of the easy connector located on the servo arm.
3. Carefully move the linkage forward or rearward, depending upon which direction control surface requires trim adjustment.



Post Flight

- | |
|--|
| 1. Activate Throttle Cut by moving switch H to the 1 position |
| 2. Disconnect and remove the flight battery from the aircraft |
| 3. ALWAYS turn the transmitter off last |
| 4. Repair or replace any damaged parts |
| 5. Store the flight battery apart from the aircraft and monitor the charge level over time |

IMPORTANT: When finished flying, never keep the aircraft in the sun. Do not store the aircraft in a hot, enclosed area such as a car. Doing so can damage the foam.

LiPo battery tips:

- Disconnect and remove the Li-Po battery from the aircraft after use to prevent trickle discharge.
- Charge your Li-Po battery to about half capacity for long term storage.
- During storage, make sure the battery charge does not fall below 3V per cell.
- Always read and follow all safety warnings and guidelines included with your LiPo batteries.

Transmitter and Receiver Binding

Binding is the process of programming the aircraft receiver with the identification code of the transmitter so the receiver will only connect to that specific transmitter.

The included transmitter was bound to the aircraft at the factory. If the aircraft does not respond to transmitter control inputs when the batteries in the aircraft and transmitter are fully charged, the aircraft receiver and transmitter may need to be re-bound.

To re-bind the transmitter and receiver:

1. Power OFF the transmitter
2. Set the throttle stick to the low position and all other controls to neutral.*
Ensure the aircraft is immobile.

IMPORTANT: The throttle will not arm if the transmitter's throttle control is not put at the lowest position.

3. Connect the flight battery to the ESC. The receiver will begin to flash orange.
4. An extension is installed in the receiver bind port. You may bind through the battery hatch at the front of the aircraft without having to remove the wing assembly. Simply insert the bind plug in the open end of the extension to enter bind mode.
5. Press and hold the bind button (button A) on the transmitter while powering ON the transmitter.
6. When the receiver binds to the transmitter, the receiver LED will glow solid, and the aircraft will begin the initialization process, indicated by the control surfaces cycling.
7. Remove the bind plug from the bind port extension and store in a safe place. Once properly bound, the receiver and transmitter will retain their bind for future flights.

If you encounter problems, refer to the troubleshooting guide. If necessary, contact the appropriate Horizon Hobby product support office.

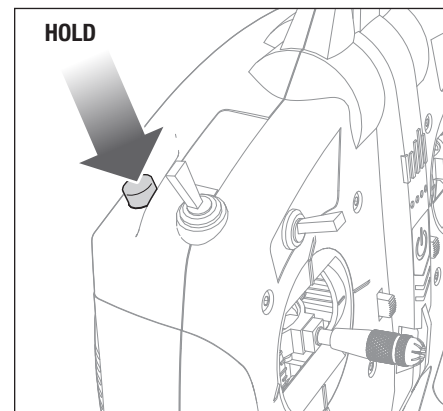
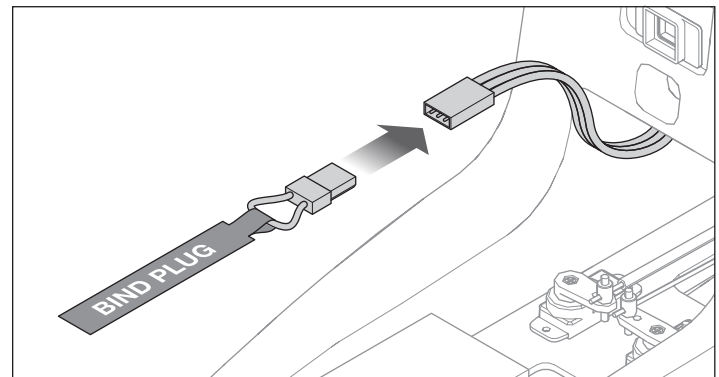
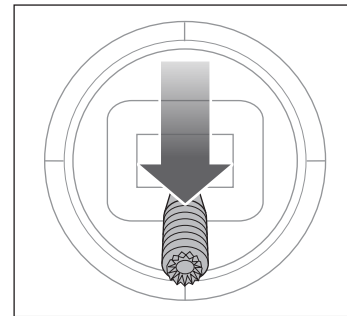
* Failsafe

The receiver stores the position of the transmitter throttle control at the time of binding as the failsafe position. If the receiver should ever lose communication with the transmitter, the failsafe function will activate. Failsafe moves the throttle channel to its preset failsafe position (low throttle) that was stored during binding. All other control channels move to put the aircraft in a slowly descending circle until radio link is re-established.

Scan to watch a video that covers more details of the Post Flight Checklist or visit: horizonhobby.cc/as2postflight



Post Flight Checklist Video



Flight Training

To the new pilot:

This aircraft is easy to fly and helps you apply beginner skills to flying; however, we recommend you get help from a qualified flight instructor for your first radio controlled flights. Some model flying clubs provide flight training at their flying fields. Find a nearby flying club through your local hobby shop. In the U.S., visit the Academy of Model Aeronautics at www.modelaircraft.org for more information on clubs and flight instruction.

To the flight instructor:

Feel free to experiment with the SAFE technology before instructing your student on this aircraft. The progressive switch positions in the SAFE technology are intended for a new pilot to learn with minimal instructor assistance. We recommend using Flight Mode Switch Position 1 to instruct a new pilot. Switch positions 0 and 2 may stabilize the aircraft more or less than desired for instruction purposes.

DXS Wireless Trainer Feature

Your DXS transmitter may be connected wirelessly to another transmitter through the SRXL2 DSMX Remote Receiver (SPM9747, sold separately). The DXS transmitter is ideal as the instructor transmitter as it is compatible with all Spektrum transmitters when using this feature. Servo reversing and trims must be the same on both transmitters.

This “buddy box” approach has helped many new pilots get the feel for aircraft control with the close assistance of a flight instructor. Connecting two transmitters enables your flight instructor to hold the master transmitter while you hold the slave transmitter. While you learn to fly, the instructor holds the trainer switch to give you control of the aircraft. If you need help, the flight instructor can release the switch to take control.

IMPORTANT: If a transmitter other than the included DXS is used as the instructor or student transmitter, refer to Buddy Box Setup section below.

Remote Receiver Installation

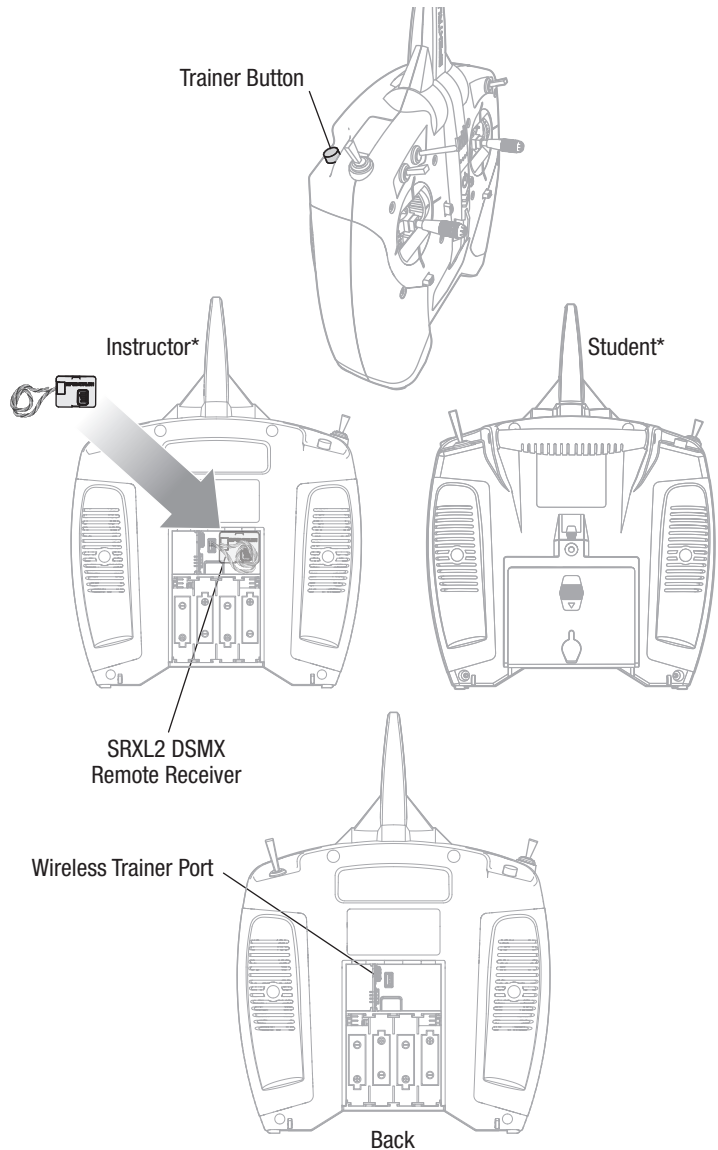
1. Open the battery door.
2. Connect the remote receiver cable to the wireless trainer port.
3. Install the remote receiver in the cavity behind the battery door with double sided tape.

Buddy Box Setup

IMPORTANT: Use these settings for an Instructor or Student transmitter if using the buddy box option for training on any transmitter other than the included DXS. Failure to do so will prevent the SAFE technology flight modes from working correctly.

The transmitter must be configured using the Transmitter Setup and Buddy Box setup charts.

Student* Transmitter Setup		Student Setup
Student Transmitter		Student Setup
DX4e, DX5e (2pos)		Factory Trainer Settings
DX4e, DX5e (3pos)		Factory Trainer Settings
DXe		Factory Trainer Settings
DX6i		Factory Trainer Settings
DX7		Factory Trainer Settings
DX6	DX9	Factory Trainer Settings
DX7s	DX10t	
DX7(G2)	DX18	
DX8	DX20	
DX8(G2)		



Instructor* Transmitter Setup		Instructor Setup
Instructor Transmitter		Instructor Setup
DX4e, DX5e (2pos)		Factory Trainer Settings
DX4e, DX5e (3pos)		Factory Trainer Settings
DXe		Factory Trainer Settings
DX6i		Factory Trainer Settings
DX7		Trainer to Normal
DX6	DX9	Activate Programmable Master and insure channels Thru - Aux 1 are set to student.
DX7s	DX10t	
DX7(G2)	DX18	
DX8	DX20	
DX8(G2)*		

* Some transmitters with older versions of Spektrum Airware software may use different terminology to describe the Student and Instructor functions.

Smart Transmitter File (STF) Loading Option

The receiver installed in the aircraft contains an AS3X+/SAFE setup file developed specifically for this aircraft. This Smart Transmitter File (STF) allows you to quickly import the transmitter settings directly from the receiver during the binding process.

To use a Spektrum transmitter other than the DXS included in the RTF Basic version of the aircraft, use either the Smart Transmitter File available in the receiver, or the setup table in the *Manual Transmitter Setup* section which corresponds to your transmitter, DX, NX or iX series, to program your chosen transmitter.

To load the Smart Transmitter File:

1. Turn on the transmitter.
2. Create a new blank model file on the transmitter.
3. Power on the receiver.
4. Press the bind button on the receiver.
5. Put the transmitter into bind mode: the model will bind normally.
6. Once the bind is complete, the download screen appears:
7. Select **LOAD** to continue.

The following screen is a warning that downloading overwrites all settings of the currently selected model. If this is a new blank model, the file populates the transmitter parameters into the active model and renames it Aeroscout S 2 1.1m.

NOTICE: Confirming will override any previously saved transmitter setups.

8. Press **CONFIRM** to continue.

The file is installed on the transmitter and the telemetry information loads automatically when the download is complete. The radio returns to the home screen, and the new model name is displayed.

The transmitter setup is now complete, and the aircraft is ready to fly.

Important Notes

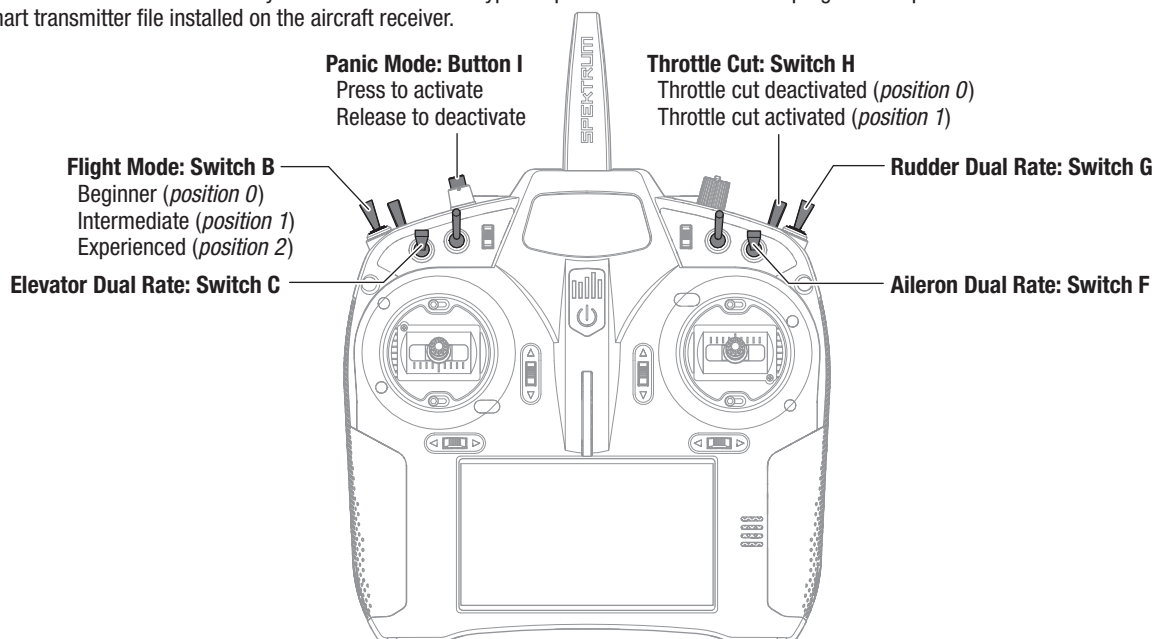
Flight Timer

The STF does not populate a flight timer in the transmitter. The voltage monitor provides transmitter alerts when battery voltage drops to just above the LVC, indicating it is time to land. The transmitter alert is set so there is time to land before the ESC begins to surge (pulse) when LVC is reached. This method takes flying style and throttle use into account and is more precise than a timer alone.

If you are not using the STF, set a timer for 5 minutes when using the recommended battery. Monitor the battery usage and adjust the timer after the initial flights to best suit your flying style.

STF and Manual Transmitter Setup Switch Layout

The following illustration shows the switch layout and functions on a typical Spektrum transmitter when programmed per the manual transmitter setup tables or utilizing the Smart transmitter file installed on the aircraft receiver.



Smart Transmitter File	
The receiver contains a pre-loaded Smart Transmitter file. RX Version: HBZ380002 1.0.0	
Do you want to load the file from the receiver	
SKIP	LOAD

NOTICE	
This WILL overwrite ALL current model settings.	
If stock BNF model hardware has changed, the receiver's file may not work properly- Do not use without checking everything.	
Do you want to load the file from the receiver	
BACK	CONFIRM

Supported Transmitters, and firmware requirements

- All NX Radios (with firmware version 4.0.11+)
- iX14 (with app version 2.0.9+)
- iX20 (with app version 2.0.9+)
- iX12 and DX radios do not currently support Smart Transmitter File transfers.

Manual Transmitter Setup/Programming Option

To use a Spektrum transmitter other than the included DXS, use the setup table which corresponds to your transmitter series, DX, NX or iX series, to program the transmitter.

IMPORTANT: After you set up your model, always rebind the transmitter and receiver to set the desired failsafe positions.

For the first flight, set the flight timer to 5 minutes when using a 3S 1300mAh battery. Adjust the time after the initial flight.

Dual Rates

Attempt your first flights in low rate. For landings, use high rate elevator.

NOTICE: To ensure AS3X+ technology functions properly, do not lower rate values below 50%. If less control deflection is desired, manually adjust the position of the pushrods on the servo arm.

NOTICE: If oscillation occurs at high speed, refer to the Troubleshooting Guide for more information.

Exponential

After first flights, adjust the exponential settings in the transmitter to fine tune the responsiveness of the aircraft around neutral to your preference.

NX Series Transmitter Setup
1. Power ON your transmitter, click on scroll wheel, roll to System Setup and click the scroll wheel. Choose yes.
2. Go to Model Select and choose <Add New Model> near the bottom of the list. Select Airplane Model Type by choosing the airplane, select Create
3. Set Model Name: Input a name for your model file
4. Go to Channel Assign 5 <i>Gear:</i> Change A to Switch B 6 <i>Aux1:</i> Change D to Button I Click List to exit
5. Select <Main Screen> , Click the scroll wheel to enter the Function List
6. Go to D/R (Dual Rate) and Expo; <i>Channel:</i> Aileron Set <i>Switch:</i> Switch F Set Switch Positions 0 and 1: <i>Rate 100%, Expo 10%</i> Set Switch Position 2: <i>Rate 70%, Expo 5%</i>
7. Go to D/R (Dual Rate) and Expo; <i>Channel:</i> Elevator Set <i>Switch:</i> Switch C Set Switch Positions 0 and 1: <i>Rate 100%, Expo 10%</i> Set Switch Position 2: <i>Rate 70%, Expo 5%</i>
8. Go to D/R (Dual Rate) and Expo; <i>Channel:</i> Rudder Set <i>Switch:</i> Switch G Set Switch Positions 0 and 1: <i>Rate 100%, Expo 10%</i> Set Switch Position 2: <i>Rate 70%, Expo 5%</i>
9. Select List to go back to the Function List
10. Select Throttle Cut; <i>Switch:</i> Switch H; Position: -100%

DX Series Transmitter Setup
1. Power ON your transmitter, click on scroll wheel, roll to System Setup and click the scroll wheel. Choose yes.
2. Go to Model Select and choose <Add New Model> at the bottom of the list. The system asks if you want to create a new model, select Create
3. Set Model Type: Select Airplane Model Type by choosing the airplane. The system asks you to confirm model type, data will be reset. Select YES
4. Set Model Name: Input a name for your model file
5. Select <Main Screen> , Click the scroll wheel to enter the Function List
6. Go to D/R (Dual Rate) and Expo; <i>Channel:</i> Aileron Set <i>Switch:</i> Switch F Set Switch Positions 0 and 1: <i>Rate 100%, Expo 10%</i> Set Switch Position 2: <i>Rate 70%, Expo 5%</i>
7. Go to D/R (Dual Rate) and Expo; <i>Channel:</i> Elevator Set <i>Switch:</i> Switch C Set Switch Positions 0 and 1: <i>Rate 100%, Expo 10%</i> Set Switch Position 2: <i>Rate 70%, Expo 5%</i>
8. Go to D/R (Dual Rate) and Expo; <i>Channel:</i> Rudder Set <i>Switch:</i> Switch G Set Switch Positions 0 and 1: <i>Rate 100%, Expo 10%</i> Set Switch Position 2: <i>Rate 70%, Expo 5%</i>
9. Select List to go back to the Function List
10. Select Throttle Cut; <i>Switch:</i> Switch H; Position: -100%

iX Series Transmitter Setup
1. Power ON your transmitter and begin once the Spektrum Airware app is open. Select the orange pen icon in the upper left corner of the screen, the system asks for permission to Turn Off RF , select PROCEED
2. Select the three dots in the upper right corner of the screen, select Add a New Model
3. Select Model Option, choose DEFAULT , select Airplane . The system asks if you want to create a new acro model, select Create
4. Select the last model on the list, named Acro . Tap on the word Acro and rename the file to a name of your choice
5. Tap and hold the back arrow icon in the upper left corner of the screen to return to the main screen
6. Go to Model Setup; Select Channel Assign , select PROCEED 5 <i>Gear:</i> Switch B 6 <i>Aux1:</i> Switch I Press and hold the back arrow icon in the upper left corner of the screen to return to the main screen
7. Go to the Model Adjust menu
8. Select Dual Rates and Expo; <i>Channel:</i> Aileron <i>Switch:</i> Switch F Set Switch Positions 0 and 1: <i>Rate 100%, Expo 10%</i> Set Switch Position 2: <i>Rate 70%, Expo 5%</i>
9. <i>Channel:</i> Elevator <i>Switch:</i> Switch C Set Switch Positions 0 and 1: <i>Rate 100%, Expo 10%</i> Set Switch Position 2: <i>Rate 70%, Expo 5%</i>
10. <i>Channel:</i> Aileron <i>Switch:</i> Switch G Set Switch Positions 0 and 1: <i>Rate 100%, Expo 10%</i> Set Switch Position 2: <i>Rate 70%, Expo 5%</i>
11. Tap the back arrow to return to the Model Adjust menu
12. Select Throttle Cut; <i>Switch:</i> Switch H; Position: -100%

Smart Technology Electronic Speed Control (ESC)

The AeroScout S 2 1.1m is equipped with an exclusive Smart technology electronic speed control that can provide a variety of real-time power system related telemetry data while you fly, including motor RPM, current, battery voltage and more to compatible Spektrum AirWare™ equipped transmitters. When powered on, the ESC will send the below information to the flight control and the information will be displayed on the transmitter telemetry screen.

- RPM*
- Voltage
- Current
- Throttle
- FET Temperature
- BEC Temperature

*For the RPM telemetry information to display correctly, you must program the motor pole count into the Telemetry settings of your transmitter. The AeroScout S 2 1.1m uses a 14-pole motor.

To program the motor pole count information:

1. Power on your transmitter.
2. Set the throttle cut to on.
3. Power on the aircraft and allow it to initialize.
4. In your transmitter, go to the **Function List (Model Setup)** in iX series transmitters).
5. Select the **Telemetry** menu option.

Service and Repairs

WARNING: Do not perform this or any other equipment maintenance with the propeller installed on the aircraft. Serious injury or property damage could result from the motor starting inadvertently.

NOTICE: Crash damage is not covered under warranty.

NOTICE: After any impact or replacement always ensure the receiver is secure in the fuselage. If you replace the receiver, install the new receiver in the same location and orientation as the original or damage may result.

Repairs to the foam can be made using virtually any adhesive (hot glue, regular CA [cyanoacrylate adhesive], epoxy, etc).

Use of CA accelerator on the aircraft can damage paint. DO NOT handle the aircraft until accelerator fully dries.

When damaged parts are not repairable, see the Replacement Parts list for ordering by item number.

ESC Status

```

RPM: 0
Volts: 0.0V
Motor: 0.0A      0% Output
Throttle: 0%
Fet Temp: 0.0C
BEC: 0.0C      0.0A  0.0V
  
```

6. Go to the **ESC** menu option.
7. Scroll down to **Poles**.
8. Enter **14** (for iX series transmitters, you must click save to save your changes).
9. Return to the main screen.

Power Components Service

WARNING: Always disconnect the flight battery from the model before removing the propeller.

Disassembly

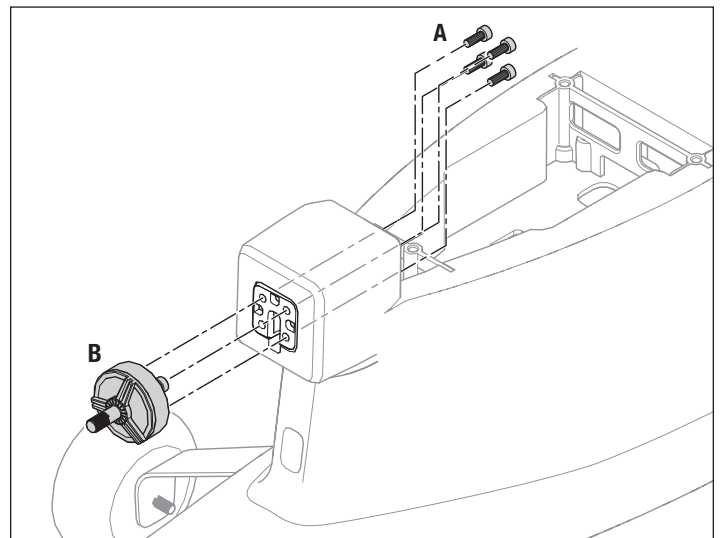
1. Remove the wing from the aircraft.
2. Use a long 2.5mm hex driver inside the motor pod to remove the four screws **(A)** from the motor mount.
3. Disconnect the 3 motor wires from the ESC, and pull the motor **(B)** from the mount.

Assemble in reverse order.

If, after assembly, the motor spins in the wrong direction, switch the connections of any two of the three motor wires.


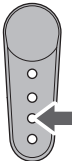
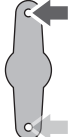
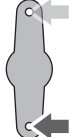


Assembly Tips

- If, after assembly, the motor spins in the wrong direction, switch the connections of any two of the ESC/motor wires.
- The raised lettering on the propeller must face forward for correct propeller operation.



Factory Settings for the Control Horns and Servo Arms

The illustration shows recommended hole settings in the servo arms and control horns.

	Elevator	Ailerons	Rudder	Nose Gear
Arms				
Horns				

Flying with the Optional Float Set

IMPORTANT: Only install the floats if you are comfortable flying your aircraft and have repeatedly taken off, flown and landed with success. Flying off water poses a higher risk to the aircraft because the electronics can fail if fully immersed in water.

Always ensure the floats are correctly secured to the fuselage prior to taxiing or attempting takeoff.

To taxi on water:

- Use throttle to move the aircraft forward and steer with the rudder stick.
- The aircraft will naturally try to face into the wind when taxiing. Taxi 45 degrees into the direction of the wind, if necessary, never perpendicular to the wind. The aircraft may flip over if wind gets under the upwind wing.
- Use aileron to hold the upwind wing down.

To take off from water:

- Steer with the rudder to turn into the wind and slowly increase the throttle.
- Keep the wings level on the takeoff run.
- Hold a small amount (1/4–1/3) of up elevator.
- The aircraft will lift off once flying speed is reached.

To land on water:

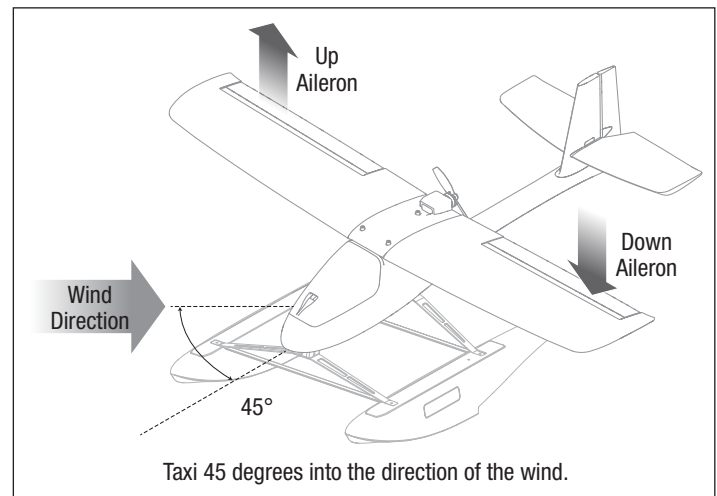
- Determine where and in which direction you wish to land, preferably into the wind.
- Fly down to a couple of feet off the surface of the water.
- Reduce throttle and add up elevator to flare the aircraft and set down gently on the surface.

WARNING: NEVER attempt to retrieve a downed aircraft from the water alone. Always enlist assistance and use any available safety flotation devices.

Always fully dry the aircraft after flying from water.

IMPORTANT: If water splashes into the fuselage at any time, bring the airplane to shore, open the battery hatch and immediately remove the water. Leave the battery hatch open overnight to let the inside dry and to prevent moisture damage to the electronic components.

CAUTION: Never attempt to fly the aircraft if the electronic components are wet. Failure to fully dry the aircraft can cause the electronic components to fail, which could result in a crash.



AS3X® System Trouble Shooting Guide

Problem	Possible Cause	Solution
Trim change when flight mode is switched	Trim is not at neutral	If you need to adjust the trim more than 8 clicks, return the trim to neutral and manually adjust the clevis to center the trim
	Sub-Trim is not at neutral	Do not use Sub-Trim. Adjust the servo arm or the clevis

Troubleshooting Guide

Problem	Possible Cause	Solution
Aircraft does not operate	No link between the transmitter and receiver	Re-Bind the system following directions in this manual
	Transmitter AA batteries are depleted or installed incorrectly as indicated by a dim or unlit LED on the transmitter or the low battery alarm	Check polarity installation or replace with fresh AA batteries
	No electrical connection	Push connectors together until they are secure
	Flight battery is not charged	Fully charge the battery
	Crash has damaged the radio inside the fuselage	Replace the fuselage or receiver
Aircraft keeps turning in one direction	Rudder or rudder trim is not adjusted correctly	Adjust stick trims, then land and manually adjust aileron and/or rudder linkages so no transmitter trim is required
	Aileron or aileron trim is not adjusted correctly	Adjust stick trims or manually adjust aileron positions
Aircraft is difficult to control	Wing or tail is damaged	Replace damaged part
	Damaged Rotor	Land immediately and replace damaged Rotor
	Center of gravity is behind the recommended location	Shift battery forward, do not fly until correct Center of Gravity location is achieved
Aircraft nose rises steeply at half throttle	Wind is too gusty or strong	Postpone flying until the wind calms down
	Elevator is trimmed 'up' too much	If trim must be adjusted more than 4 clicks when pushing the trim button, adjust push rod length
	Battery is not installed in the correct position.	Move forward approximately 1/2"
Aircraft will not climb	Battery is not fully charged	Fully charge battery before flying
	Elevator may be trimmed 'down'	Adjust elevator trim 'up'
	Rotor damaged	Land immediately, replace Rotor
Aircraft is difficult to launch in the wind	Launching the aircraft down wind or into a cross wind	Always launch the aircraft directly into the wind
Flight time is too short	Battery is not fully charged	Recharge battery
	Flying at full throttle for the entire flight	Fly at just above half throttle to increase flying time
	Wind speed too fast for safe flight	Fly on a calmer day
	Rotor damaged	Replace Rotor
Aircraft vibrates	Rotor, spinner or motor damaged	Tighten or replace parts
Rudder, ailerons or elevator do not move freely	Damaged or blocked push rods or hinges	Repair damage or blockage
Aircraft will not Bind (during binding) to transmitter	Transmitter is too near aircraft during binding process	Move powered transmitter a few feet from aircraft, disconnect and reconnect battery to aircraft
	Aircraft or transmitter is too near a large metal object, wireless source or another transmitter	Move the aircraft and transmitter to another location and attempt binding again
	Flight battery/transmitter battery charge is too low	Replace/recharge batteries
Aircraft will not connect (after binding) to transmitter	Transmitter is too near aircraft during connecting process	Move powered transmitter a few feet from aircraft, disconnect and reconnect battery to aircraft
	Aircraft or transmitter is too near a large metal object, wireless source or another transmitter	Move the aircraft and transmitter to another location and attempt connecting again
	Aircraft battery/Transmitter battery charge is too low	Replace/recharge batteries
	Transmitter may have been bound to a different model (using different DSM Protocol)	Bind aircraft to transmitter
After being properly adjusted, aileron and/or rudder are not in neutral position when battery is plugged in	Model was moved during initial power on	Unplug flight battery and reconnect, keeping model immobile for at least 5 seconds

Replacement Parts

Part #	Description
HBZ3801	Fuselage with Elev/Rudder Servos: AeroScout
HBZ3802	Hatch: AeroScout
HBZ3803	Wing Set with Servos installed: AeroScout
HBZ3804	Horizontal Stabilizer Set: AeroScout
HBZ3805	Nose Gear with Wheel: AeroScout
HBZ3806	Main Landing Gear Set w/Wheels: AeroScout
HBZ3807	Prop (2) with Prop Hub: AeroScout
HBZ3809	2306-2250 14-Pole Motor w/Nut, Spacer, Bolts: AeroScout
HBZ3810	Hardware Set: AeroScout
HBZ3814	Servo Arm Set; AeroScout 1.1m
RFL1205D	RealFlight Trainer Edition Steam Download No Box
SPM-1031	AR631+ 6 Channel AS3X+ & SAFE Receiver
SPMA5000	DXS USB Simulator Adapter
SPMR1010	DXS Transmitter Only
SPMSA390	8g Servo: AeroScout
SPMSA392	13g Sub-Micro Metal Gear Servo
SPMXAE30B	Avian 30-Amp Smart Lite Brushless ESC; 3S-4S IC3

Glossary of Important Terms

Aileron: Control surface found on the trailing edge of each wing. Giving right aileron control causes the right aileron to deflect up and the left aileron to deflect down, making the aircraft roll to the right. Giving left aileron control causes the left aileron to deflect up and the right aileron to deflect down, making the aircraft roll left.

AS3X: Active Stabilization, 3-Axis. An electronic stability system that counters outside forces such as wind, turbulence, torque, tip-stall, control sensitivity issues due to CG position, to make the aircraft fly more smoothly, and provide a better flying experience.

Binding: The process of electronically linking the transmitter to the receiver. The aircraft will then recognize only a particular transmitter.

Center of Gravity (CG): Point at which the aircraft balances, most notably from front to back.

Clevis: The U-shaped connector at the end of the aircraft pushrod which allows adjustment of the pushrod length.

Control Throw: The distance a control surface deflects, normally measured from the widest point of the control surface.

Dual Rate: Setting found in the transmitter which allows two different control throw distances when the control stick is deflected fully. Using a low rate gives less control throw at full deflection and thus a less sensitive feel to the aircraft. Using high rate gives greater control throw at full deflection and thus a more sensitive feel to the aircraft.

Elevator: Control surface found on the trailing edge of the horizontal stabilizer. Up elevator causes the aircraft to pitch up. Down elevator causes the aircraft to pitch down.

Electronic Speed Control (ESC): an electronic device that controls and regulates the speed of the motor. It has connections from the battery, to the motor, and to the Receiver.

Exponential: A setting programmed in the transmitter which allows the pilot to tailor the sensitivity of the controls around neutral. Increasing the exponential value creates a softer control feel around neutral, thus making the aircraft less sensitive to control inputs. Exponential only affects the controls around neutral.

Recommended Parts

Part #	Description
SPMX223S30	2200mAh 3S 11.1V Smart G2 LiPo 30C; IC3
SPMXC2050	S155 55W AC G2 Smart Charger
SPMXPSA200	Smart G2 Air Powerstage Bundle 2

Optional Parts

Part #	Description
HBZ-4027	AeroScout Blue Decal Sheet
HBZ3811	Float Set: AeroScout 1.1m
SPMA9500	Sky Remote ID Module
SPMR7110	NX7e+ 7 Channel Transmitter Only
SPMX13003S30M	1300mAh 3S 11.1V Smart LiPo Battery 30C IC3
SPMX22003S30	2200mAh 3S 11.1V Smart Li-Po 30C; IC3
SPMXBC200	XBC200 Smart Battery Checker & Servo Tester
SPMXC2050	S155 55W AC G2 Smart Charger
SPMXC2080	Smart S1100 AC Charger, 1x100W
SPMXC2090	Smart S100 G2 USB-C Charger

Low Voltage Cutoff (LVC): A safety feature built into the electronic speed control which activates when the battery voltage drops below a determined level, cutting power to the motor, but still providing power to the receiver and servos, allowing the aircraft to be landed safely.

Pitch: The rotation of the aircraft nose up or down, controlled by the elevator.

Range Test: Test to check the transmitter and receiver are functioning properly. The test is done by setting the transmitter to a low-power mode and testing the control function from a set distance.

Receiver: an electronic device installed in the aircraft which decodes the control inputs sent from the transmitter and sends the inputs to the servos.

Roll: Left and right rotation of the aircraft around the longitudinal axis.

Rudder: Control surface found on the trailing edge of the vertical stabilizer. Right rudder control causes the nose of the aircraft to turn to the right. Left rudder causes the nose of the aircraft to turn left.

Sensor-Assisted Flight Envelope (SAFE) Technology: Offers smoother flight capability that battles windy conditions for you and multiple modes so you can fly with the level of protection and assistance that suits any given moment of the flight.

Servo: Electronic component which translates the control signals from the receiver into movement of a control surface. The servo is connected to the control surface with a pushrod.

Stabilator: An all-moving horizontal stabilizer for pitch control.

Throttle: Control input which regulates the speed of the motor. A higher throttle setting makes the motor rotate faster, thus increasing forward thrust. A lower throttle setting makes the motor rotate slower, thus decreasing forward thrust.

Transmitter: Control unit held by the pilot which sends signals to the aircraft.

Yaw: Left or right rotation of the aircraft nose, controlled by the rudder.

Important Federal Aviation Administration (FAA) Information

Recreational UAS Safety Test



Use the QR code to learn more about the Recreational UAS Safety Test (TRUST), as was introduced by the 2018 FAA Reauthorization Bill. This free test is required by the FAA for all recreational flyers in the United States. The completed certificate must be presented upon request by any FAA or law enforcement official.

FAA DroneZone



If your model aircraft weighs more than .55lbs or 250 grams, you are required by the FAA to register as a recreational flyer and apply your registration number to the outside of your aircraft. To learn more about registering with the FAA, use the QR code.

Remote ID Regulations



According to FAA regulation, all unmanned aircraft over .55lbs (250 grams), flying in United States airspace are required to either fly within an FAA-Recognized Identification Area (FRIA) or continually transmit an FAA-registered remote identification from a Remote ID broadcast module, such as the Spektrum™ Sky™ Remote ID module (SPMA9500). Use the QR code to learn more about the FAA Remote ID regulations.

AMA National Model Aircraft Safety Code

Effective January 1, 2018

A model aircraft is a non-human-carrying device capable of sustained flight within visual line of sight of the pilot or spotter(s). It may not exceed limitations of this code and is intended exclusively for sport, recreation, education and/or competition. All model flights must be conducted in accordance with this safety code and related AMA guidelines, any additional rules specific to the flying site, as well as all applicable laws and regulations.

As an AMA member I agree:

- I will not fly a model aircraft in a careless or reckless manner.
- I will not interfere with and will yield the right of way to all human-carrying aircraft using AMA's See and Avoid Guidance and a spotter when appropriate.
- I will not operate any model aircraft while I am under the influence of alcohol or any drug that could adversely affect my ability to safely control the model.
- I will avoid flying directly over unprotected people, moving vehicles, and occupied structures.
- I will fly Free Flight (FF) and Control Line (CL) models in compliance with AMA's safety programming.
- I will maintain visual contact of an RC model aircraft without enhancement other than corrective lenses prescribed to me. When using an advanced flight system, such as an autopilot, or flying First-Person View (FPV), I will comply with AMA's Advanced Flight System programming.
- I will only fly models weighing more than 55 pounds, including fuel, if certified through AMA's Large Model Airplane Program.
- I will only fly a turbine-powered model aircraft in compliance with AMA's Gas Turbine Program.
- I will not fly a powered model outdoors closer than 25 feet to any individual, except for myself or my helper(s) located at the flightline, unless I am taking off and landing, or as otherwise provided in AMA's Competition Regulation.
- I will use an established safety line to separate all model aircraft operations from spectators and bystanders.

Limited Warranty

What this Warranty Covers

Horizon Hobby, LLC, (Horizon) warrants to the original purchaser that the product purchased (the "Product") will be free from defects in materials and workmanship at the date of purchase.

What is Not Covered

This warranty is not transferable and does not cover (i) cosmetic damage, (ii) damage due to acts of God, accident, misuse, abuse, negligence, commercial use, or due to improper use, installation, operation or maintenance, (iii) modification of or to any part of the Product, (iv) attempted service by anyone other than a Horizon Hobby authorized service center, (v) Product not purchased from an authorized Horizon dealer, (vi) Product not compliant with applicable technical regulations, or (vii) use that violates any applicable laws, rules, or regulations.

OTHER THAN THE EXPRESS WARRANTY ABOVE, HORIZON MAKES NO OTHER WARRANTY OR REPRESENTATION, AND HEREBY DISCLAIMS ANY AND ALL IMPLIED WARRANTIES, INCLUDING, WITHOUT LIMITATION, THE IMPLIED WARRANTIES OF NON-INFRINGEMENT, MERCHANTABILITY AND FITNESS FOR A PARTICULAR PURPOSE. THE PURCHASER ACKNOWLEDGES THAT THEY ALONE HAVE DETERMINED THAT THE PRODUCT WILL SUITABLY MEET THE REQUIREMENTS OF THE PURCHASER'S INTENDED USE.

Purchaser's Remedy

Horizon's sole obligation and purchaser's sole and exclusive remedy shall be that Horizon will, at its option, either (i) service, or (ii) replace, any Product determined by Horizon to be defective. Horizon reserves the right to inspect any and all Product(s) involved in a warranty claim. Service or replacement decisions are at the sole discretion of Horizon. Proof of purchase is required for all warranty claims. SERVICE OR REPLACEMENT AS PROVIDED UNDER THIS WARRANTY IS THE PURCHASER'S SOLE AND EXCLUSIVE REMEDY.

Limitation of Liability

HORIZON SHALL NOT BE LIABLE FOR SPECIAL, INDIRECT, INCIDENTAL OR CONSEQUENTIAL DAMAGES, LOSS OF PROFITS OR PRODUCTION OR COMMERCIAL LOSS IN ANY WAY, REGARDLESS OF WHETHER SUCH CLAIM IS BASED IN CONTRACT, WARRANTY, TORT, NEGLIGENCE, STRICT LIABILITY OR ANY OTHER THEORY OF LIABILITY, EVEN IF HORIZON HAS BEEN ADVISED OF THE POSSIBILITY OF SUCH DAMAGES. Further, in no event shall the liability of Horizon exceed the individual price of the Product on which liability is asserted. As Horizon has no control over use, setup, final assembly, modification or misuse, no liability shall be assumed nor accepted for any resulting damage or injury. By the act of use, setup or assembly, the user accepts all resulting liability. If you as the purchaser or user are not prepared to accept the liability associated with the use of the Product, purchaser is advised to return the Product immediately in new and unused condition to the place of purchase.

Law

These terms are governed by Illinois law (without regard to conflict of law principals). This warranty gives you specific legal rights, and you may also have other rights which vary from state to state. Horizon reserves the right to change or modify this warranty at any time without notice.

WARRANTY SERVICES

Questions, Assistance, and Services

Your local hobby store and/or place of purchase cannot provide warranty support or service. Once assembly, setup or use of the Product has been started, you must contact your local distributor or Horizon directly. This will enable Horizon to better answer your questions and service you in the event

that you may need any assistance. For questions or assistance, please visit our website at www.horizonhobby.com, submit a Product Support Inquiry, or call the toll free telephone number referenced in the Warranty and Service Contact Information section to speak with a Product Support representative.

Inspection or Services

If this Product needs to be inspected or serviced and is compliant in the country you live and use the Product in, please use the Horizon Online Service Request submission process found on our website or call Horizon to obtain a Return Merchandise Authorization (RMA) number. Pack the Product securely using a shipping carton. Please note that original boxes may be included, but are not designed to withstand the rigors of shipping without additional protection. Ship via a carrier that provides tracking and insurance for lost or damaged parcels, as Horizon is not responsible for merchandise until it arrives and is accepted at our facility. An Online Service Request is available at http://www.horizonhobby.com/content/service-center_render-service-center. If you do not have internet access, please contact Horizon Product Support to obtain a RMA number along with instructions for submitting your product for service. When calling Horizon, you will be asked to provide your complete name, street address, email address and phone number where you can be reached during business hours. When sending product into Horizon, please include your RMA number, a list of the included items, and a brief summary of the problem. A copy of your original sales receipt must be included for warranty consideration. Be sure your name, address, and RMA number are clearly written on the outside of the shipping carton.

NOTICE: Do not ship LiPo batteries to Horizon. If you have any issue with a LiPo battery, please contact the appropriate Horizon Product Support office.

Warranty Requirements

For Warranty consideration, you must include your original sales receipt verifying the proof-of-purchase date. Provided warranty conditions have been met, your Product will be serviced or replaced free of charge. Service or replacement decisions are at the sole discretion of Horizon.

Non-Warranty Service

Should your service not be covered by warranty, service will be completed and payment will be required without notification or estimate of the expense unless the expense exceeds 50% of the retail purchase cost. By submitting the item for service you are agreeing to payment of the service without notification. Service estimates are available upon request. You must include this request with your item submitted for service. Non-warranty service estimates will be billed a minimum of ½ hour of labor. In addition you will be billed for return freight. Horizon accepts money orders and cashier's checks, as well as Visa, MasterCard, American Express, and Discover cards. By submitting any item to Horizon for service, you are agreeing to Horizon's Terms and Conditions found on our website http://www.horizonhobby.com/content/service-center_render-service-center.

ATTENTION: Horizon service is limited to Product compliant in the country of use and ownership. If received, a non-compliant Product will not be serviced. Further, the sender will be responsible for arranging return shipment of the un-serviced Product, through a carrier of the sender's choice and at the sender's expense. Horizon will hold non-compliant Product for a period of 60 days from notification, after which it will be discarded.

10/15

Contact Information

Country of Purchase	Horizon Hobby	Contact Information	Address
United States of America	Horizon Service Center (Repairs and Repair Requests)	servicecenter.horizonhobby.com/RequestForm/	2904 Research Rd Champaign, Illinois, 61822 USA
	Horizon Product Support (Product Technical Assistance)	productsupport@horizonhobby.com 877-504-0233	
	Sales	websales@horizonhobby.com 800-338-4639	
European Union	Horizon Technischer Service Sales: Horizon Hobby GmbH	service@horizonhobby.eu +49 (0) 4121 2655 100	Hanskampring 9 D 22885 Barsbüttel, Germany

FCC Information

FCC ID: BRWSPMSR6200A

Contains FCC ID: BRWKATY1T

This equipment complies with FCC and IC radiation exposure limits set forth for an uncontrolled environment. This equipment should be installed and operated with minimum distance 20cm between the radiator and/or antenna and your body (excluding fingers, hands, wrists, ankles and feet). This transmitter must not be co-located or operating in conjunction with any other antenna or transmitter.

Supplier's Declaration of Conformity

FC HBZ AeroScout S 2 1.1m RTF Basic (HBZ380002):

This device complies with part 15 of the FCC Rules. Operation is subject to the following two conditions: (1) This device may not cause harmful interference, and (2) this device must accept any interference received, including interference that may cause undesired operation.



CAUTION: Changes or modifications not expressly approved by the party responsible for compliance could void the user's authority to operate the equipment.

NOTE: This equipment has been tested and found to comply with the limits for a Class B digital device, pursuant to part 15 of the FCC Rules. These limits are designed to provide reasonable protection against harmful interference

in a residential installation. This equipment generates, uses and can radiate radio frequency energy and, if not installed and used in accordance with the instructions, may cause harmful interference to radio communications.

However, there is no guarantee that interference will not occur in a particular installation. If this equipment does cause harmful interference to radio or television reception, which can be determined by turning the equipment off and on, the user is encouraged to try to correct the interference by one or more of the following measures:

- Reorient or relocate the receiving antenna.
- Increase the separation between the equipment and receiver.
- Connect the equipment into an outlet on a circuit different from that to which the receiver is connected.
- Consult the dealer or an experienced radio/TV technician for help.

Horizon Hobby, LLC
2904 Research Rd.,
Champaign, IL 61822
Email: compliance@horizonhobby.com
Web: HorizonHobby.com

IC Information

CAN ICES-3 (B)/NMB-3(B)

IC: 6157A-SPMSR6200A

Contains IC: 6157A-KATY1T

This device contains license-exempt transmitter(s)/receivers(s) that comply with Innovation, Science, and Economic Development Canada's license-exempt RSS(s). Operation is subject to the following 2 conditions:

1. This device may not cause interference.
2. This device must accept any interference, including interference that may cause undesired operation of the device.

Compliance Information for the European Union



EU Compliance Statement:

HBZ AeroScout S 2 1.1m RTF Basic (HBZ380002): Hereby, Horizon Hobby, LLC declares that the device is in compliance with the following: EU Low Voltage Directive 2014/35/EU; EU EMC Directive 2014/30/EU; EU Radio Equipment Directive 2014/53/EU; RoHS 2 Directive 2011/65/EU; RoHS 3 Directive - Amending 2011/65/EU Annex II 2015/863.

HBZ AeroScout S 2 1.1m BNF Basic (HBZ385002): Hereby, Horizon Hobby, LLC declares that the device is in compliance with the following: EU Radio Equipment Directive 2014/53/EU; RoHS 2 Directive 2011/65/EU; RoHS 3 Directive - Amending 2011/65/EU Annex II 2015/863.

NOTE: This product contains batteries that are covered under the 2006/66/EC European Directive, which cannot be disposed of with normal household waste. Please follow local regulations.

The full text of the EU declaration of conformity is available at the following internet address: <https://www.horizonhobby.com/content/support-render-compliance>.

Wireless frequency and output:

Transmitter:

2402.0 - 2478.0MHz
17.7 dBm

Receiver:

2404-2476MHz
5.58dBm

EU Manufacturer of Record:

Horizon Hobby, LLC
2904 Research Road
Champaign, IL 61822 USA

EU Importer of Record:

Horizon Hobby, GmbH
Hanskampring 9
22885 Barsbüttel Germany

WEEE NOTICE:



This appliance is labeled in accordance with European Directive 2012/19/EU concerning waste of electrical and electronic equipment (WEEE). This label indicates that this product should not be disposed of with household waste. It should be deposited at an appropriate facility to enable recovery and recycling.





© 2026 Horizon Hobby, LLC

HobbyZone, the HobbyZone logo, E-flite, SAFE, the SAFE logo, DSM, DSM2, DSMX, IC3, Bind-N-Fly, the BNF logo, and the Horizon Hobby logo are trademarks or registered trademarks of Horizon Hobby, LLC. Windows is a registered trademark of Microsoft Corporation in the United States and other countries. The Spektrum trademark is used with permission of Bachmann Industries, Inc.
US 8,672,726. US 9,930,567. US 10,419,970. US 9,056,667. US 9,753,457. US 10,078,329. US CN201721563463.4. Other patents pending.

www.horizonhobby.com