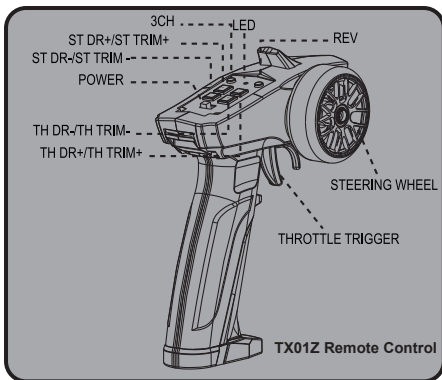


INSTRUCTION MANUAL

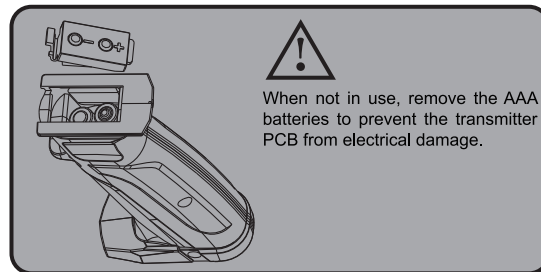
Function



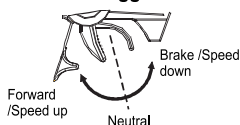
Install the Batteries

- (1) Remove the battery compartment cover.
- (2) Replace the used batteries with new AAA size batteries.

Please replace batteries when the power indicator blinks or the buzzer beeps.

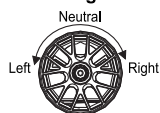


A. Throttle Trigger



1. Push the trigger forward to slow down or brake.
2. Pull the trigger backward to accelerate.

B. Steering Wheel



Keep the transmitter and receiver 40cm apart when operating.

Throttle trim: If the vehicle inches forward or backwards without throttle input, adjust the trim to set the neutral throttle position.
Steering trim: If the vehicle veers left or right without any steering input, use the steering trim to adjust the steering servo until the vehicle tracks straight.

Operating procedure

Always turn the transmitter on before turning on the vehicle.
Always disconnect the vehicle BEFORE turning off the transmitter.

This device complies with part 15 of the FCC Rules. Operation is subject to the condition that this device does not cause harmful interference (1) this device may not cause harmful interference, and (2) this device must accept any interference received, including interference that may cause undesired operation.

Any changes or modifications not expressly approved by the party responsible for compliance could void the user's authority to operate the equipment.

NOTE: This equipment has been tested and found to comply with the limits for a Class B digital device, pursuant to Part 15 of the FCC Rules. These limits are designed to provide reasonable protection against harmful interference in a residential installation. This equipment generates, uses and can radiate radio frequency energy and, if not installed and used in accordance with the instructions, may cause harmful interference to radio communications. However, there is no guarantee that interference will not occur in a particular installation.

If this equipment does cause harmful interference to radio or television reception, which can be determined by turning the equipment off and on, the user is encouraged to try to correct the interference by one or more of the following measures:

- Reorient or relocate the receiving antenna.
- Increase the separation between the equipment and receiver.
- Connect the equipment into an outlet on a circuit different from that to which the receiver is connected.
- Consult the dealer or an experienced radio/TV technician for help.

The device has been evaluated to meet general RF exposure requirements. The device can be used in portable exposure conditions without restriction.

FCC ID: 2ARE7-91803



CAUTION:
 This product is intended for ages 14+ users under 18 years of age require parental supervision.

Introduction

Looking for a mini scaler that's dependable, detailed and confident on any terrain?

Introducing the Toyota LC80 Land Cruiser.

From the period-correct lights and functioning indicators to vents on the vehicle body, the Land Cruiser was designed to static-model standards. Even the interior is painstakingly recreated in 1:18 scale.

A feature-packed trail-proven chassis drives the Land Cruiser. Aluminum rails provide a rigid platform while a multilink geometry with panhard bar chassis design allows for maximum axle articulation. Power is delivered from the super high-torque gearbox to ultra grippy beadlock tires via nylon driveshafts.

Water-resistant 2S 7.4V electronics consists of an independent servo, 2-in-1 receiver/ESC, 050 motor and 7.4V 600mAh battery; Allowing for high power-to-weight ratio and all weather operations.

If you want the best looking, best performing 1:18 scaler on the market, look no further than the Land Cruiser LC80!

Warnings

- This vehicle is not intended for those under 14 years of age without proper adult supervision. It is not a toy! Failure to operate or maintain this vehicle in a safe manner can result in bodily harm.
- Replace damaged components with original factory-parts. Pay special attention to the polarity of all vehicle wiring.
- Only use approved 2 cell lithium polymer batteries. Do not over-charge or over dis-charge the battery as doing so may cause the battery to become a fire hazard. If the battery should become hot during charging, discontinue charging immediately and disconnect the battery from the charger. Never leave the battery unattended while charging. If you are unsure of how to charge this battery, please seek the advice of experienced RC users. Never let children charge the battery without adult supervision.
- The motor will become hot during use. Allow 10-15 minutes between runs for the vehicle to cool down. Doing so will prolong the life of your vehicle.
- Use common sense when selecting the environment to operate your vehicle. Do not operate near power cables, cellular/radio towers, deep water or unstable terrain. The operator is solely responsible for their actions.
- The product is composed of precision electrical components. It is critical to keep the product away from moisture and other contaminants. If exposed to a humid environment, make sure the electronics are fully dried prior to using them again.
- Always check the radio range of the vehicle prior to operation in order to prevent radio loss or interference.
- Operate this product within your ability. If the vehicle is dangerous to retrieve, it's never worth the risk.
- Always turn on the transmitter before connecting the battery on the model. When turning off the model, always disconnect the battery first, and then turn off the model, always disconnect the battery first, and then turn off the transmitter. If this order is reversed, the model may become uncontrollable and cause serious damage.
- Never allow transmitter batteries to run low as it may cause loss of vehicle control.
- Plastics on the vehicle are susceptible to damage or deformation due to extreme heat and cold climate. Do not store the model near any source of heat such as oven or heater. Store the model indoors, in a climate-controlled, room temperature environment.
- Never shorten the receiver antenna; this may affect the transmitting range of the radio system.

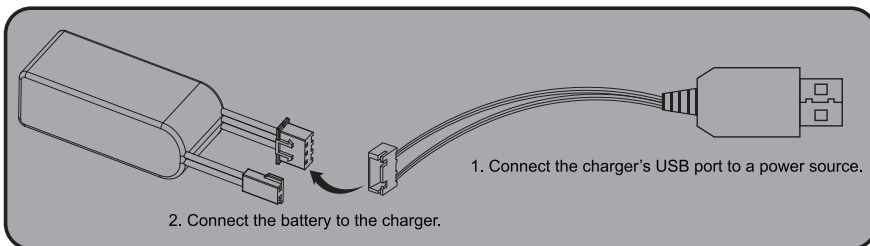
Setting the Gear Mesh

The gear mesh is the clearance between the pinion and spur gears in your vehicle. If the motor or gearing components are replaced, check that the gears are not meshing too tightly as this may cause premature wear.



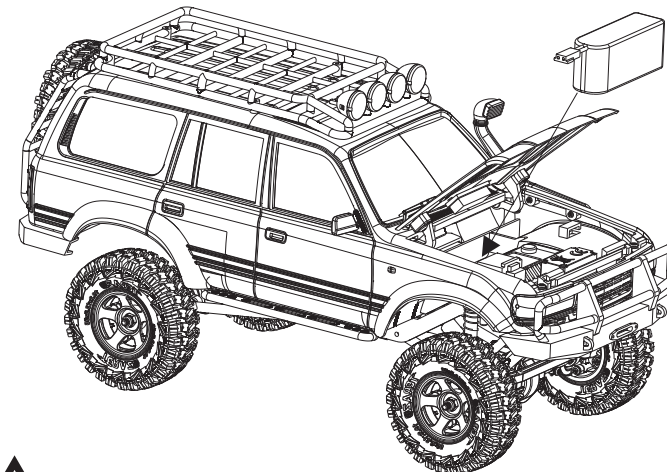
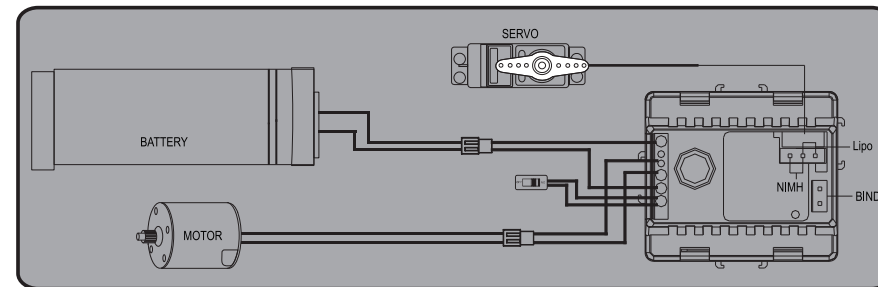
Charging the Battery

1. Connect the charger to a USB port then connect the battery to the charger.
2. When charging, the Green LED is flash, when charged, the Green LED is stable.
3. Do not let the battery charge unattended!
4. If the battery or charger is hot, disconnect the battery and charger immediately as this may be caused by an internal short-circuit.



Lithium Polymer (LiPo) Battery Warning

- Never charge a lithium polymer battery with a charger designed for Nicd, NIMH, or any other type of battery chemistry. Use ONLY charger designed for LiPo battery.
- Do not leave LiPo battery unattended during charging.
- Do not overcharge the battery.
- Always charge LiPo batteries on non-flammable, heat-resistant surfaces.
- Always use a LiPo-safe bag or container while charging. Do not allow LiPo cells to overheat at any time. Cells which reach greater than 140 Fahrenheit (60°C) will usually become damaged and will catch fire.
- Do not charge the LiPo pack while it is still in the model. Never charge or store battery packs in a vehicle.
- Do not discharge LiPo; doing so will damage the battery.
- Do not expose LiPo cell to water or moisture at any time.
- Do not store battery near open flame or heater.
- Do not assemble LiPo cells or pre-assembled packs together with other LiPo cells or packs.
- Always store LiPo battery in a secure location away from children.
- Always remove the LiPo battery if model is involved in any kind of crash.
- Carefully inspect the battery and connectors for even the smallest damage.
- CAUTION: Cells may become hot after usage. Allow the pack to cool to room temperature prior to recharging.
- Do not allow the electrolyte to get into eyes or on skin. Wash affected areas immediately if they if they come into contact with electrolyte. Do not alter or modify connectors or wires of a LiPo battery pack.
- Always inspect the condition of the battery before charging and operating.
- Do not short circuit the LiPo battery.
- Do not have contact with a leaky/damaged battery directly.
- Do not charge battery out of recommended temperature range (0°C-45°C).

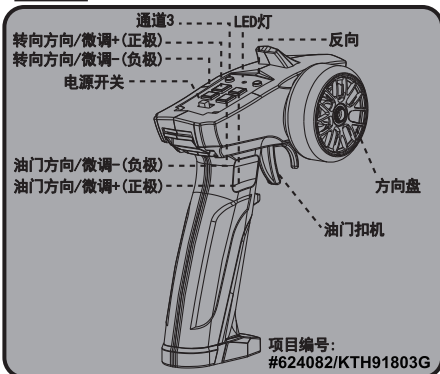


1. If it is not in use for a long time, unplug and take off the battery to prevent battery leakage
2. Do not open, disassemble, or attempt to repair the battery.

Spare parts list

C2049	1:18 050 Motor set	C2042	LAND CRUISER LC80 Bumper And Side Panel
C2050	1:18 2.4G Transmitter	C2043	LAND CRUISER LC80 Lens
C2023	1:18 10A ESC/RX Combo	C2054	LAND CRUISER LC80 Body SHELL
C2021	1:18 1kg Servo	C2045	Teraz Tire 19.2 x 13.5 x 56
C2047	1:18 2.4G Transmitter Receiver Set	C2046	LAND CRUISER LC80 Wheels Set
C2051	1:18 USB 2S LIPO Charger cable	C2055	LAND CRUISER LC80 Light set
C2052	LIPO Battery 2S 380mAh	C2033	LAND CRUISER LC80 Light Controller
C2053	LAND CRUISER LC80 Hood	C2056	LAND CRUISER LC80 Metal Gear
C2036	LAND CRUISER LC80 Front and Rear Light Cup Set	C2057	LAND CRUISER LC80 Gear set
C2037	LAND CRUISER LC80 Hood Mount Set	C2058	LAND CRUISER LC80 Transmission Shaft full set
C2038	LAND CRUISER LC80 Rooftop Rack	C2059	LAND CRUISER LC80 SCREW SET
C2039	LAND CRUISER LC80 Ladder And Spare Tire Bracket	C2060	1:18 M2&M2.5 SCREW NET
C2040	LAND CRUISER LC80 Spotlight Cup Set	C2061	LAND CRUISER LC80 Window
C2041	LAND CRUISER LC80 Rearview Mirror And Wiper		

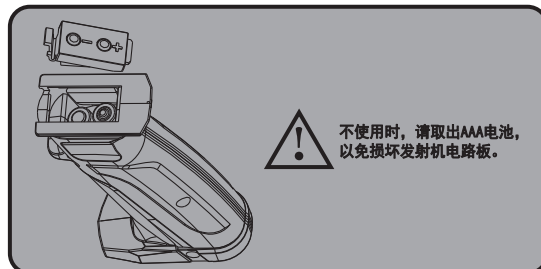
功能



电池安装

- 1) 拆下电池盖
- 2) 更换新的AAA电池。

当电源指示灯闪烁或蜂鸣器响动时，请更换电池。



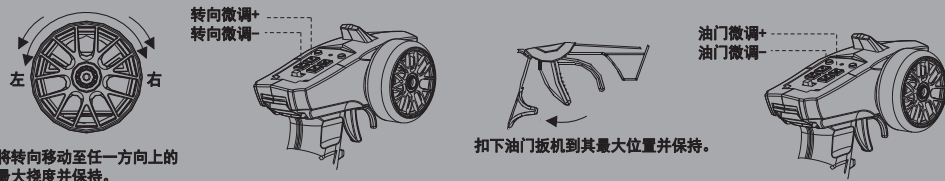
1. 将接收机连接至电源，跳线连接至对频端口，接收机上的LED灯开始配对 迅速闪烁。
2. 打开发射机，接收机开始自动连接遥控器。
3. 当LED灯变为长亮，则对频成功。

反向通道

1. 转向：将转向移动至任一方向上的最大挠度并保持；同时按住转向REV按钮并保持，转向通道将会反转。
2. 油门：将遥控车倒置（车轮不接触地面），扣下油门扳机到其最大位置并保持；同时按住油门Rev按钮并保持，转向通道将会反转。

控制率

1. 转向：将转向移动至任一方向上的最大挠度并保持；按下转向微调+或-按钮以增加或降低转向角度。如果转向没有反应，继续按下转向微调+按钮，同时保持方向盘在最大挠度。
2. 油门：将遥控车倒置（车轮不接触地面），扣下油门扳机到其最大位置并保持；按下油门微调+或-按钮以增加或降低油门速率。如果油门没有反应，继续按下油门微调+按钮，同时保持油门在其最大位置。



注意：如果你的遥控车有转向，但没有油门，或有油门，但没有转向，则此设置很可能是问题根源。

A. 油门扳机



1. 向前推动扳机以减速或刹车
2. 往后拉动扳机向前/加速。

B. 方向盘



操作时保持发射机和接收机相距40厘米。

油门微调：如果遥控车在没有任何油门操控的情况下，向前或向后移动，则需微调以设置中位油门位置。
转向微调：如果遥控车在没有任何转向操控的情况下，向左或向右偏转，则需通过转向微调来调整转向舵机，直到遥控车能直行。

操作程序

务必先开遥控器再将车子通电，
务必先将车子断电再关遥控器。

介绍

您是否正在寻找一款细节不马虎、性能不将就、令人耳目一新、过目不忘的迷你攀爬车？FMS 和ROC Hobby 荣誉出品- 1:18丰田LC80 陆地巡洋舰，精准嵌合您的一切需求。

从复古的像真车灯到转向联动的方向灯组，从车身硬朗线条到精心制作的散热格栅，到仿真伞齿驱动车轴，到静态模型级别的全比例驾驶舱内饰，专注于每个细节！

只有漂亮的外观显然是不够的，作为迷你硬派越野攀爬车，1:18丰田LC80 陆地巡洋舰亦有硬派底盘与悬吊。铝合金大梁确保即便在崎岖地形中车架依旧保持良好的刚性。多连杆悬吊与止推杆设计有效精准舵机动作。超高扭力的齿轮箱与尼龙传动轴，将动力传递到车轴，再通过抓地力强的软胎传递至地面。

防水的电子系统是1:18丰田LC80 陆地巡洋舰的一大亮点：独立舵机、二合一接收与电调、050 大扭力电机、7.4V 600毫安时锂电池，使冒险者可在任何天气和地形下行走。续航力长达30分钟！

如果你喜欢兼具收藏和操作价值的越野攀爬车丰田LC80 陆地巡洋舰是您的不二之选！

警告

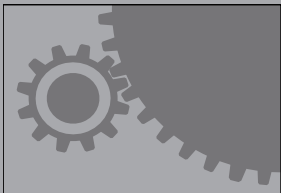
- 本产品非玩具级别，不适合14岁以下的儿童操作使用。未成年人应在有经验的成年人陪同下操作使用。
- 请使用原厂部件更换损坏的部件。特别注意所有车辆接线的正负极。
- 只能使用2节锂聚合物电池。不要过度充电或过度放电，以免电池泄露或损坏产生火灾隐患。如果电池在充电过程中温度过热，请立即停止充电，并将电池与充电器断开。请勿在无人看管的情况下给电池充电。如果您不确定如何安全地进行充电，请向经验丰富的遥控模型产品玩家寻求建议。不要让孩子在没有成人监督的情况下给电池充电。
- 由于电机在使用过程中会发热，两次操作中要留出大约10-15分钟的时间冷却电机，以延长产品的使用寿命。
- 务必选择合适的环境操作遥控模型，所选环境需远离电缆、无线电塔、深水及不稳定地形。本品操作者对其行为全权负责。
- 本品由精密电子部件构成。请勿将本品暴露于潮湿的环境或者其他污染物中，以免造成损坏。如果暴露在潮湿的环境中，请确保将电子部件完全晾干以后再使用。
- 确保每次操作前检查车辆的无线接收范围，以防止无线信号丢失或受干扰。
- 在您的能力范围内操作此产品。在任何时候，如果车辆操作有危险，则绝对不值得冒险。
- 通电方式：务必先开遥控器再将车子通电。断电方式：务必先将车子断电再关遥控器。以上顺序如逆转，则可能引起遥控模型失控，导致人身伤害或财产损失。
- 遥控器电池低电时，不要操作模型车，以免造成失控。
- 模型产品上的塑胶件容易因极冷或极热气候出现变形或损坏的状况。所以请将模型产品存放在气候受控的室温环境中，切勿靠近任何热源，如烤箱或加热器等。
- 切勿更改接收机天线的长度，以免影响无线电系统的接收范围。



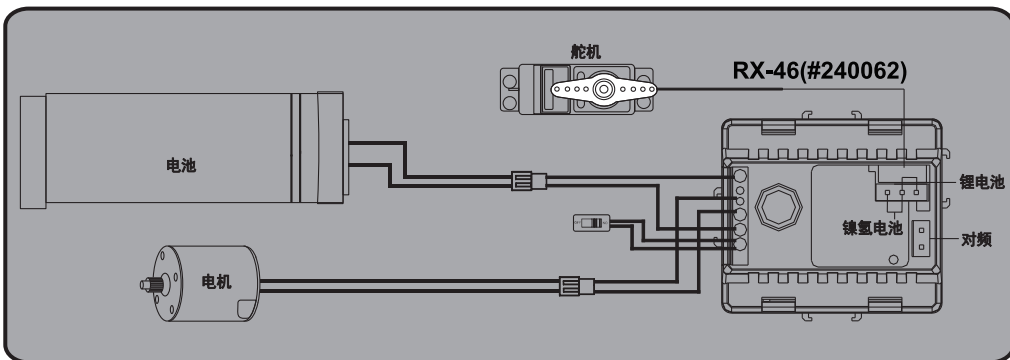
注意：
本产品只适用于14岁以上用户使用，18岁以下用户需要在监护人的监督下使用。

齿轮啮合设置

齿轮啮合是模型车内小齿轮和直齿轮之间的间隙配合。如果更换电机或齿轮传动部件，请检查齿轮啮合是否过于紧密，如过于紧密，则可能导致过早出现磨损。

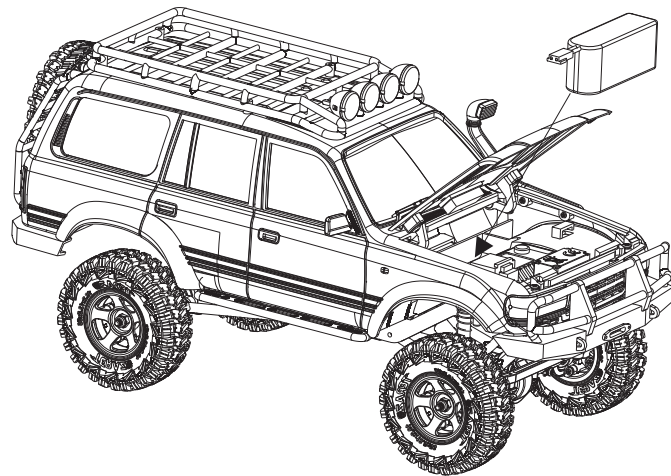
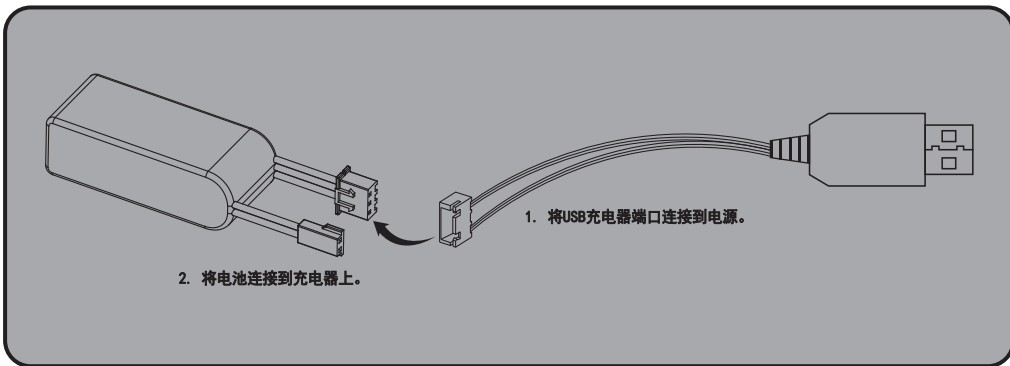


电子设备图解



电池充电

1. 将充电器连接到USB端口，然后将电池连接到充电器电源线上。
2. 充电时，LED灯状态为红色，充电完成时，LED灯状态为绿色。
3. 请勿在无人看管的情况下充电！
4. 如果发现电池或充电器温度过热，请立即断开电池和充电器，因为这可能是由内部短路引起的。



1. 长期不使用时,应拔开并取出电池,以防电池漏液。
2. 请勿打开、拆卸或维修电池。

配件表

C2049	1:18 050电机 + 电机齿	C2042	陆巡LC80 防撞
C2050	1:18 2.4G 发射器	C2043	陆巡LC80 灯镜片
C2023	1:18 10A 二合一电调接收器	C2054	陆巡LC80 车壳银枪色
C2021	1:18 1kg 舵机	C2045	陆巡LC80 轮胎
C2047	1:18 2.4G 发射器+二合一电调接收器	C2046	陆巡LC80 车轮
C2051	1:18 USB 2S LIPO 电池线	C2055	陆巡LC80 灯线组
C2052	LIPO 电池 2S 380mAh	C2033	陆巡LC80 灯控
C2053	陆巡LC80 引擎盖银枪色	C2056	陆巡LC80 金属齿轮
C2036	陆巡LC80 前/后灯杯组	C2057	陆巡LC80 齿轮
C2037	陆巡LC80 引擎盖连接座	C2058	1:18 传动轴
C2038	陆巡LC80 行李架	C2059	陆巡LC80 螺丝包
C2039	陆巡LC80 备胎架及梯子	C2060	螺母 M2 & M2.5
C2040	陆巡LC80 射灯	C2061	车窗
C2041	陆巡LC80 雨刮器及后视镜		

