

ATTACK 4YWD-2.4G

FOR 4CH RADIO CONTROL MODELS



Thank you for purchasing this Attack 4YWD-2.4G Radio Control System. This system uses the 2.4GHz spread spectrum communication system and eliminates the need for frequency crystals, allowing multiple models to operate in one area.

● This instruction manual is for the Attack 4YWD-2.4G Radio Control System. Read and understand the instructions before operating. Keep this manual as a reference to ensure safe operation of the R/C model.

2.4GHz R/C System Precautions

- Read and fully understand the instructions before operating the 2.4GHz R/C system.
- The system is designed only for use with electric R/C cars and tanks. Do not use with glow engine cars.
- When using with Multi Function Control Unit or DMD Control Unit, Futaba R204GF-E receiver is not compatible.
- 2.4GHz frequency range is also used for microwave ovens, wireless networks, Bluetooth devices, the ISM (industrial, scientific, and medical) radio bands, and amateur radios, and interference may affect operation of the model. Operate the model while noting local frequency conditions.
- At R/C driving facilities, avoid using devices that may affect the operation of the R/C system. Ensure that you follow the facility manager's instructions.
- Avoid using more than 15 sets of 2.4GHz R/C systems in your driving area at the same time.
- Do not drive your model in areas where it does not have direct line of sight with the transmitter as the radio signal may be blocked, affecting operation or causing loss of control.
- Do not remove the label of registered certification on the transmitter. Operation of the transmitter without this label is not permitted under Japanese law.
- Likewise, operation of imported transmitters without the above label is not permitted under Japanese law.
- The Japan Radio Control Safety Association aims to raise public awareness of safe R/C model use. Where possible, use a transmitter with the organization's label.

2.4GHz Transmitter Precautions

- Transmitter antenna has directionality. (Refer to page 8)
- Do not grasp the built-in antenna section during operation or attach electro-conductive plates or stickers on it.
- ★ This will weaken radio signal and reduce the effective range.
- Noise from other 2.4GHz systems may cause interference. Stop using if this occurs during function testing or while operating the model.

2.4GHz Receiver Precautions

- Install the receiver where vibration is the least prevalent and away from sources of electrical and mechanical noise.
- Avoid strong shocks or vibration. Attach the receiver with thick double-sided tape to dampen vibration.

★ To avoid serious personal injury and/or property damage, observe the following points when operating the R/C model. The  symbol denotes important safety precautions. Make sure to observe them.

- Do not remove the label of registered certification on the transmitter. Operation of the transmitter without this label is not permitted under Japanese law.
- Only use a 4.8-6.0V battery to provide power to the R204GF-T receiver.
- ★ Do not use dry cell batteries as the receiver's power source.
- ★ Tamiya TEU-101BK and TEU-104BK ESCs are not compatible.
- Do not use this product for purposes other than operating R/C models.
- When this product is exported from the country of manufacture, its use must be approved by the laws governing the destination country. Use of this product for purposes other than R/C models may be restricted by Export and Trade Control Regulations, and an application for export approval must be submitted.



● Read and understand the instructions before operating the model.

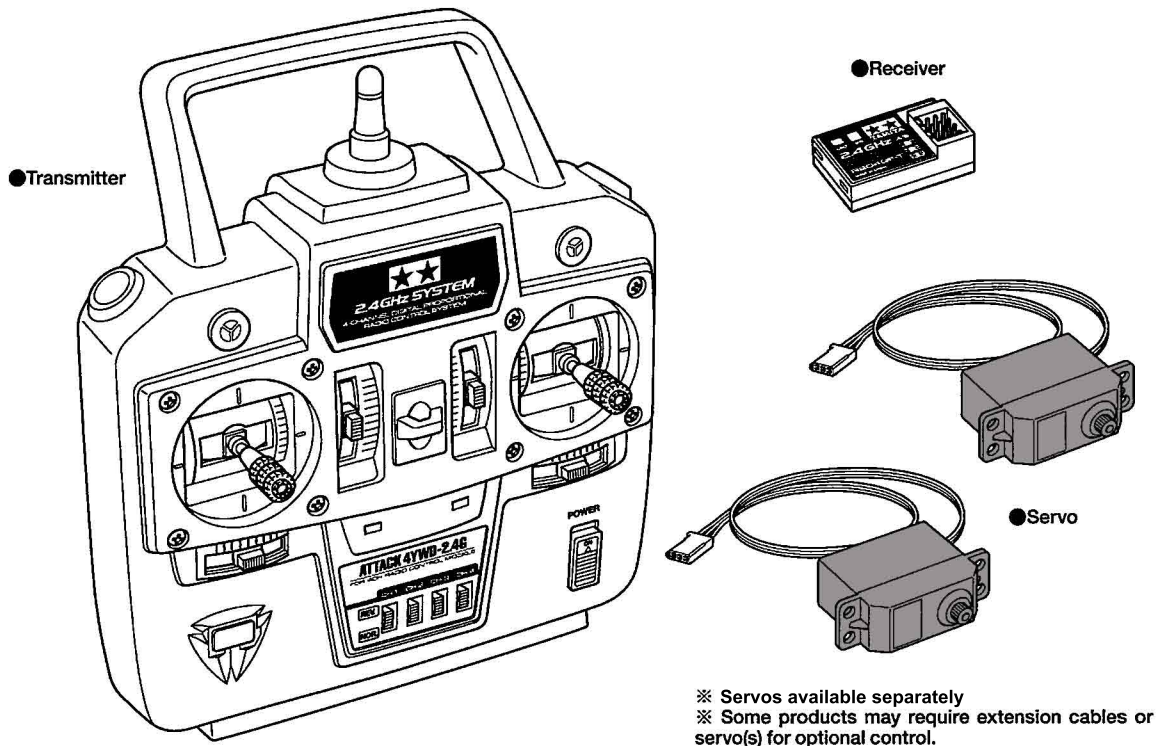


● Keep out of reach of small children.

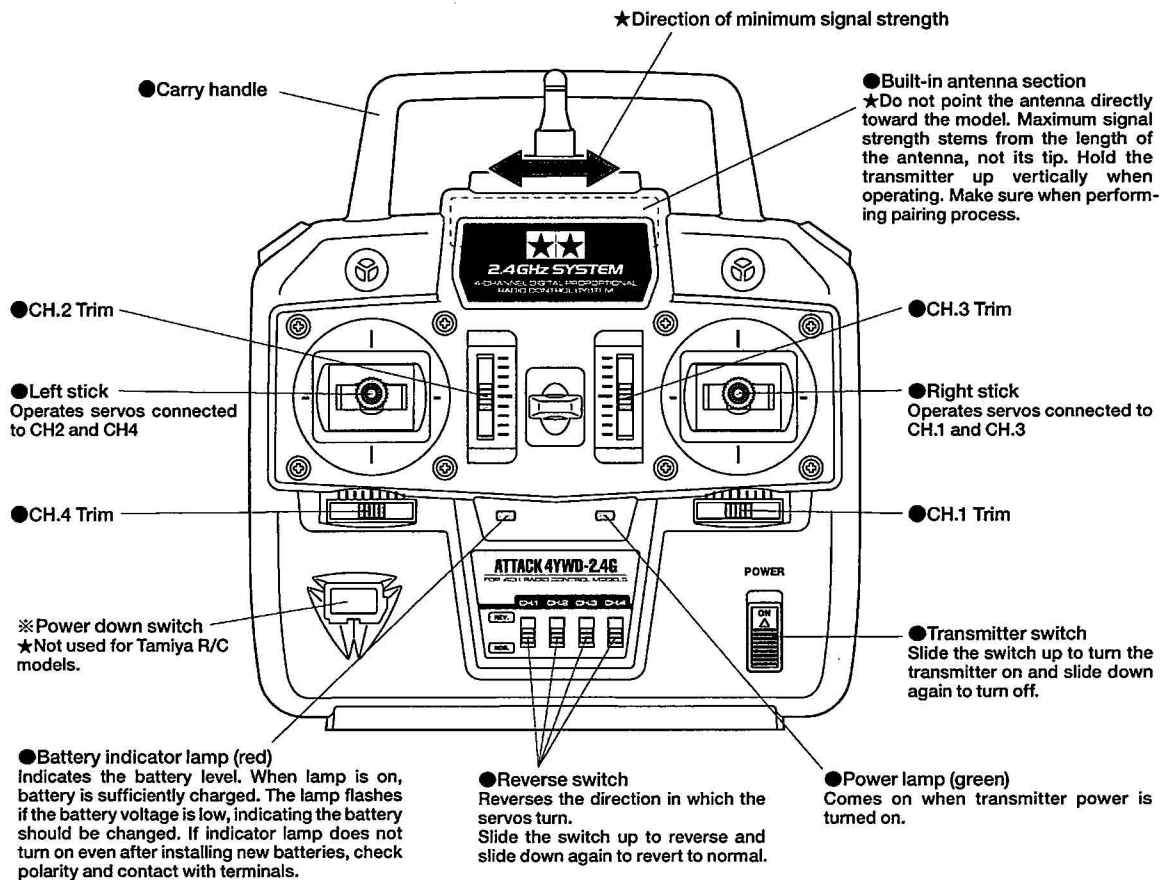


● Do not dismantle or modify transmitter or receiver.

《Attack 4YWD-2.4G 4-channel R/C system》

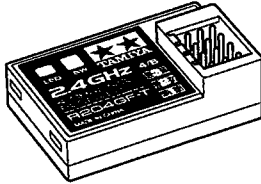


Transmitter Part Names



Part Names

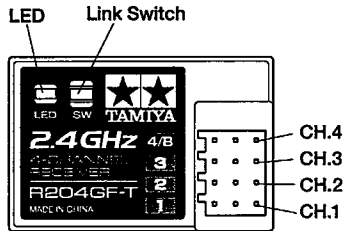
● **Receiver (with built-in antenna)**
Receives signals from transmitter and converts them into pulses to operate the servo and ESC.



● **Link Switch**
Use to perform pairing process.

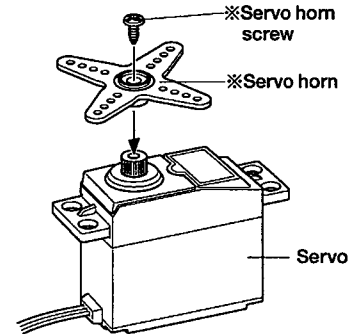
● **LED**
Indicates receiver status. Turns on when receiving signals and turns off when no signal is received.

	LED
No signal received.	Off
Receiving signals.	On
Wrong/No ID code.	Flashes



☆ **CH.1:** Connect right stick's left/right operation servo connector (steering).
 ☆ **CH.2:** Connect left stick's up/down operation servo connector (throttle).
 ☆ **CH.3:** Connect right stick's up/down operation servo connector (horn).
 ☆ **CH.4/B:** Connect left stick's left/right operation servo connector (shift change).
 ★ Follow the R/C model's instruction manual for connection.

● **Servo**
Transforms signals received from the receiver into mechanical movements.



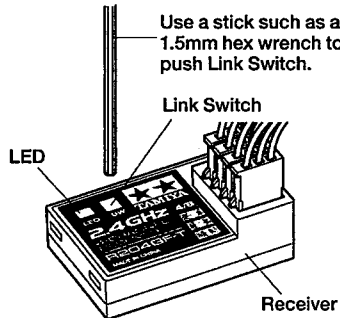
※ Use Servo horn and servo horn screw provided in model kit.

● **ESC**
ESC controls forward/reverse speed, stopping and braking. For further information, refer to separate ESC manual.

Pairing Transmitter & Receiver (Transmitter and receiver are factory-paired.)

A 2.4GHz transmitter has an individual ID code and once a receiver stores it, the code ensures that the receiver communicates with that transmitter only. This process is called "pairing." The Fail Safe Function will also be set in this process.

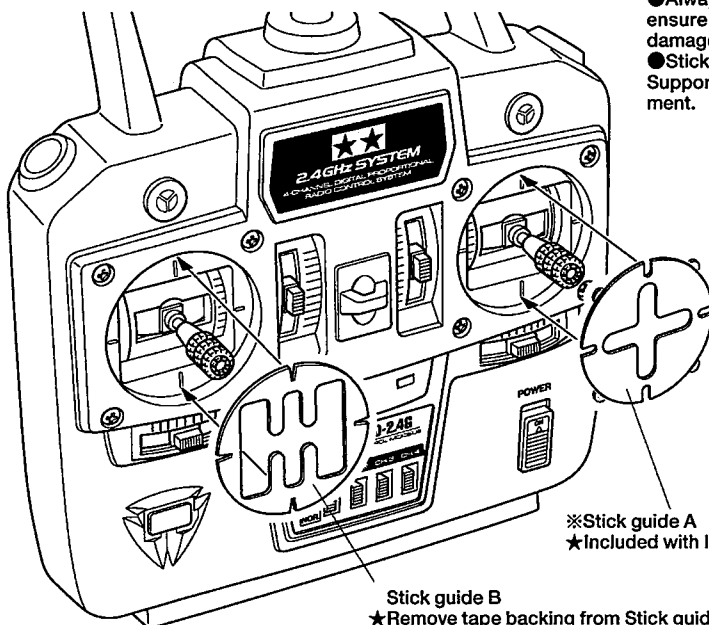
1. Position transmitter and receiver within 10cm of each other.
2. Switch on transmitter.
3. Switch on receiver.
4. Press and hold Link Switch on receiver.
5. When pairing is completed, the LED turns on green.



⚠ Do not perform pairing when motor is connected or engine is running.

★ If other 2.4GHz transmitters are being used in the area, there is a possibility that pairing will occur with the wrong transmitter. Check the servos to ensure your receiver and transmitter are correctly paired, as even if the receiver shows a green light it may have been paired accidentally with another transmitter.

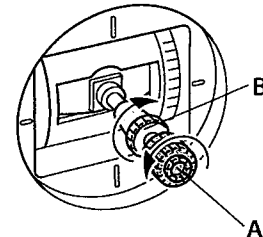
《Attaching stick guide》



- Always attach Stick guide B to the transmitter to ensure accurate gear changing and avoid internal damage to the gearbox.
- Stick guide A is included with Item 56505 Motorized Support Legs. Refer to Item 56505's manual for attachment.

《Adjusting Stick Length》

● The control stick can be adjusted to your preferred length. To do so, hold part (B) in position while turning (A) counter-clockwise. Then, rotate (B) until it meets (A), and rotate both counter-clockwise to set in position.



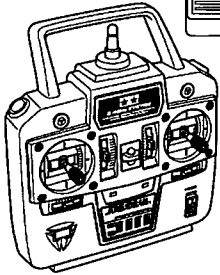
Stick guide B
★ Remove tape backing from Stick guide B and attach.

Caution!

《How to turn on transmitter and receiver》

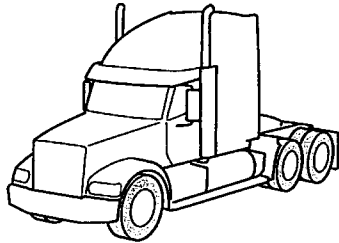
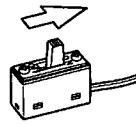
1. ON

Transmitter switch



2. ON

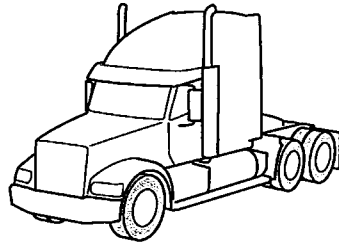
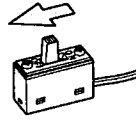
Receiver switch



《How to turn off transmitter and receiver》

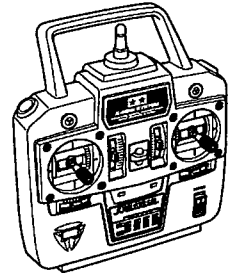
1. OFF

Receiver switch



2. OFF

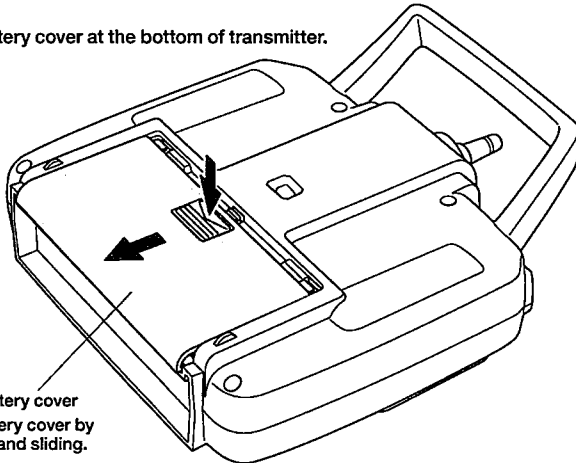
Transmitter switch



How to install transmitter batteries

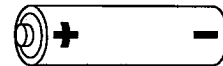
! Use new batteries when replacing. If used batteries are mixed with new ones, model may lose control due to weak radio signal.

1. Open battery cover at the bottom of transmitter.



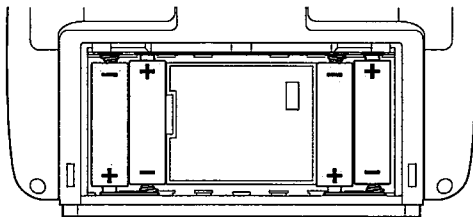
Transmitter battery cover
★ Remove battery cover by pushing arrow and sliding.

Four R6/AA/UM3 batteries.



! Never use battery with voltage in excess of 1.5V per cell.

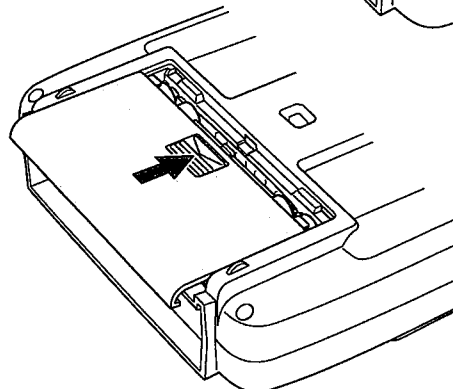
2. Install batteries. Insert in the direction designated on the inside of the battery box.



! Incorrect polarity will damage the transmitter. Always replace worn batteries with new ones. Do not mix batteries of different ages or types.

3. Attach battery cover.

! Remove batteries after use.



Controlling the Model (Example shows tractor truck model.)

※Other models, such as R/C tanks, have different controls. Refer to the operation manual included in the kit.

●Throttle (CH.2)

Used to control forward, reverse and braking. Starting from the neutral position, the further the stick is pushed forward or backward, the faster the model will go in that direction.

●Steering (CH.1)

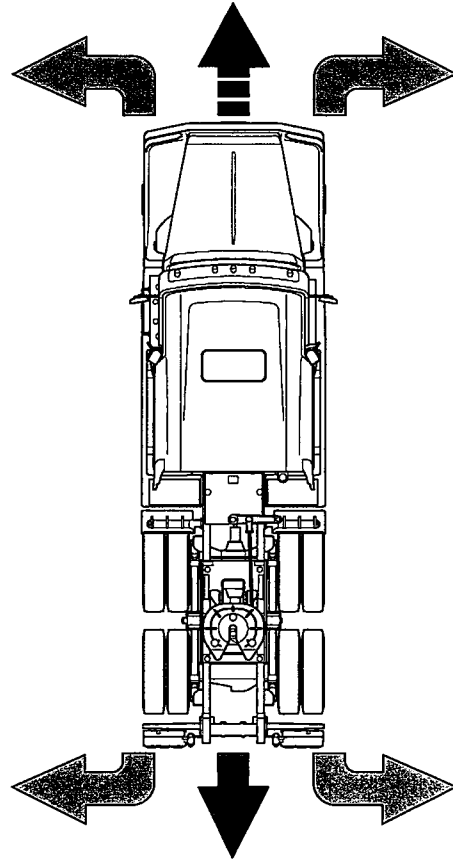
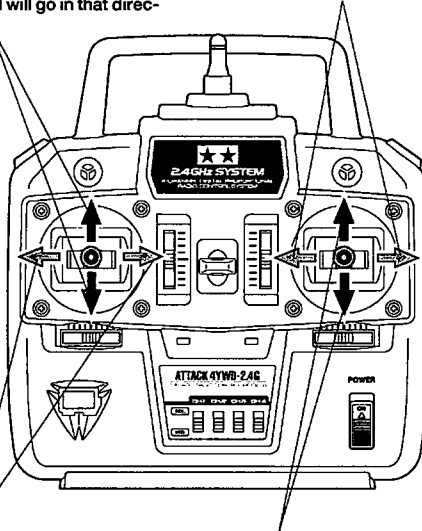
Change the model's direction by pushing the stick left or right. Control the turning angle by pushing the stick further or less.

●Shift Change (CH.4)

Push the stick left or right to operate gear changes.

●Optional control (CH.3)

Moving the stick forward or backward operates optional control.



Controlling the Model (Example shows tractor truck model.)

●Throttle Trim

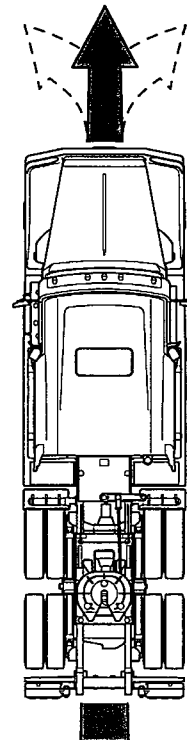
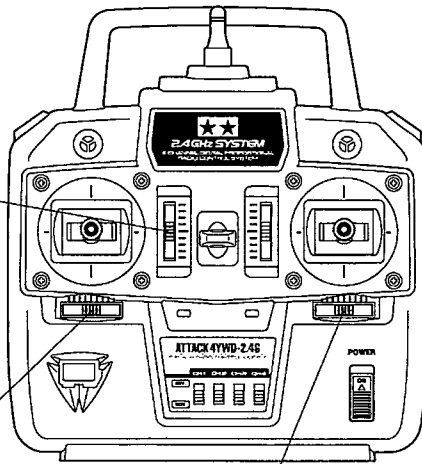
If R/C model does not stop with the stick in neutral (stop) position, adjust this trim. If the model moves forward, push the trim downward until the model stops. If the model reverses, push upward.

●Shift Change Trim

Use this trim to adjust shift fork position.

●Steering Trim

If R/C model does not run straight with the stick in neutral position, adjust this trim. If the model tends to go left, push the trim to the right. If the model tends to go right, push it to the left.



★Trims are also used to operate shift and optional controls. Refer to the operation manual included in the kit, or the control unit's instruction manual.

★ In full-operation systems, CH.3 and CH.4 trim levers cannot be used for neutral adjustments.

Operating Procedures

★Transmitter Setting

When checking operation, use chassis stand so that tires are not in contact with the ground. If it is on the ground, the model may start moving uncontrollably due to improper adjustment.

1. Install transmitter and receiver batteries.
2. Switch on transmitter, then switch on receiver.
3. Inspect operation with transmitter. Adjust trims if needed.
4. Run the R/C model.
5. When shutting down your model, switch off receiver, then switch off transmitter.
6. Remove all batteries from the transmitter and the model after each use.

★Always follow these operating procedures.

When Operating R/C Models

●Interference may affect the operation of the model. A 2.4GHz radio control system eliminates the need for frequency crystals but radio interference may occur according to local conditions. In that case, immediately stop operation and determine the cause.

- Never run R/C models in crowded areas or near small children.
- Never run R/C models on the street.
- Attach receiver and ESC with double-sided tape to absorb shocks.
- If R/C system gets wet, dry it immediately to prevent malfunction.

Storage

To prevent deformation and damage, do not store this R/C system in the following environments.

●Where it is extremely hot (over 40°C) or cold (below -10°C).

●Where the system will be exposed to direct sunlight.

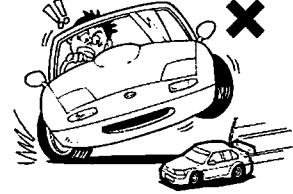
●Where the humidity is high.

●Where vibration is present.

●Where dust is present.

●Where the system will be exposed to steam and heat.

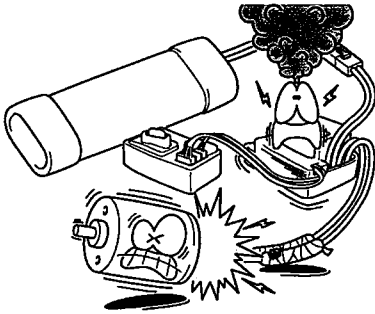
●Where it may be within reach of small children.



ESC: Warnings

●Do not short circuit

Make sure that all cables are completely insulated. Use vinyl tape for insulation.



●Connect cables correctly

Connectors can only be joined together in one way. If they don't fit together perfectly, do not force them, as this may damage the ESC.

●Do not modify

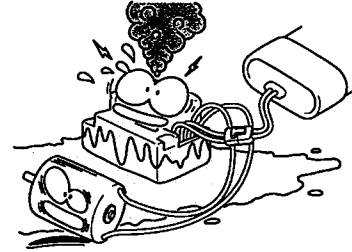
Use only the designated battery and motor. Cutting cables or antenna, or dismantling connector or servo may cause a short circuit or breakage.

●Cautions when handling

ESC, servo and transmitter are precision devices. Keep away from water and humidity. Take extra care not to drop or crush when handling.

●R/C model stops upon activation of ESC heat protection device

When running the model at low speeds for long periods, the heat protection device stops the car to protect the ESC.



●In case the heat protection device is activated

If the model stops suddenly, it may be due to the heat protection device. Turn off receiver immediately and determine the cause. If the cause was activation of the heat protection device, the model will resume running after around 15 minutes.

《ATTACK 4YWD-2.4G》

Transmitter : ATTACK 4YWD-2.4G
Type : 2-Stick Type 4-Channel
Frequency Range : 2.4GHz
Power Supply : 6.0V (R6/AA/UM3 Battery x4)
Current Consumption : 100mA

Receiver : R204GF-T
Frequency Range : 2.4GHz
Power Supply : 4.8V-7.4V
Current Consumption : 30mA
Dimensions : 35 x 23 x 9mm (excl. protrusions)
Weight : 6g

★ATTACK 4YWD-2.4G transmitter and R204GF-T receivers use the FHSS system, and are not compatible with the FAAST system. Do not use with other systems. Do not use dry batteries as the receiver's power source.

Contact your local Tamiya dealer for any questions regarding this R/C system including parts, defects and repairs.

★Send the product with detailed description of the malfunction to Tamiya Customer Service for repair request (Effective in Japan only).

TAMIYA
TAMIYA, INC. 3-7 ONDWARA, SURUGA-KU, SHIZUOKA 422-8610 JAPAN

保証書

製品名 **タミヤ ATTACK 4YWD-2.4G**

お名前 電話番号

ご住所

保証期間はご購入日から6ヶ月(180日)です。

販売店印 お買上日/平成 年 月 日

※ご購入の際、必ずお買上日をご記入し捺印してください。記入が無いものは無効

保証規定 この保証書により、表記の製品を下記の通り保証いたします。なお、この保証書は日本国内でのみ有効です。

- 1) この保証書はタミヤATTACK 4YWD-2.4Gセット(送・受信機、サーボ)を保証します。
 - 2) 取扱説明書にしたがった正常な使用状態で故障した場合は、無料で修理をいたします。
 - 3) 次のような場合は、保証期間内でも有料とさせていただきます。
①使用上の誤りや操作ミスによると認められる故障(電源の逆接続、出力コードのショート、水濡れなどによる故障)。
②機械的、電気的な変更や改造、分解した場合(コードの付け替え、メカの分解、改造、他社製パーツの使用等)。
③指定以外の電源を使用した場合。
④お買上げ後の輸送や移動時の落下などによる故障や損傷。
⑤保管上の不備(高温、多湿、ナフタリンその他の薬剤など、製品に損傷をあたえる場所での保管)や、手入れの不備(走行後のメンテナンスをおこたるなど)による故障や損傷。
⑥火災や地震、その他災害による場合。
⑦修理の際に保証書が添えられていない場合。
⑧保証書にお買上げ店印、お買上げ年月日のない場合や、それらの字句を書き換えた場合。
 - 4) 修理依頼の際の送料は、お客様にご負担をお願いいたします。
 - この保証書は再発行はいたしません。また本保証書の複製等は無効ですので大切に保管してください。
- 修理を依頼される場合はその故障状況をできるだけ詳しく教えて下さい。修理箇所を早く確実に知ることができるので、修理期間が短くなります。(修理を依頼される場合は、必ずこの保証書を修理品に添えて、お買上店、または株式会社タミヤカスタマーサービスにお送りください。) 〒422-8610 静岡県駿河区恩田原3-7 電話番号054-283-0003

★Effective in Japan only.