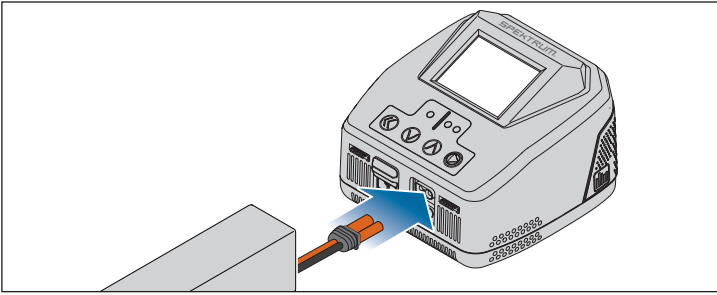


# QUICKSTART GUIDE

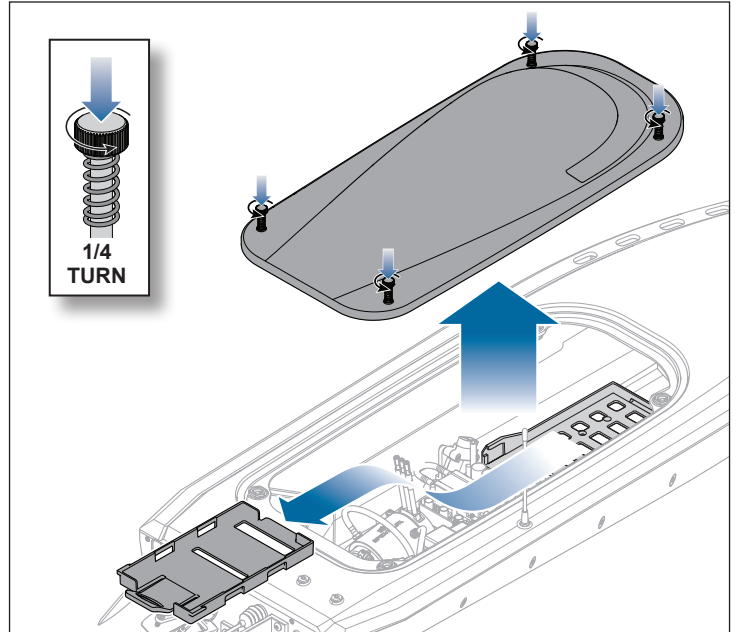


# SONICWAKE 36

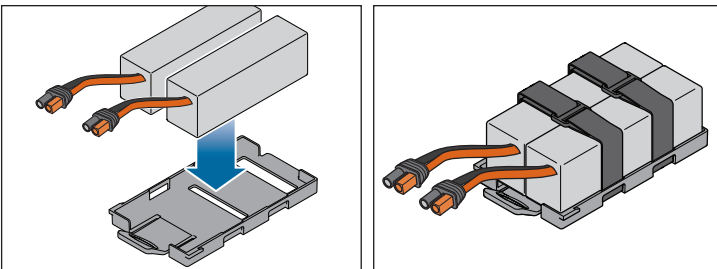
### 1. Charge the Batteries



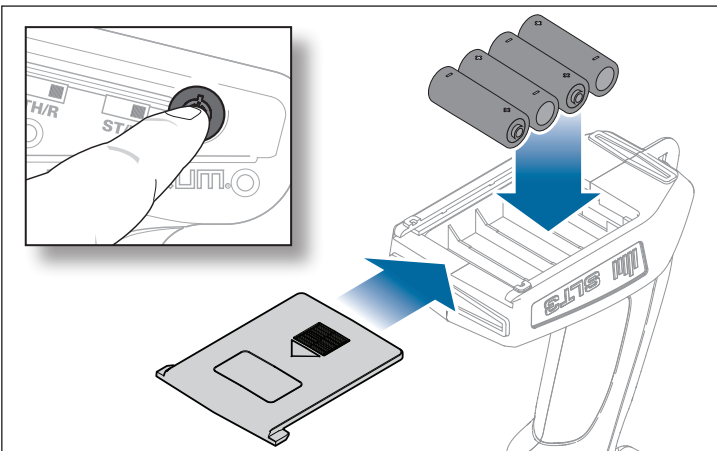
### 2. Remove the Canopy and SSL Battery Tray



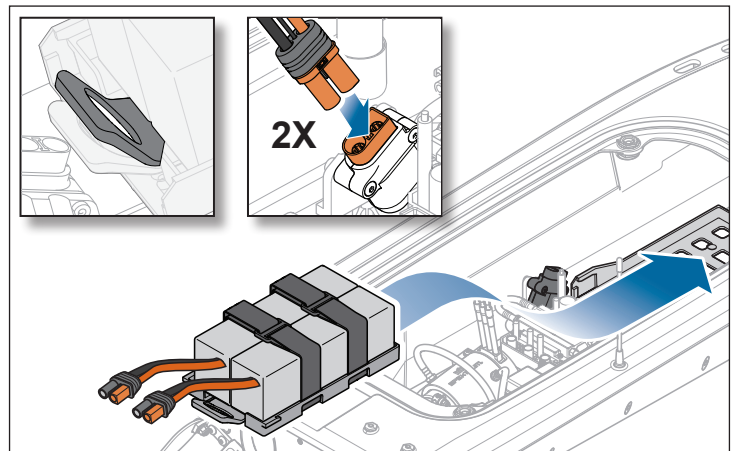
### 3. Install the Batteries into the (SSL) Battery Tray



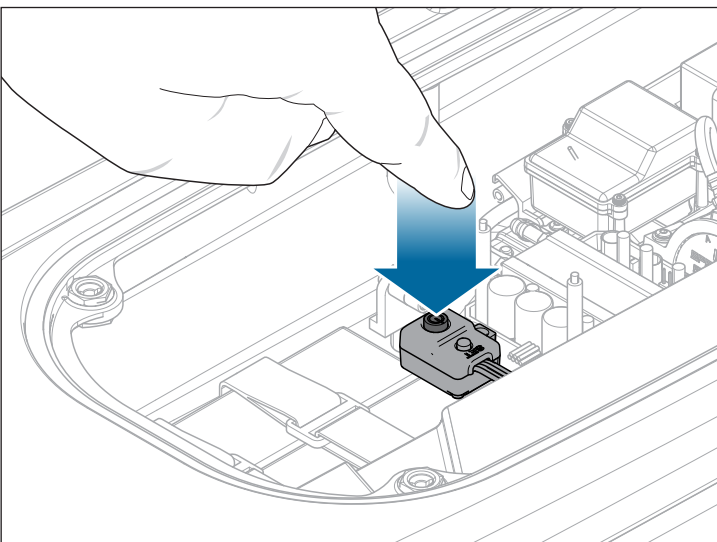
### 4. Power On the Transmitter



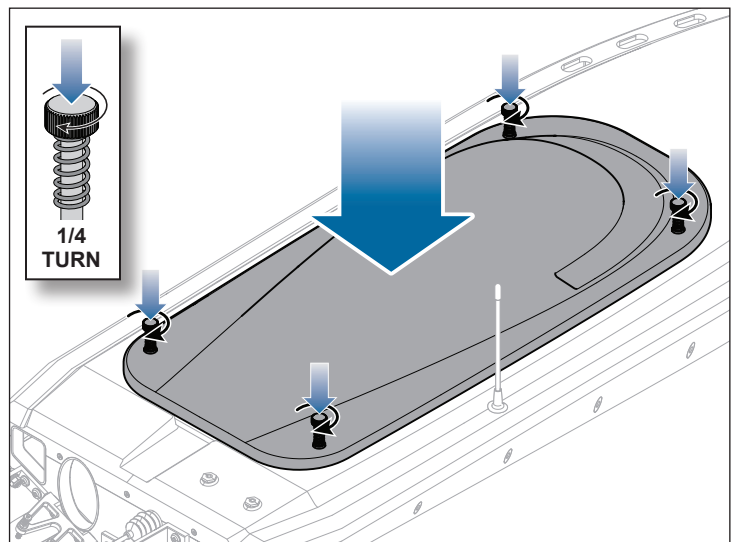
### 5. Install the Batteries



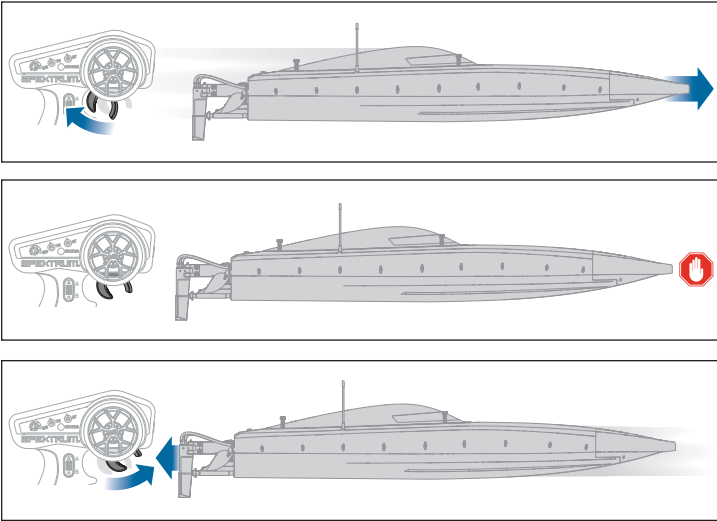
### 6. Power On the Boat



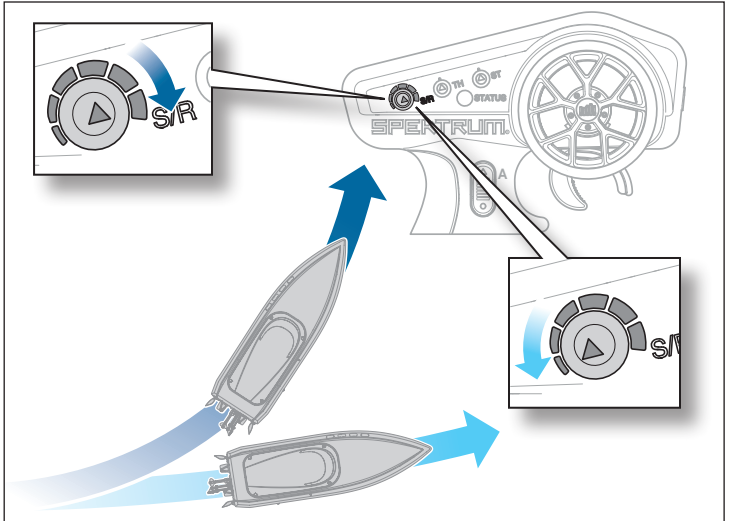
### 7. Install the Canopy



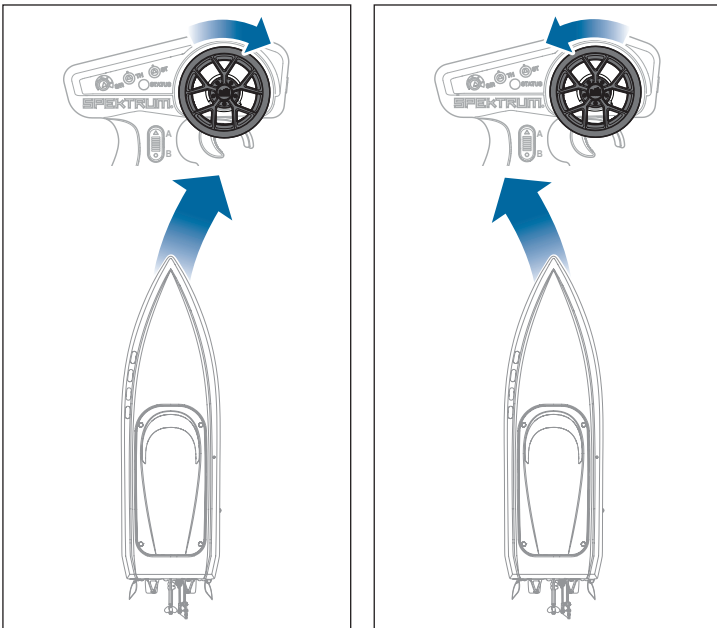
## 8. Throttle/Reverse



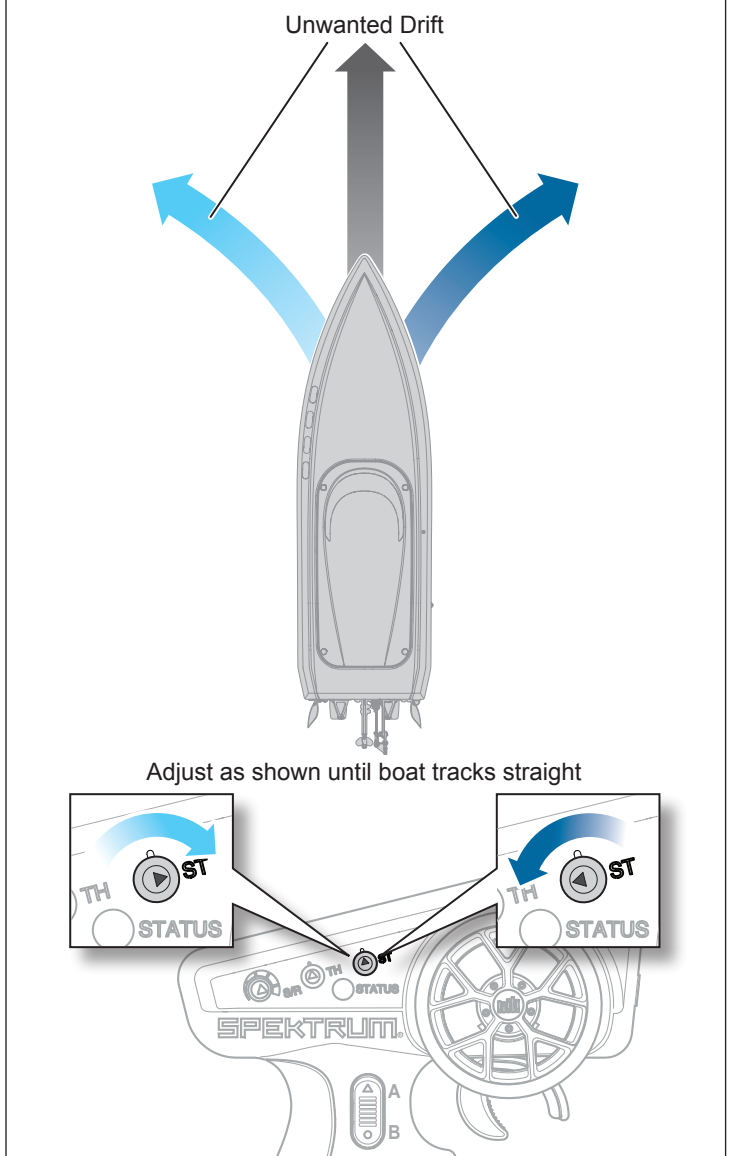
## 9. Steering Rate



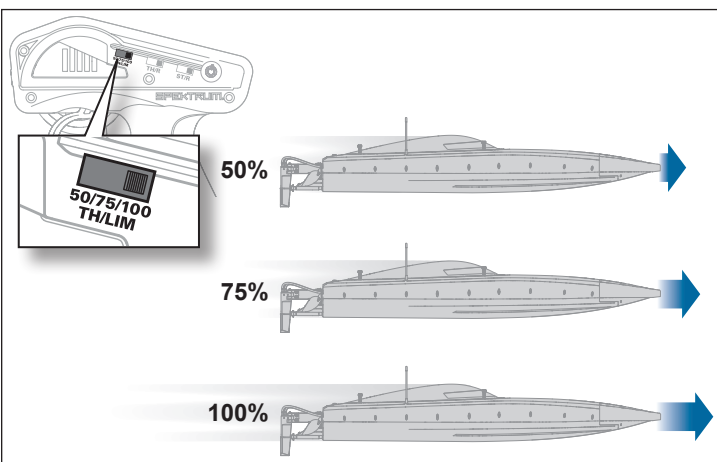
## 10. Steering



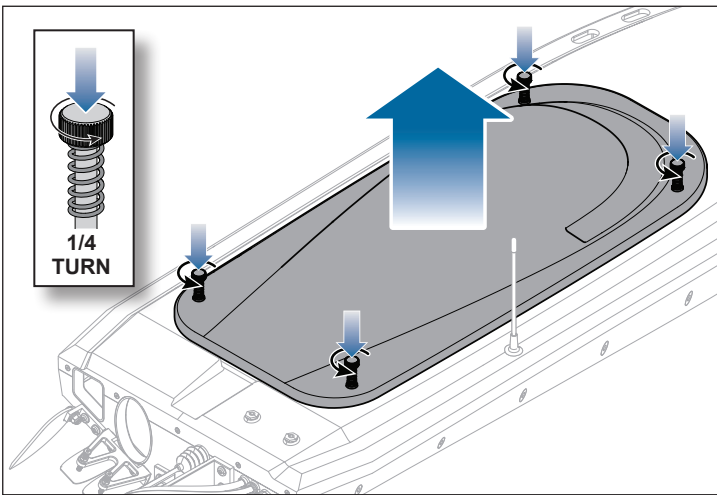
## 11. Steering Trim



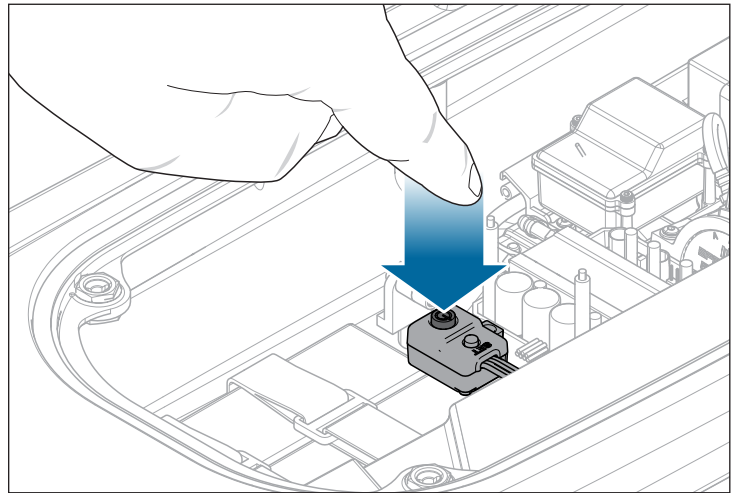
## 12. Throttle Limiter



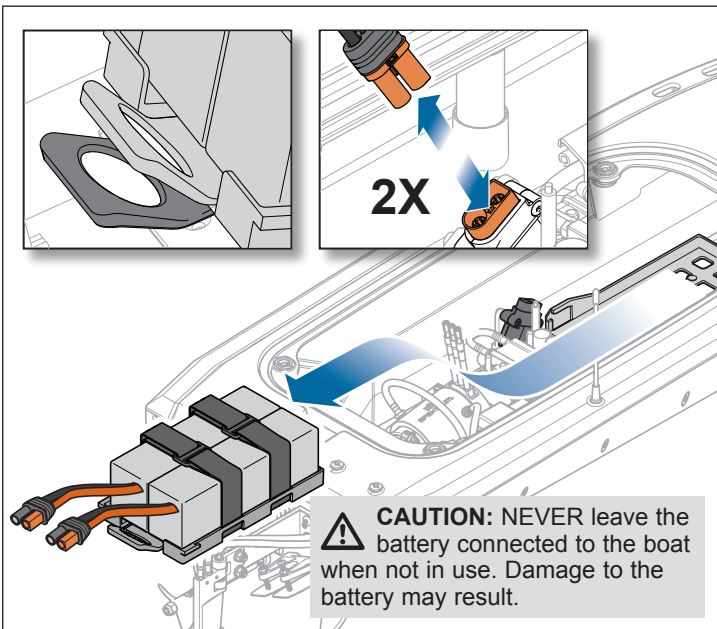
### 13. Remove the Canopy



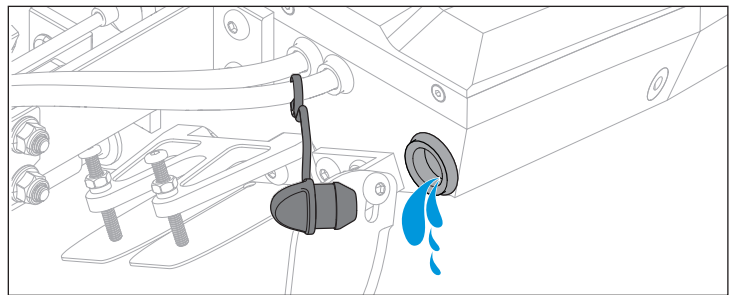
### 14. Power Off the Boat



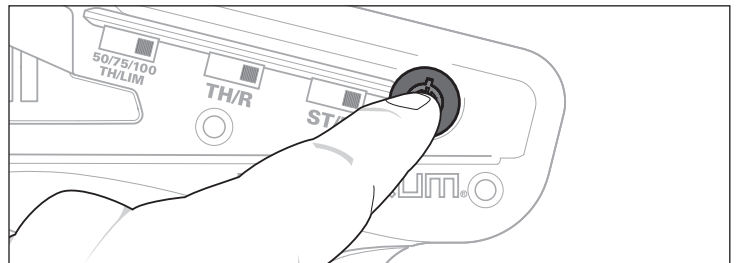
### 15. Remove the Batteries



### 16. Drain Water from the Hull



### 17. Power Off the Transmitter



Scan the QR code and select the Support tab from the product page for the most up-to-date manual information.



PRB-2171