




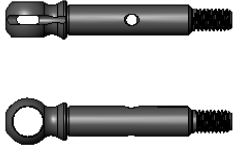
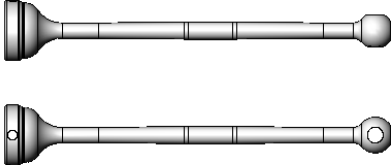




www.MIPonline.com

# MIP Mini-T 2.0 CVD™ Assembly Guide

 1.2mm Cross Pin (x2) #20065	 M3 x 2mm Set Screw (x2) #20065	 Coupling (x2) #20065	 M3 Locknut (x2) #20065	 1.5mm Cross Pin (x2) #20065
---	---	---	--	---

 CVD Axle, (x2) #20060	 Shiny CVD Bone, (x2) #20060
---	---



Apply MIP  
Thread Lock



**WARNING!!!**  
 Chemicals in tubes  
 may cause eye/skin  
 irritation and can be  
 harmful if  
 swallowed. If it  
 comes in contact  
 with skin, wash with  
 plenty of soap and  
 water. If in eyes;  
 Rinse with water for  
 fifteen minutes. If  
 irritation persists get  
 medical advice.

For more information  
 & SDS please visit:  
[www.miponline.com/store/sds.html](http://www.miponline.com/store/sds.html)



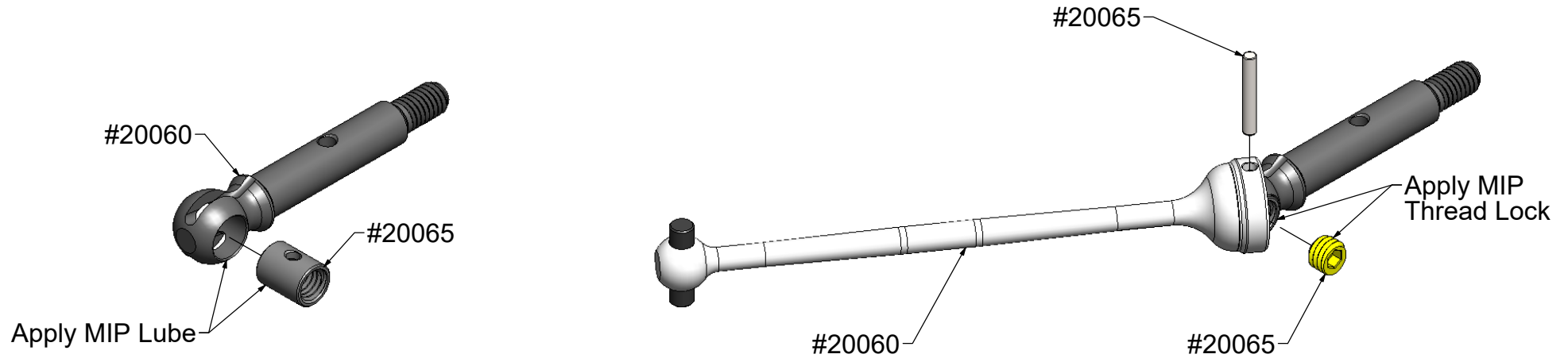
Apply MIP Lube

© 2020  
 Moore's Ideal Products, LLC  
 830 W. Golden Grove Way  
 Covina, CA 91722



www.MIPonline.com

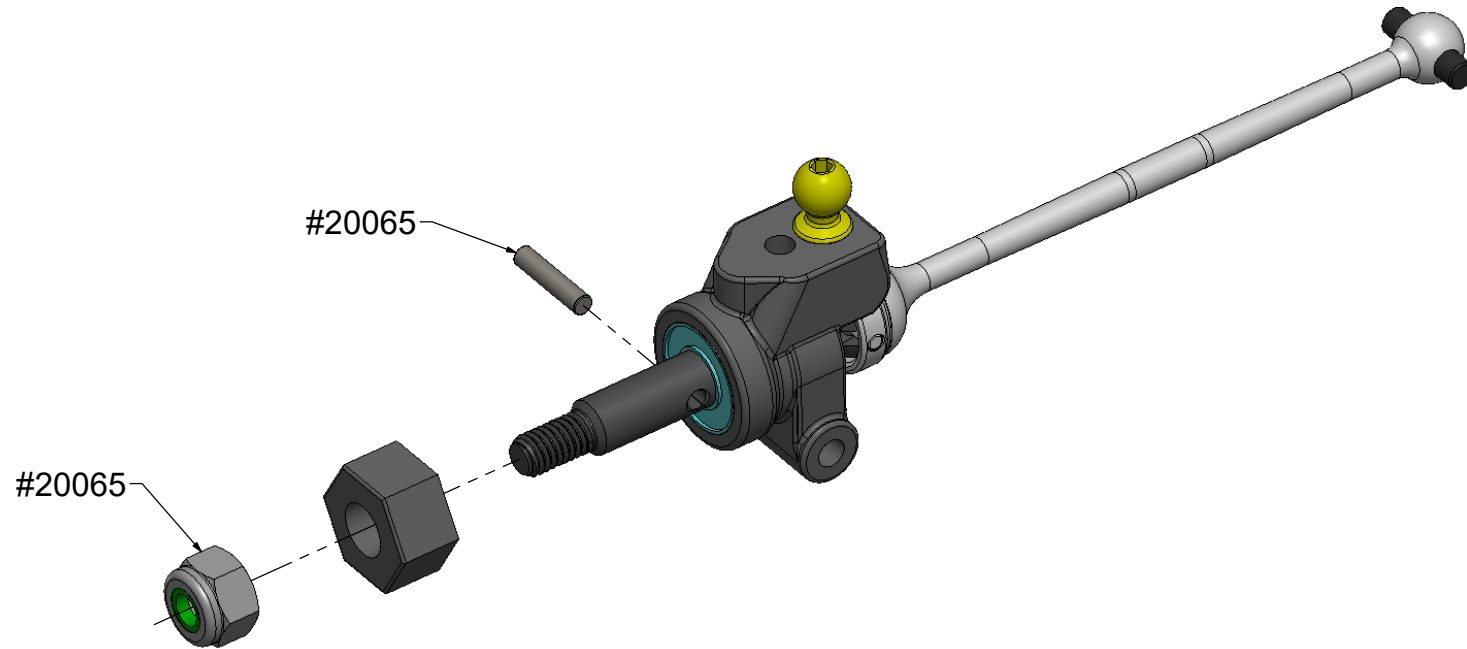
# MIP Mini-T 2.0 CVD™ Assembly Guide





www.MIPonline.com

# MIP Mini-T 2.0 CVD™ Assembly Guide



**\*NOTE\*** - Please be sure to rebuild your MIP Mini-T CVD Kit with genuine MIP Product #20065

Look for these other Mini-T 2.0 Products from MIP!

**#20070 MIP Race TopShaft & Idler Gear Set, Losi Mini-T 2.0**

**#20080 MIP Slipper Clutch Kit, Losi Mini-T 2.0**

**#5205 MIP Car Stand, Yellow/Black, Losi Mini-T 2.0**

**#9518 MIP Mini-T 2.0 Wrench Set, Metric (3), 4.0mm, 5.5mm Nut Driver & 1.5mm Hex**