



# QUICKSTART GUIDE

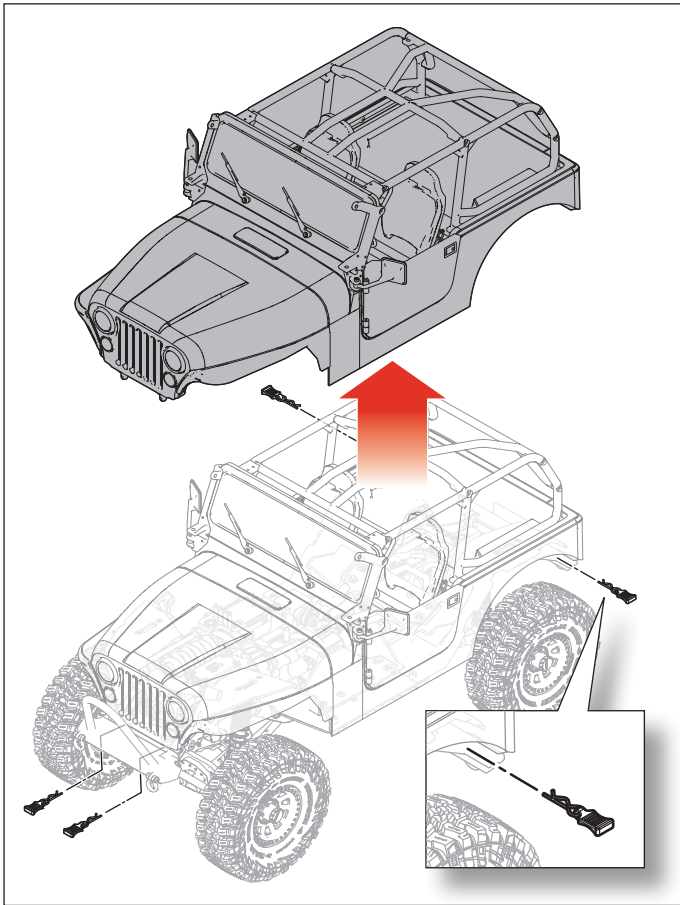


## SCX10™ III Jeep® CJ-7 1/10TH SCALE ROCK CRAWLER RTR

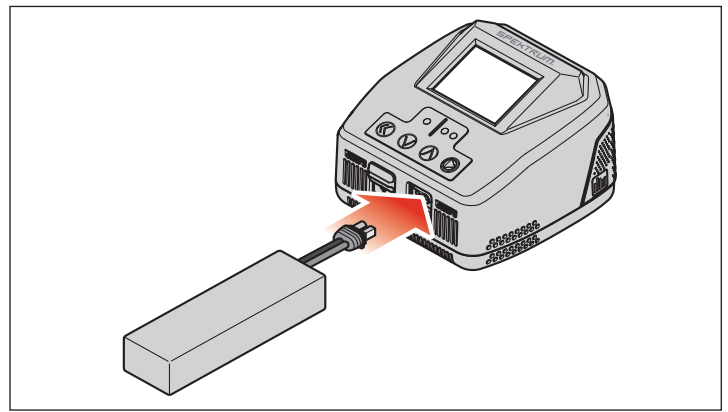
1278698  
Created 12/25



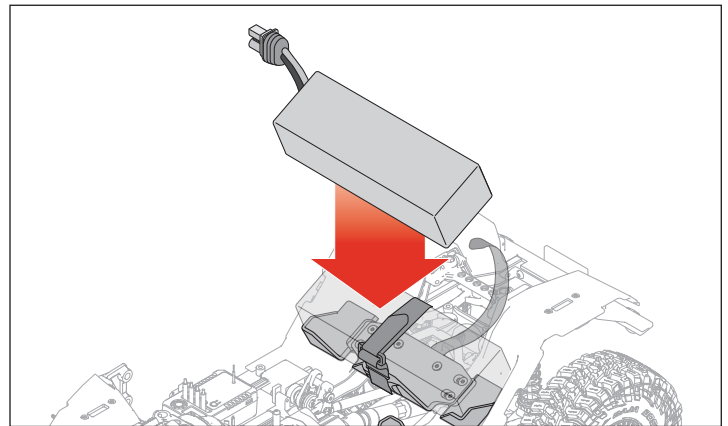
## 1. Remove the Body



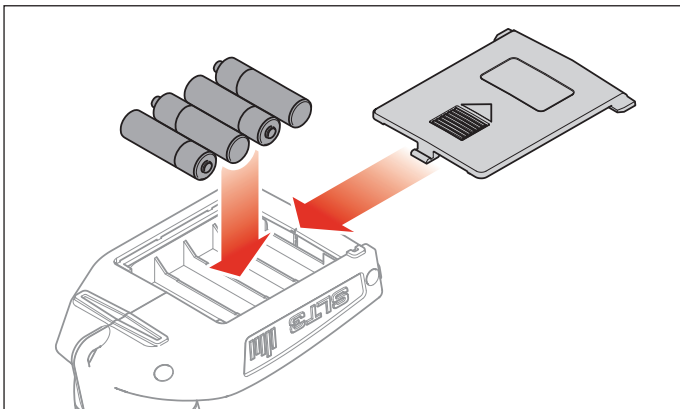
## 2. Charge the Vehicle Battery



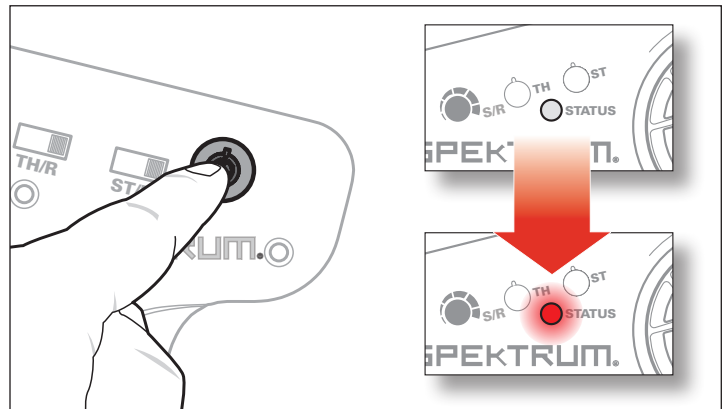
## 3. Install the Vehicle Battery



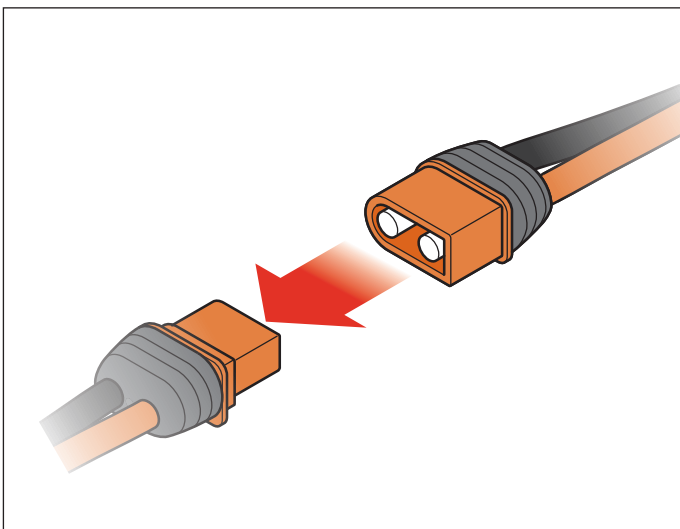
## 4. Install the Transmitter Batteries



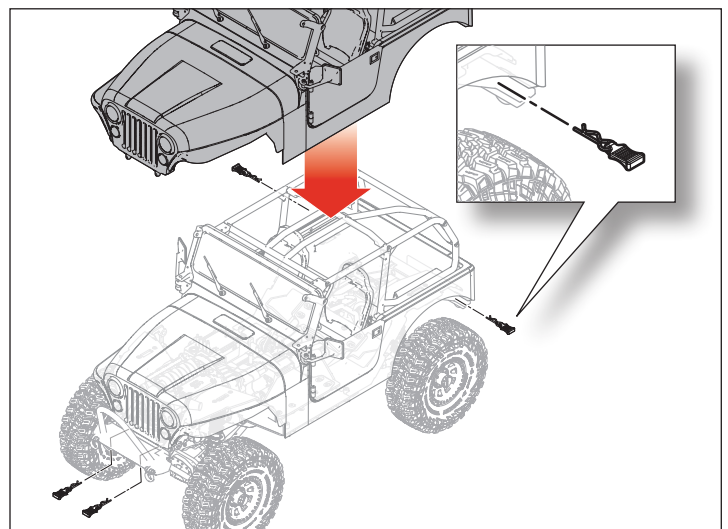
## 5. Power On the Transmitter



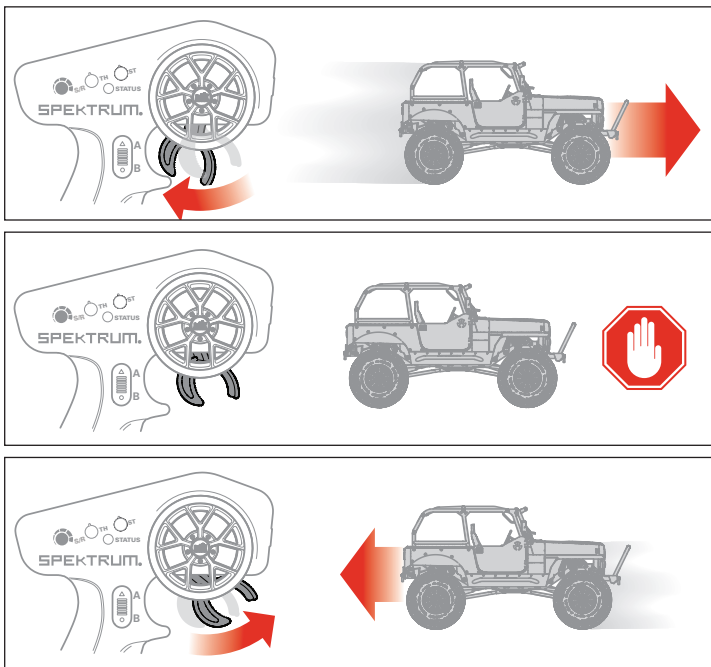
## 6. Connect the Vehicle Battery



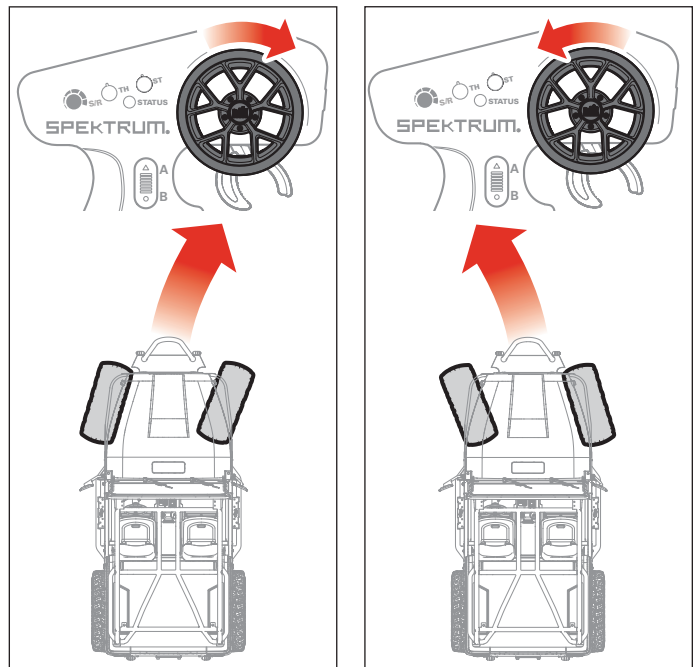
## 7. Reinstall the Body



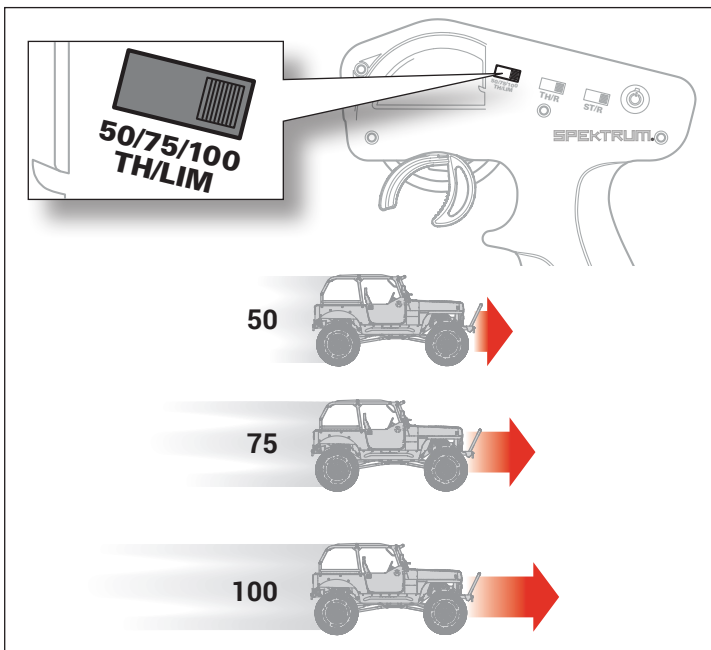
## 8. Throttle/Brake



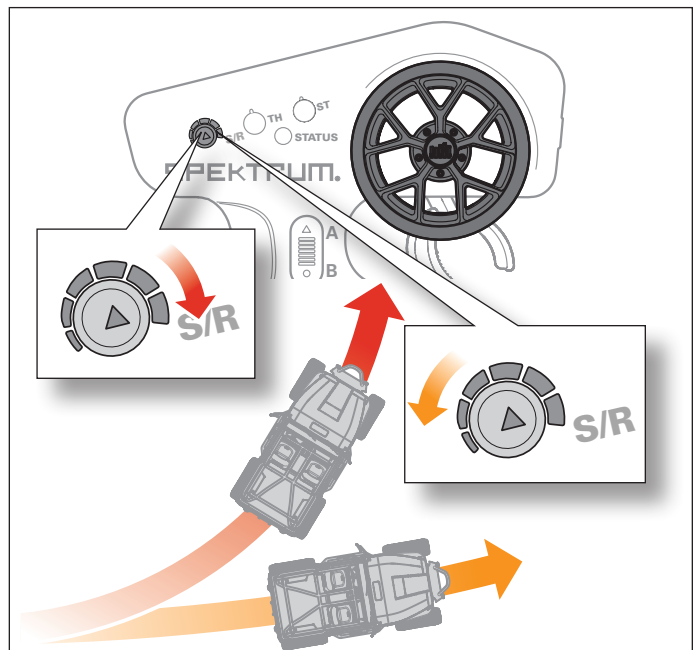
## 9. Steering



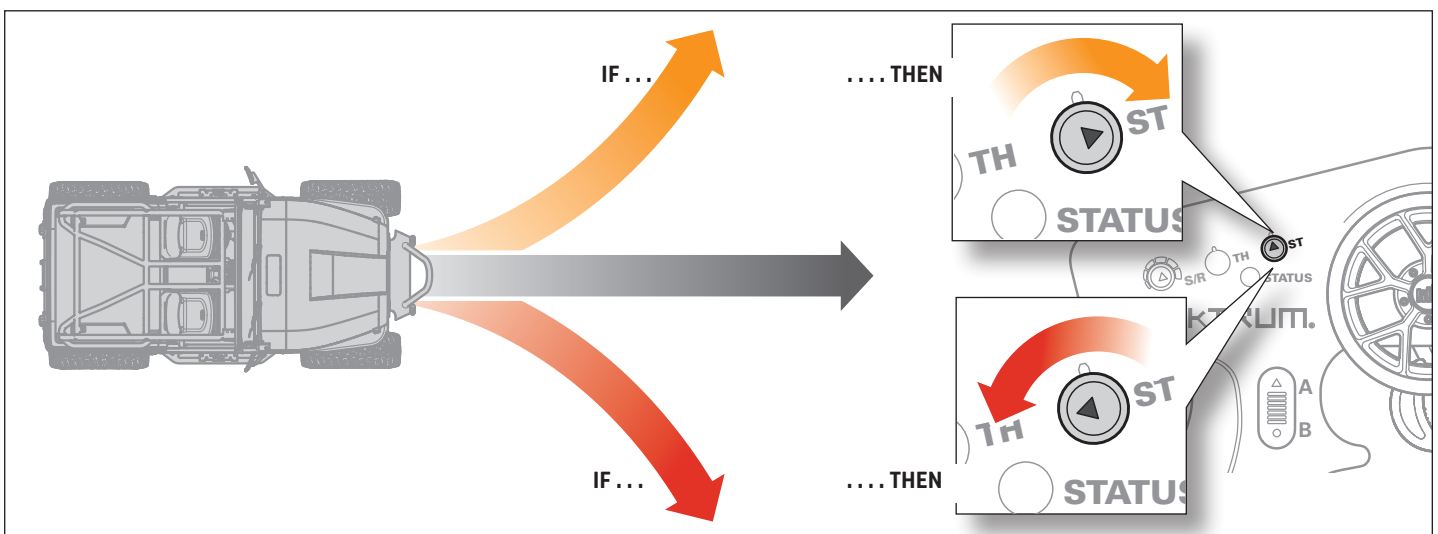
## 10. Throttle Limiter



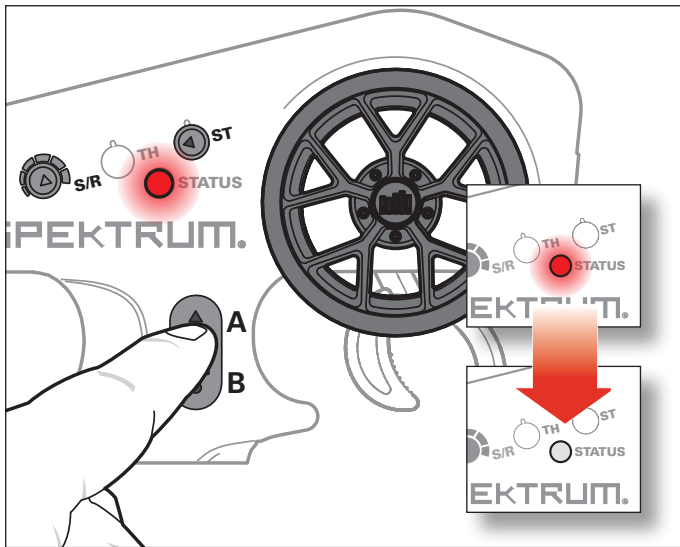
## 11. Steering Rate



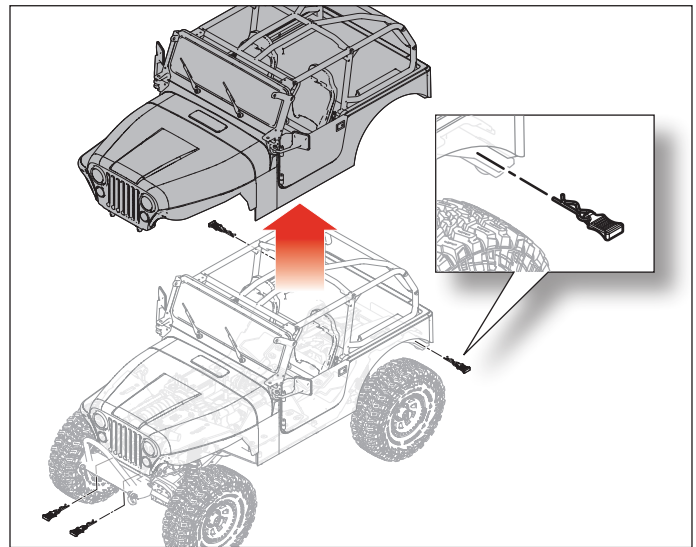
## 12. Using Steering Trim to Correct Drift



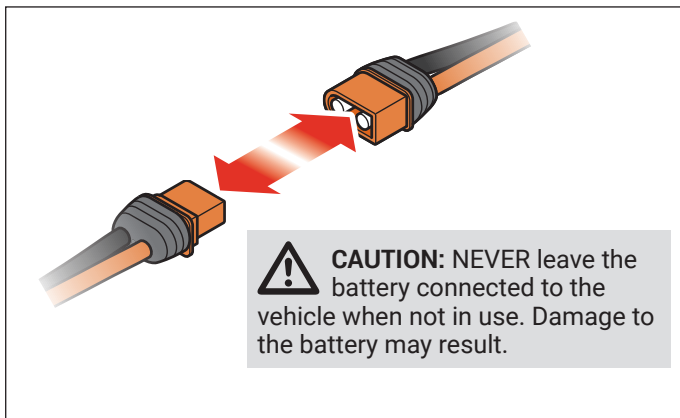
### 13. Dig Function



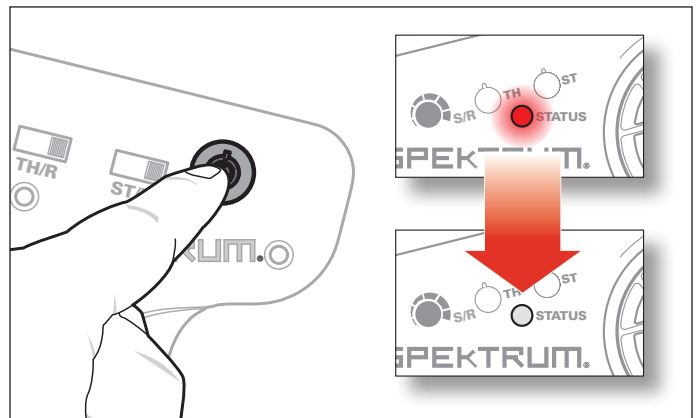
### 14. Remove the Body



### 15. Disconnect the Vehicle Battery



### 16. Power Off the Transmitter



WWW.AXIALADVENTURE.COM

facebook.com/axialinc | instagram.com/axialracing | twitter.com/axialrc  
youtube.com/axialvideos | flickr.com/axialrc

Scan the QR code and select the Manuals and Support quick links from the product page for the most up-to-date manual information.



AXI03008V2

©2026 Horizon Hobby, LLC. Axial, the Axial logo, SCX10, Dynamite, and the Horizon Hobby logo are trademarks or registered trademarks of Horizon Hobby, LLC. The Spektrum trademark is used with permission of Bachmann Industries, Inc. Raceline, Micky Thompson, and Gen-Right are property of their respective owners and are used with permission or under license by Horizon Hobby, LLC. Jeep, the Jeep grille and related logos, vehicle model names and trade dress are trademarks of FCA US LLC and used under license by Horizon Hobby, LLC. ©2026 FCA US LLC.

Created 12/25

AXI03008V2

1278698