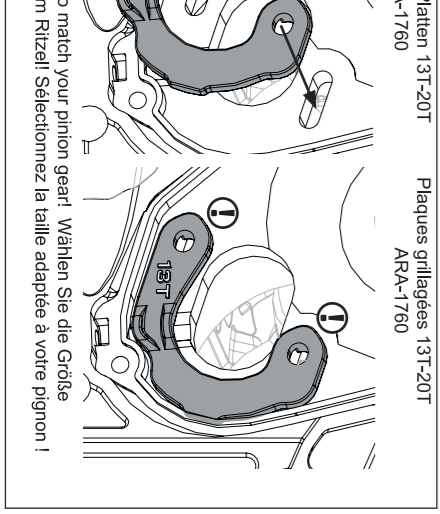
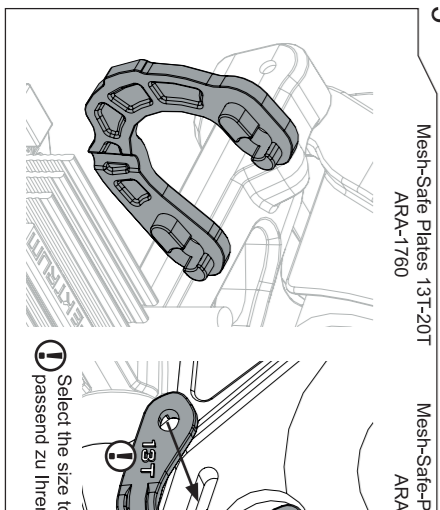
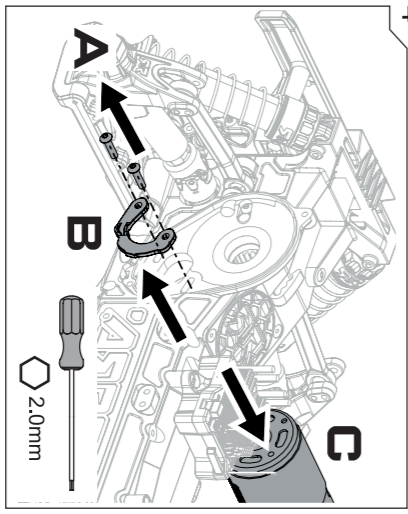
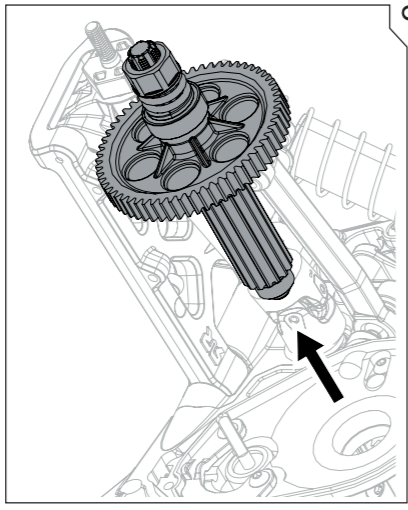
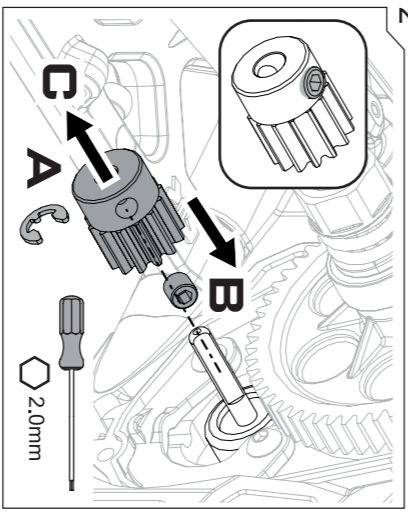
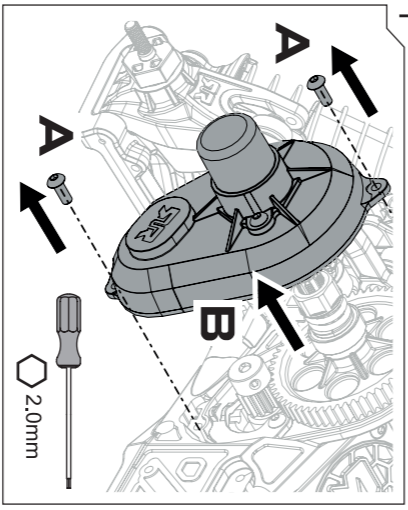




HOW TO... WIE... COMMENT...
 Change the Pinion / Motor. Wechselt man das Motoritzelalen Motor. Changez le pignon / Moteur.



Ⓜ **TECHNICAL PACK!**
 Ⓧ **TECHNISCHES PACK!**
 Ⓡ **PACK TECHNIQUE!**

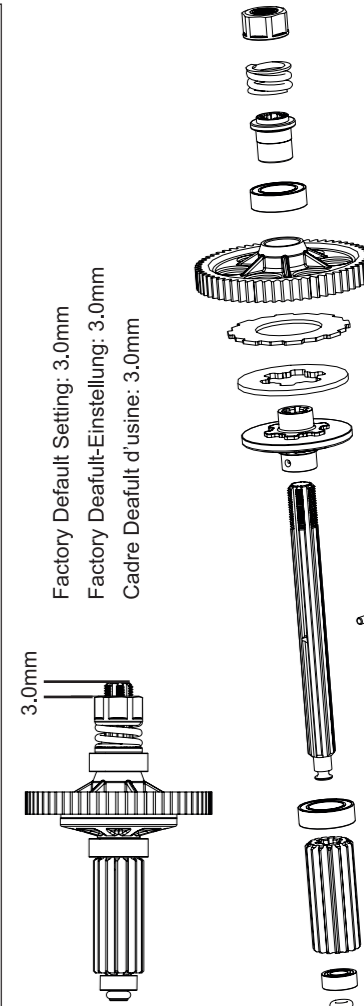
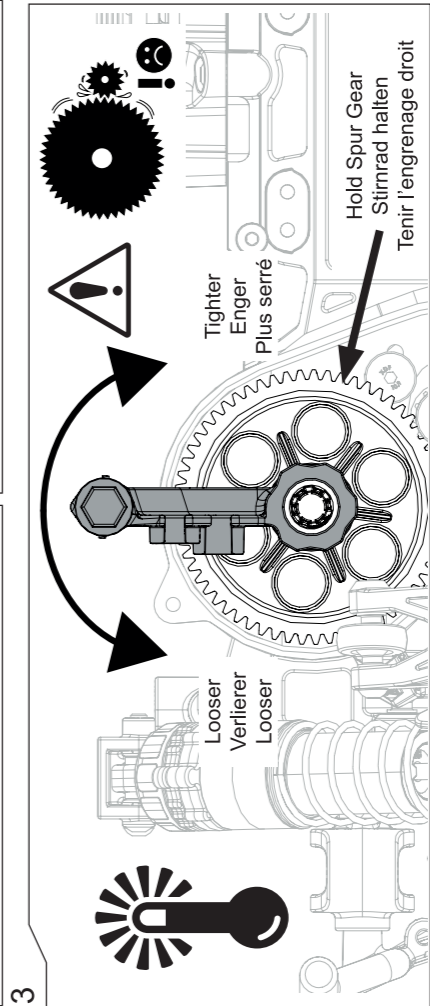
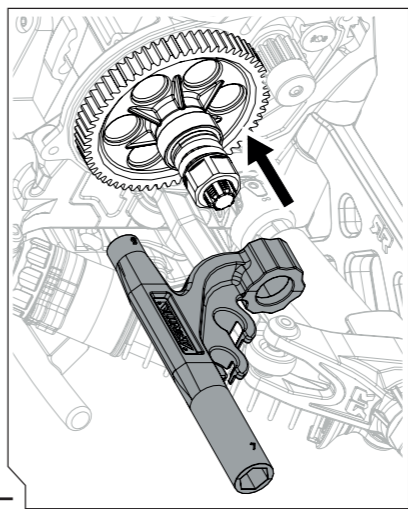
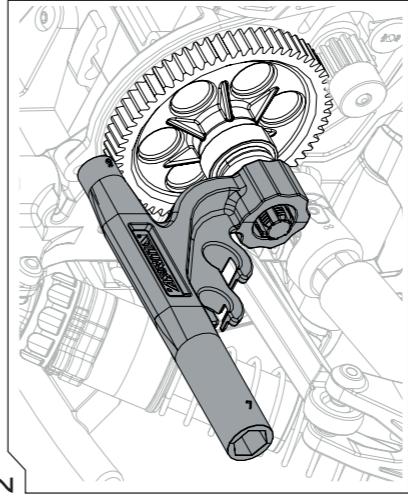
ARRMA
23S BLX
27
270 3S POWER



ARRMA RC is a trade name of Horizon Hobby Ltd. Horizon Hobby Ltd. is a subsidiary of Horizon Hobby, LLC. ARRMA, the ARRMA logo, Smart and SLT2 are trademarks or registered trademarks of Horizon Hobby, LLC. The Freedom Flyer® trademark and associated marks are the property of Tomfoolery Motorsports, Inc. and are used under license. The Spektrum trademark is used with permission of Bachmann Industries, Inc.



HOW TO... WIE... COMMENT...
 Set the Slipper Clutch. Stellt man die Rutschkupplung ein. Réglez de l'embrayage à glissement limité (Slipper)



6 M3x1.2mm Motor Button Head Screw (AR701404) x2
 2.0mm

