

1 Charge the Flight Battery (~75 min)

Charger LED codes

- Power connected
- Charging
- Balancing
- Charging complete

CAUTION: All instructions and warnings must be followed exactly. Mishandling of Li-Po batteries can result in a fire, personal injury and/or property damage.

2 Program Your Transmitter

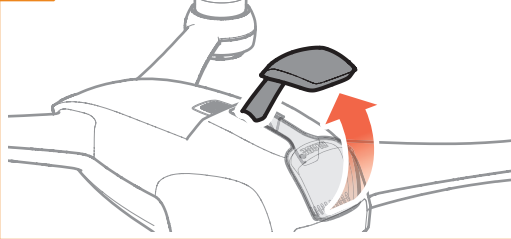
Refer to the Radio Setup video at www.KnowChroma.com to program your Spektrum™ DSM2®/DSMX® technology compatible transmitter.

NOTICE: This aircraft is not compatible with the Blade ST-10+ Personal Ground Station Transmitter.

3 Install the Landing Gear Legs

Install the landing gear legs by sliding them into the bottom of the quadcopter until they lock in position.

4 Extend the GPS Mast



5 Install the propellers

- The props and motor pods have a letter code, either "A" or "B" molded in. Match the "A" props to the "A" motor pods and the "B" props to the "B" motor pods.
- The "A" props thread on counter-clockwise.
- The "B" props thread on clockwise.
- Tighten the props only finger tight. DO NOT overtighten.

6 Assemble the GoPro® Compatible Static Mount

The included static camera mount is compatible with GoPro® HERO 3 and 4 cameras.

The Blade® Chroma™ quadcopter includes two adhesive-backed, metal-foil sheets to provide GoPro® users with an extra measure of RF-shielding.

- Fold the inner "T" sheet (A) around the camera, with the metallic side facing away from the camera, so it covers the top, sides and back. **DO NOT peel off the backing.**
- Peel the backing off the rectangular sheet (B).
- Wrap sheet B around the back of sheet A, sealing the rear edges and holding the sides together.
- The shield is removable and is held in place by the camera mount. The front and bottom of the camera are left unshielded to allow any RF noise to radiate out and away from the quadcopter.
- Install the camera mount to the isolation bracket using the provided thumb screw and nut.

CAUTION: Do not use a GoPro® camera in the camera mount without using the copper foil shielding.

CAUTION: The GoPro® Wi-Fi will interfere with the quadcopter receiver and may cause a loss of signal and crash. Follow the camera instructions to turn the Wi-Fi off before attempting to power on the quadcopter. Crash damage is not covered under warranty.

7 Install the Camera Mount Assembly to the Mounting Rail

- Slide the assembled camera mount onto the pre-installed rail until it locks.

8 Install the Flight Battery

- Slide the fully charged battery in until it locks.
- Remove the battery by pressing the locking tab and sliding the battery to the rear of the quadcopter.

9 Power Up

For instructions on how to bind the Chroma to your transmitter, see the included Reference Guide or the online video at www.KnowChroma.com.

- Place the quadcopter outdoors on a flat, level surface.
- Set the transmitter flight mode switch to Smart Mode.
- Power on the transmitter.
- Power on the Chroma.
- Complete the Compass Calibration prior to flight. For instructions, see the included Reference Guide or the online video at www.KnowChroma.com.
- The LEDs will show green, rotating counter-clockwise around the motor pods while the quadcopter acquires a GPS signal. The front LEDs will show white and the rear will show green when the quadcopter is ready for flight.

10 Understanding the Flight Modes

Smart Mode

- A green LED cycles around the motor pods counter-clockwise until GPS is acquired
- Once GPS is acquired, the front LEDs are white and the rear are green
- Intended for the beginner pilot
- Maximum distance of 200 m from the pilot

For best results while using Smart Mode, it is recommended that the pilot always turn to face the quadcopter while flying.

Right transmitter stick = Stick commands move the Chroma™ quadcopter relative to the pilot location

AP Mode

- A purple LED cycles around the motor pods counter-clockwise until GPS is acquired
- Once GPS is acquired, the front LEDs are white and the rear are purple
- Intended for the intermediate pilot
- Maximum distance of 200 m from the pilot

Right transmitter stick = Stick commands move the Chroma™ quadcopter relative to its orientation

NOTICE: If the Chroma™ quadcopter loses GPS signal while flying in either Smart or AP Mode, the LEDs will flash rapidly for 2 seconds and then once every second. The quadcopter will default to a stable flight mode with similar control response as AP Mode. Return Home will not function. Please familiarize yourself with the controls in AP Mode to ensure a safe return of the quadcopter in the event of GPS signal loss.

For information on additional flight modes, see the online video at www.KnowChroma.com.

11 Placement at startup

CAUTION: When the home location is set, the quadcopter must be approximately 16 feet (5 meters) from where the pilot will stand during flight, pointing away from the pilot. If the aircraft is pointed in any other direction, the SAFE Circle™ feature will not function as expected and may result in personal injury or damage to property. Once the aircraft's motors are started, do not change your position.

12a Motor Start

12b Motor Stop

After landing, hold the motor stop button, programmed during the transmitter setup, to stop the motors.

If the quadcopter is **less than 20 ft above the original starting altitude**, hold the stop button for **1.5 seconds** to stop the motors.

If the quadcopter is **more than 20 ft above the original starting altitude**, hold the stop button for **3 seconds** to stop the motors.

WARNING: Stopping the motors while the quadcopter is still in flight will cause the quadcopter to crash. Crash damage is not covered under warranty.

To restart the motors, position the transmitter sticks as shown in **step 12a**.

13 Throttle control

- To maintain the current altitude, allow the left transmitter stick to return to center.

Climb

Descend

14 Flying and Landing

NOTICE: If you begin to lose control, release the control sticks and the model will self-level.

Pay close attention to the LEDs while flying. If at any time the LEDs indicate the flight battery voltage is low, as shown in the LED reference guide, land the quadcopter immediately and charge the flight battery.

To land, either slowly lower the left transmitter stick to descend and land, then stopping the motors as shown in **step 12b**:

or select "Return Home" on the flight mode switch on your transmitter.

The quadcopter will return to the start position, land and stop the motors. To cancel the return home function prior to the quadcopter landing, switch to Smart or AP Mode on the flight mode switch on your transmitter.

NOTICE: Return home will only function if the quadcopter has GPS lock.

15 After Your Flight

NOTICE

All instructions, warranties and other collateral documents are subject to change at the sole discretion of Horizon Hobby, LLC. For up-to-date product literature, visit horizonhobby.com and click on the support tab for this product.

Meaning of Special Language

The following terms are used throughout the product literature to indicate various levels of potential harm when operating this product:

NOTICE: Procedures, which if not properly followed, create a possibility of physical property damage AND a little or no possibility of injury.

CAUTION: Procedures, which if not properly followed, create the probability of physical property damage AND a possibility of serious injury.

WARNING: Procedures, which if not properly followed, create the probability of property damage, collateral damage, and serious injury OR create a high probability of superficial injury.

WARNING: Read the ENTIRE instruction manual to become familiar with the features of the product before operating. Failure to operate the product correctly can result in damage to the product, personal property and cause serious injury.

This is a sophisticated hobby product. It must be operated with caution and common sense and requires some basic mechanical ability. Failure to operate this Product in a safe and responsible manner could result in injury or damage to the product or other property. This product is not intended for use by children without direct adult supervision. Do not use with incompatible components or alter this product in any way outside of the instructions provided by Horizon Hobby, LLC. This manual contains instructions for safety, operation and maintenance. It is essential to read and follow all the instructions and warnings in the manual, prior to assembly, setup or use, in order to operate correctly and avoid damage or serious injury.

Age Recommendation: Not for children under 14 years. This is not a toy.

CAUTION: The ESCs for the Chroma quadcopter are not compatible with any other product, and the Chroma is not compatible with any other ESCs. Use of any other ESCs on the Chroma quadcopter will cause a crash, which may result in property damage and/or personal injury.

WARNING AGAINST COUNTERFEIT PRODUCTS: If you ever need to replace a Spektrum component found in a Horizon Hobby product, always purchase from Horizon Hobby, LLC or a Horizon Hobby authorized dealer to ensure authentic high-quality Spektrum product. Horizon Hobby, LLC disclaims all support and warranty with regards, but not limited to, compatibility and performance of counterfeit products or products claiming compatibility with DSM or Spektrum.

General Safety Precautions and Warnings

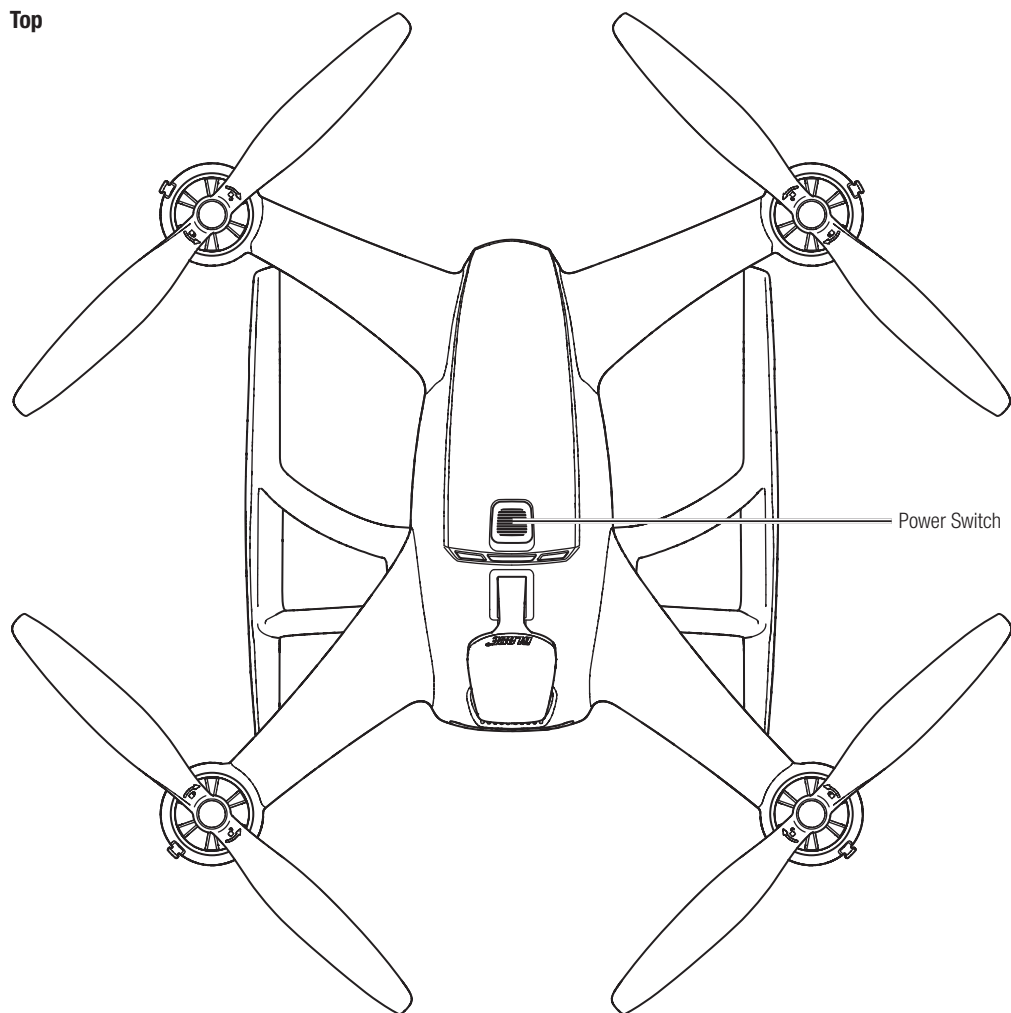
- Always keep a safe distance in all directions around your model to avoid collisions or injury. This model is controlled by a radio signal subject to interference from many sources outside your control. Interference can cause momentary loss of control.
- Always operate your model in open spaces away from full-size vehicles, traffic and people.
- Always carefully follow the directions and warnings for this and any optional support equipment (chargers, rechargeable battery packs, etc.).
- Always keep all chemicals, small parts and anything electrical out of the reach of children.
- Always avoid water exposure to all equipment not specifically designed and protected for this purpose. Moisture causes damage to electronics.
- Never place any portion of the model in your mouth as it could cause serious injury or even death.
- Never operate your model with low transmitter batteries.
- Always keep aircraft in sight and under control.
- Always move the throttle fully down at rotor strike.
- Always use fully charged batteries.
- Always keep transmitter powered on while aircraft is powered.
- Always remove batteries before disassembly.
- Always keep moving parts clean.
- Always keep parts dry.
- Always let parts cool after use before touching.
- Always remove batteries after use.
- Never operate aircraft with damaged wiring.
- Never touch moving parts.

Charging Warnings

WARNING: Failure to exercise caution while using this product and comply with the following warnings could result in product malfunction, electrical issues, excessive heat, FIRE, and ultimately injury and property damage.

- **NEVER LEAVE CHARGING BATTERIES UNATTENDED.**
- **NEVER CHARGE BATTERIES OVERNIGHT.**
- Never attempt to charge dead, damaged or wet battery packs.
- Never attempt to charge a battery pack containing different types of batteries.
- Never allow children under 14 years of age to charge battery packs.
- Never charge batteries in extremely hot or cold places or place in direct sunlight.
- Never charge a battery if the cable has been pinched or shorted.
- Never connect the charger if the power cable has been pinched or shorted.
- Never attempt to dismantle the charger or use a damaged charger.
- Never drop charger or batteries.
- Always use only rechargeable Li-Po batteries designed for use with this type of charger.
- Always inspect the battery before charging.
- Always keep the battery away from any material that could be affected by heat.
- Always monitor the charging area and have a fire extinguisher available at all times.
- Always end the charging process if the battery becomes hot to the touch or starts to change form (swell) during the charge process.
- Always connect the charge cable to the charger first, then connect the battery to avoid short circuit between the charge leads. Reverse the sequence when disconnecting.
- Always connect the positive red leads (+) and negative black leads (-) correctly.
- Always disconnect the battery after charging, and let the charger cool between charges.
- Always charge in a well-ventilated area.
- Always terminate all processes and contact Horizon Hobby if the product malfunctions.

Top



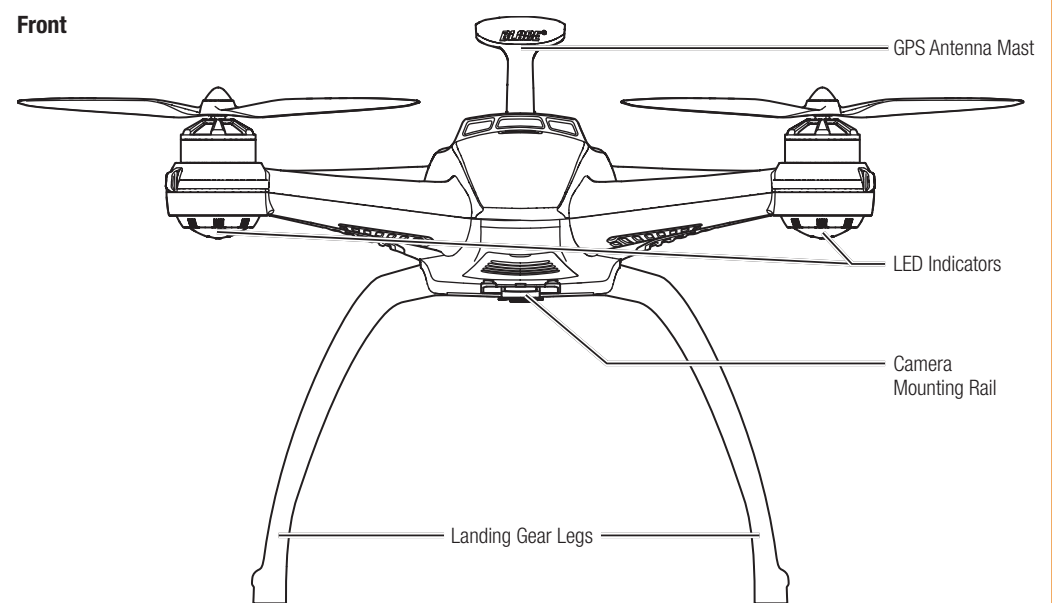
BLADE®



BNF™

www.KnowChroma.com

Front



Back

